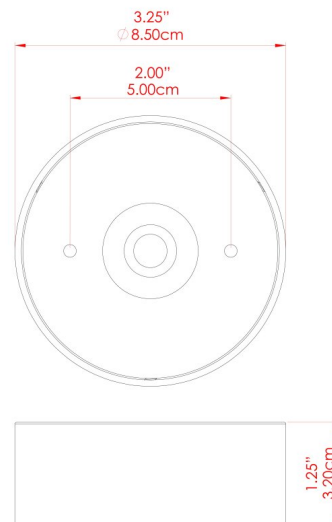
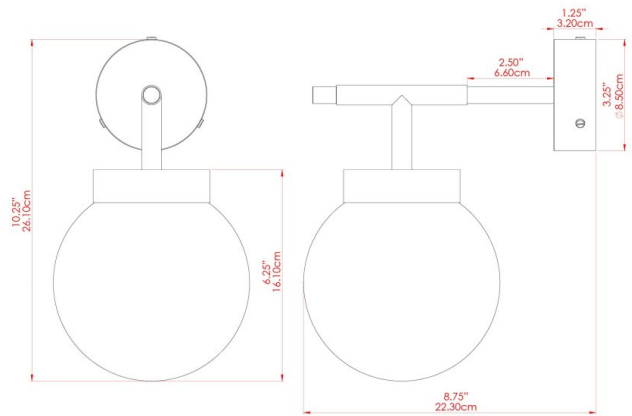


MATERIAL	Brass   Glass
HEIGHT	30cm
WIDTH   DIAMETER	15cm
LENGTH   PROJECTION	21cm
WEIGHT	1.4 kg
LAMPHOLDER	E27
MAX WATTAGE	40W
VOLTAGE	220/240v
IP RATING	IP65
CLASS PROTECTION	Class I
SHADE	GL166
FLEX   BAR   CHAIN LENGTH	n/a
CABLE TYPE	-

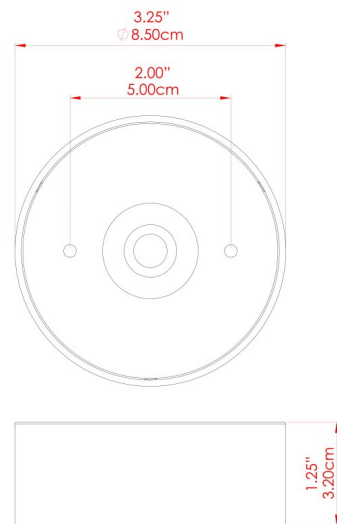
FIXING BRACKET: MLWB13 | Antique Brass

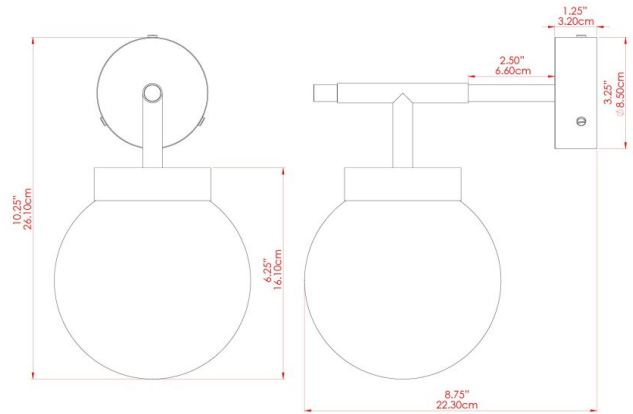




MATERIAL	Brass   Glass
HEIGHT	30cm
WIDTH   DIAMETER	15cm
LENGTH   PROJECTION	21cm
WEIGHT	1.4 kg
LAMPHOLDER	E27
MAX WATTAGE	40W
VOLTAGE	220/240v
IP RATING	IP65
CLASS PROTECTION	Class I
SHADE	GL167
FLEX   BAR   CHAIN LENGTH	n/a
CABLE TYPE	-

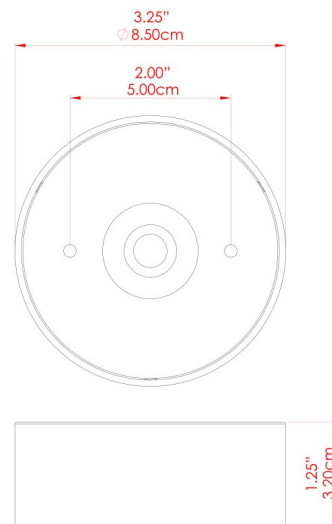
FIXING BRACKET: MLWB13 | Antique Brass

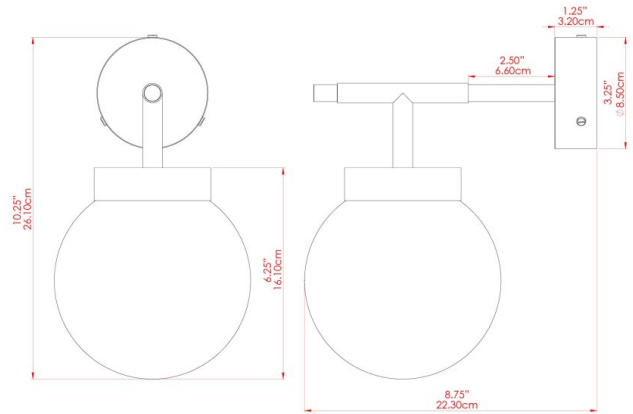




MATERIAL	Brass   Glass
HEIGHT	30cm
WIDTH   DIAMETER	15cm
LENGTH   PROJECTION	21cm
WEIGHT	1.4 kg
LAMPHOLDER	E27
MAX WATTAGE	40W
VOLTAGE	220/240v
IP RATING	IP65
CLASS PROTECTION	Class I
SHADE	GL166
FLEX   BAR   CHAIN LENGTH	n/a
CABLE TYPE	-

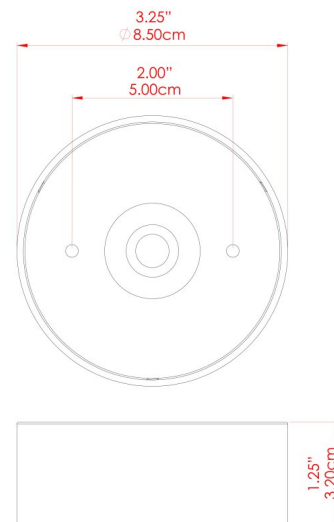
FIXING BRACKET: MLWB13 | Antique Silver





MATERIAL	Brass   Glass
HEIGHT	30cm
WIDTH   DIAMETER	15cm
LENGTH   PROJECTION	21cm
WEIGHT	1.4 kg
LAMPHOLDER	E27
MAX WATTAGE	40W
VOLTAGE	220/240v
IP RATING	IP65
CLASS PROTECTION	Class I
SHADE	GL167
FLEX   BAR   CHAIN LENGTH	n/a
CABLE TYPE	-

### FIXING BRACKET: MLWB13 | Antique Silver

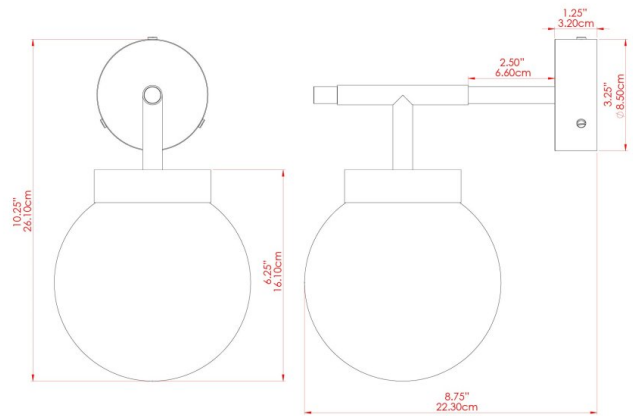


WWW.MULLANLIGHTING.COM

#### Product Notes:

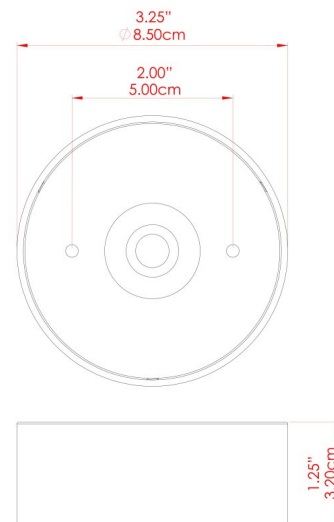
1) Bulbs not included. 2) Dimensions do not include bulbs. 3) All products are individually made-to-order and therefore may differ slightly within manufacturing tolerances. 4) Cable / chain can be shortened during installation. Longer cable / chain lengths available on request. 5) Additional colour finishes may be available on request. 6) Refer to our website for a full list of terms and conditions.

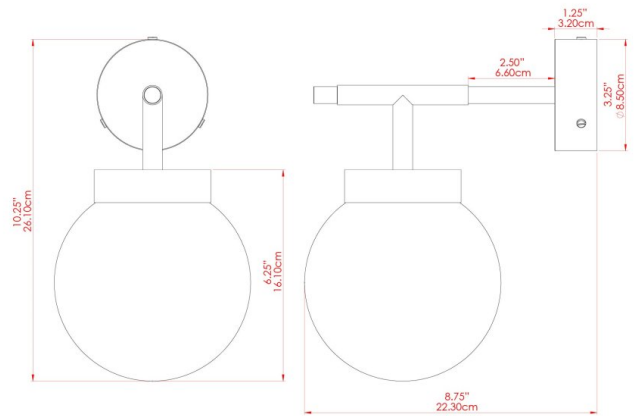




MATERIAL	Brass   Glass
HEIGHT	30cm
WIDTH   DIAMETER	15cm
LENGTH   PROJECTION	21cm
WEIGHT	1.4 kg
LAMPHOLDER	E27
MAX WATTAGE	40W
VOLTAGE	220/240v
IP RATING	IP65
CLASS PROTECTION	Class I
SHADE	GL166
FLEX   BAR   CHAIN LENGTH	n/a
CABLE TYPE	-

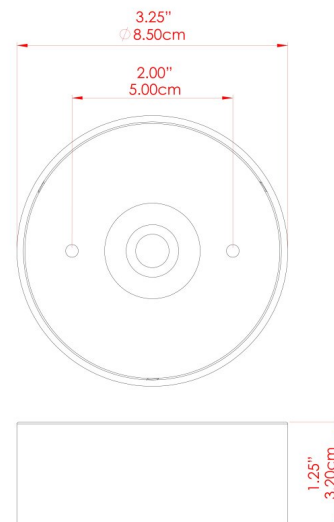
FIXING BRACKET: MLWB13 | Natural Brass

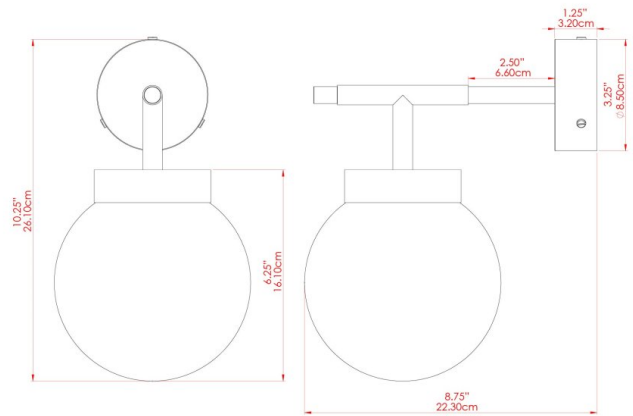




MATERIAL	Brass   Glass
HEIGHT	30cm
WIDTH   DIAMETER	15cm
LENGTH   PROJECTION	21cm
WEIGHT	1.4 kg
LAMPHOLDER	E27
MAX WATTAGE	40W
VOLTAGE	220/240v
IP RATING	IP65
CLASS PROTECTION	Class I
SHADE	GL167
FLEX   BAR   CHAIN LENGTH	n/a
CABLE TYPE	-

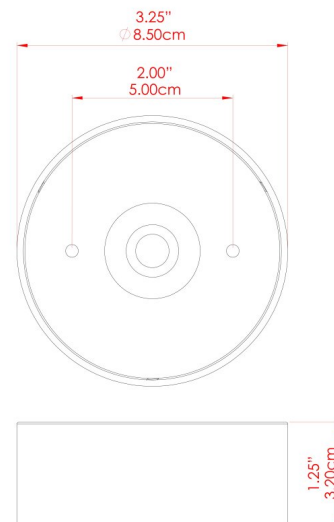
FIXING BRACKET: MLWB13 | Natural Brass

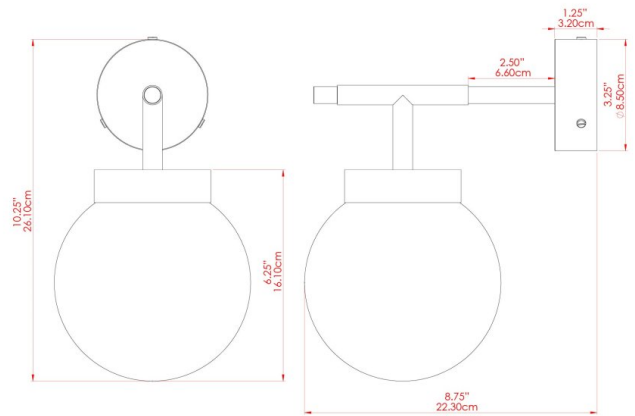




MATERIAL	Brass   Glass
HEIGHT	30cm
WIDTH   DIAMETER	15cm
LENGTH   PROJECTION	21cm
WEIGHT	1.4 kg
LAMPHOLDER	E27
MAX WATTAGE	40W
VOLTAGE	220/240v
IP RATING	IP65
CLASS PROTECTION	Class I
SHADE	GL166
FLEX   BAR   CHAIN LENGTH	n/a
CABLE TYPE	-

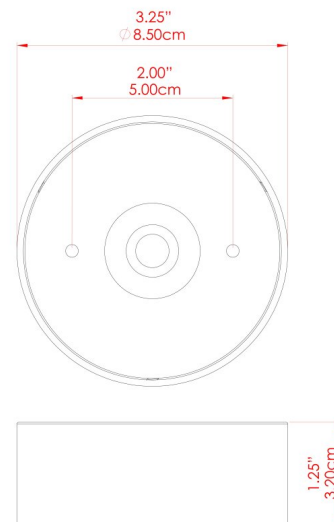
FIXING BRACKET: MLWB13 | Polished Brass





MATERIAL	Brass   Glass
HEIGHT	30cm
WIDTH   DIAMETER	15cm
LENGTH   PROJECTION	21cm
WEIGHT	1.4 kg
LAMPHOLDER	E27
MAX WATTAGE	40W
VOLTAGE	220/240v
IP RATING	IP65
CLASS PROTECTION	Class I
SHADE	GL167
FLEX   BAR   CHAIN LENGTH	n/a
CABLE TYPE	-

FIXING BRACKET: MLWB13 | Polished Brass

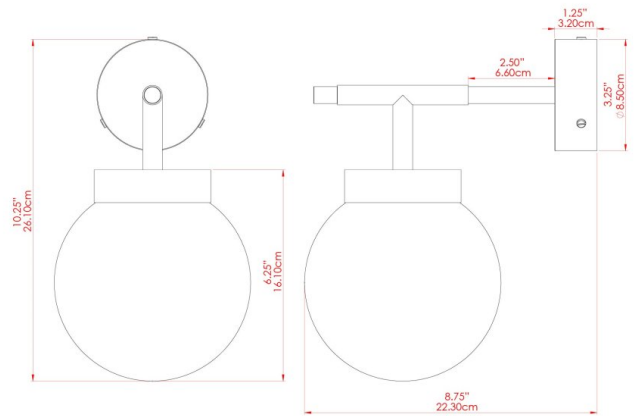


WWW.MULLANLIGHTING.COM

**Product Notes:**

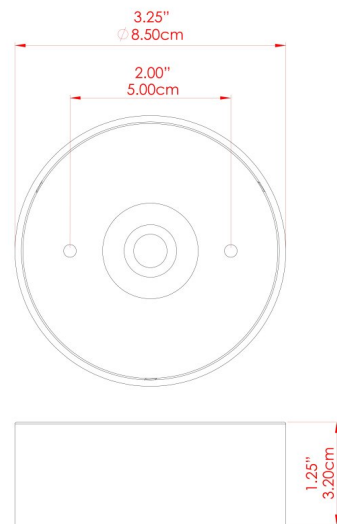
1) Bulbs not included. 2) Dimensions do not include bulbs. 3) All products are individually made-to-order and therefore may differ slightly within manufacturing tolerances. 4) Cable / chain can be shortened during installation. Longer cable / chain lengths available on request. 5) Additional colour finishes may be available on request. 6) Refer to our website for a full list of terms and conditions.





MATERIAL	Brass   Glass
HEIGHT	30cm
WIDTH   DIAMETER	15cm
LENGTH   PROJECTION	21cm
WEIGHT	1.4 kg
LAMPHOLDER	E27
MAX WATTAGE	40W
VOLTAGE	220/240v
IP RATING	IP65
CLASS PROTECTION	Class I
SHADE	GL166
FLEX   BAR   CHAIN LENGTH	n/a
CABLE TYPE	-

FIXING BRACKET: MLWB13 | Satin Brass

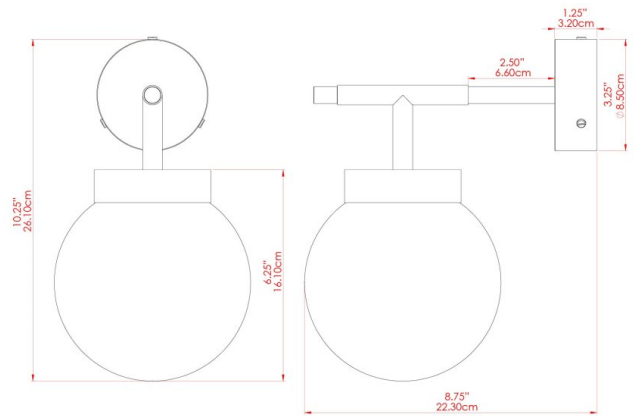


WWW.MULLANLIGHTING.COM

**Product Notes:**

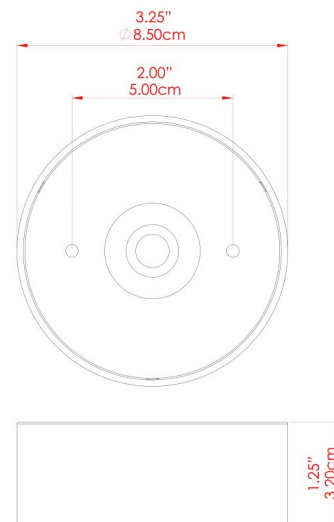
1) Bulbs not included. 2) Dimensions do not include bulbs. 3) All products are individually made-to-order and therefore may differ slightly within manufacturing tolerances. 4) Cable / chain can be shortened during installation. Longer cable / chain lengths available on request. 5) Additional colour finishes may be available on request. 6) Refer to our website for a full list of terms and conditions.





MATERIAL	Brass   Glass
HEIGHT	30cm
WIDTH   DIAMETER	15cm
LENGTH   PROJECTION	21cm
WEIGHT	1.4 kg
LAMPHOLDER	E27
MAX WATTAGE	40W
VOLTAGE	220/240v
IP RATING	IP65
CLASS PROTECTION	Class I
SHADE	GL167
FLEX   BAR   CHAIN LENGTH	n/a
CABLE TYPE	-

FIXING BRACKET: MLWB13 | Satin Brass



WWW.MULLANLIGHTING.COM

**Product Notes:**

1) Bulbs not included. 2) Dimensions do not include bulbs. 3) All products are individually made-to-order and therefore may differ slightly within manufacturing tolerances. 4) Cable / chain can be shortened during installation. Longer cable / chain lengths available on request. 5) Additional colour finishes may be available on request. 6) Refer to our website for a full list of terms and conditions.

