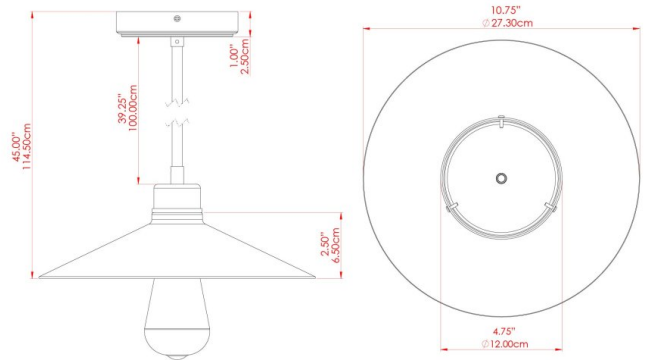


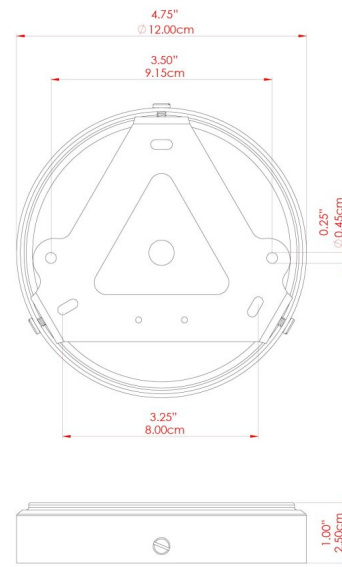
# PYRUS Ceramic Pendant

# MLCMP016ANTBRS Antique Brass



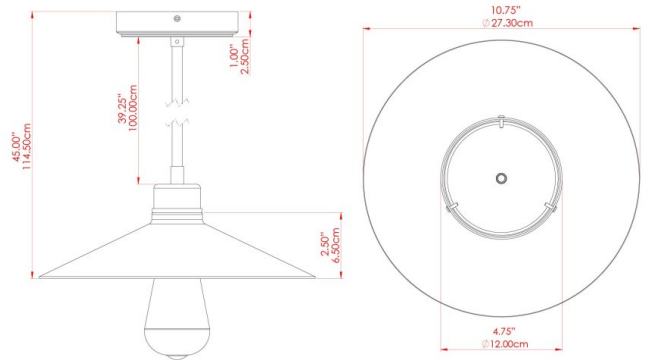
MATERIAL	Brass
HEIGHT	10cm
WIDTH   DIAMETER	28cm
LENGTH   PROJECTION	n/a
WEIGHT	1.1 kg
LAMPHOLDER	E27
MAX WATTAGE	40W
VOLTAGE	220/240v
IP RATING	IP20
CLASS PROTECTION	Class I
SHADE	MLCS012
FLEX   BAR   CHAIN LENGTH	100cm
CABLE TYPE	MLCA047   Brown Fabric Braided Cable   2 Core Round

### FIXING BRACKET: MLROSE39 | Antique Brass



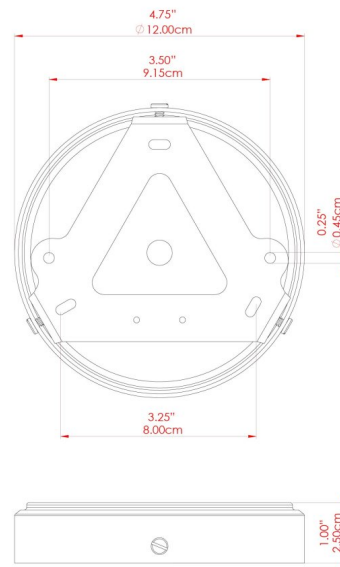
# PYRUS Ceramic Pendant

# MLCMP016ANTSLV Antique Silver



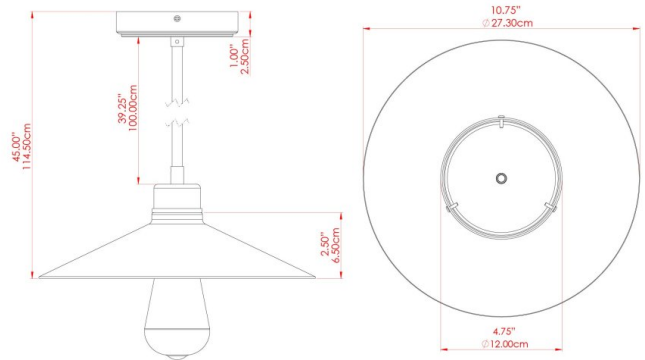
MATERIAL	Brass
HEIGHT	10cm
WIDTH   DIAMETER	28cm
LENGTH   PROJECTION	n/a
WEIGHT	1.1 kg
LAMPHOLDER	E27
MAX WATTAGE	40W
VOLTAGE	220/240v
IP RATING	IP20
CLASS PROTECTION	Class I
SHADE	MLCS012
FLEX   BAR   CHAIN LENGTH	100cm
CABLE TYPE	MLCA028   Black Fabric Braided Cable   2 Core Round

## FIXING BRACKET: MLROSE39 | Antique Silver



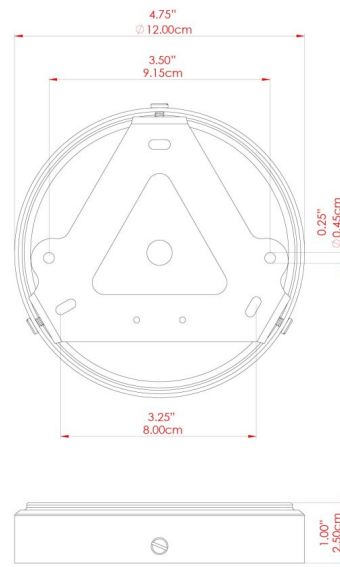
# PYRUS Ceramic Pendant

# MLCMP016POLBRS Polished Brass



MATERIAL	Brass
HEIGHT	10cm
WIDTH   DIAMETER	28cm
LENGTH   PROJECTION	n/a
WEIGHT	1.1 kg
LAMPHOLDER	E27
MAX WATTAGE	40W
VOLTAGE	220/240v
IP RATING	IP20
CLASS PROTECTION	Class I
SHADE	MLCS012
FLEX   BAR   CHAIN LENGTH	100cm
CABLE TYPE	MLCA028   Black Fabric Braided Cable   2 Core Round

## FIXING BRACKET: MLROSE39 | Polished Brass

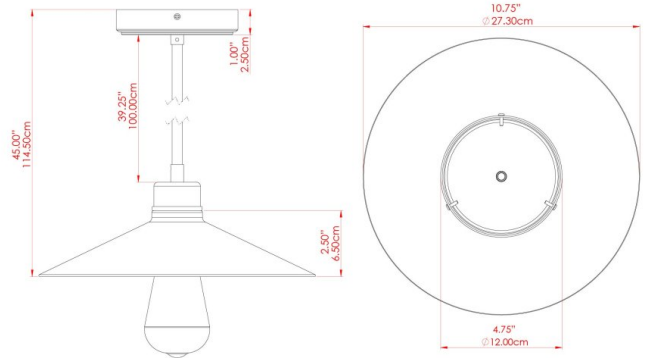


Product Notes:  
 1) Bulbs not included. 2) Dimensions do not include bulbs. 3) All products are individually made-to-order and therefore may differ slightly within manufacturing tolerances. 4) Cable / chain can be shortened during installation. Longer cable / chain lengths available on request. 5) Additional colour finishes may be available on request. 6) Refer to our website for a full list of terms and conditions.



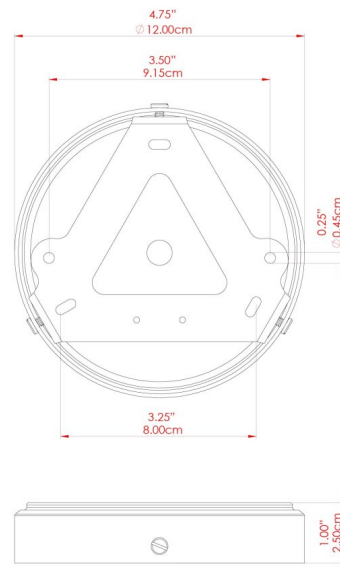
# PYRUS Ceramic Pendant

# MLCMP016POLCOP Polished Copper



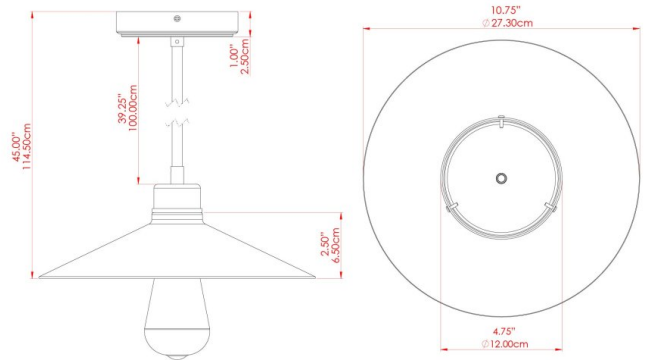
MATERIAL	Brass
HEIGHT	10cm
WIDTH   DIAMETER	28cm
LENGTH   PROJECTION	n/a
WEIGHT	1.1 kg
LAMPHOLDER	E27
MAX WATTAGE	40W
VOLTAGE	220/240v
IP RATING	IP20
CLASS PROTECTION	Class I
SHADE	MLCS012
FLEX   BAR   CHAIN LENGTH	100cm
CABLE TYPE	MLCA028   Black Fabric Braided Cable   2 Core Round

### FIXING BRACKET: MLROSE39 | Polished Copper



# PYRUS Ceramic Pendant

MLCMP016SATBRS Satin Brass



MATERIAL	Brass
HEIGHT	10cm
WIDTH   DIAMETER	28cm
LENGTH   PROJECTION	n/a
WEIGHT	1.1 kg
LAMPHOLDER	E27
MAX WATTAGE	40W
VOLTAGE	220/240v
IP RATING	IP20
CLASS PROTECTION	Class I
SHADE	MLCS012
FLEX   BAR   CHAIN LENGTH	100cm
CABLE TYPE	MLCA028   Black Fabric Braided Cable   2 Core Round

## FIXING BRACKET: MLROSE39 | Satin Brass

