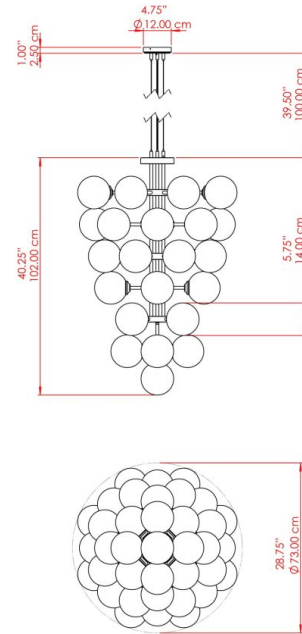


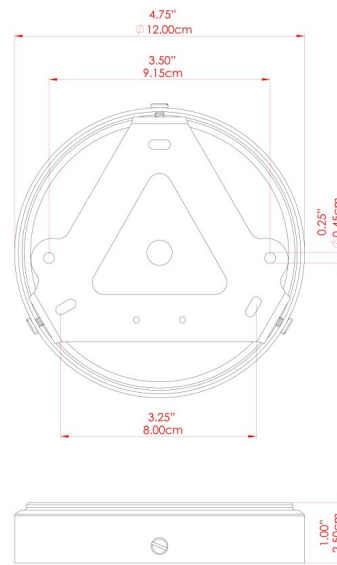
MERLOT Chandelier

MLF372ANTBRS Antique Brass



MATERIAL	Brass Steel Glass
HEIGHT	102cm
WIDTH DIAMETER	73cm
LENGTH PROJECTION	73cm
WEIGHT	20.7 kg
LAMPHOLDER	G9
MAX WATTAGE	6.5W
VOLTAGE	220/240v
IP RATING	IP20
CLASS PROTECTION	Class I
SHADE	GL044F
FLEX BAR CHAIN LENGTH	100cm
CABLE TYPE	MLCA037 Black PVC Flexible Cable 3 Core

FIXING BRACKET: MLWB17

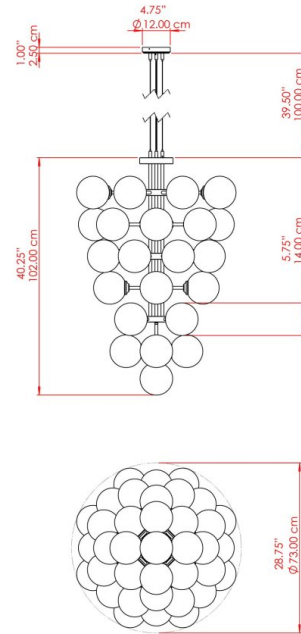


Product Notes:
 1) Bulbs not included. 2) Dimensions do not include bulbs. 3) All products are individually made-to-order and therefore may differ slightly within manufacturing tolerances. 4) Cable / chain can be shortened during installation. Longer cable / chain lengths available on request. 5) Additional colour finishes may be available on request. 6) Refer to our website for a full list of terms and conditions.



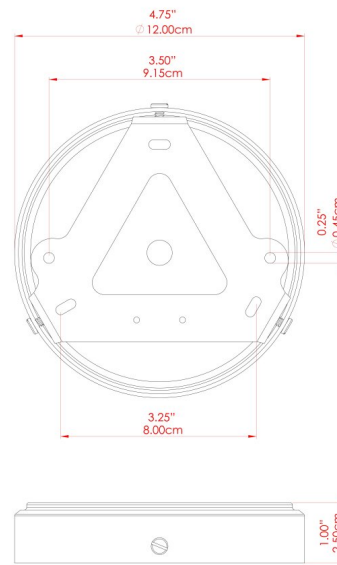
MERLOT Chandelier

MLF372ANTSLV Antique Silver



MATERIAL	Brass Steel Glass
HEIGHT	102cm
WIDTH DIAMETER	73cm
LENGTH PROJECTION	73cm
WEIGHT	20.7 kg
LAMPHOLDER	G9
MAX WATTAGE	6.5W
VOLTAGE	220/240v
IP RATING	IP20
CLASS PROTECTION	Class I
SHADE	GL044F
FLEX BAR CHAIN LENGTH	100cm
CABLE TYPE	MLCA037 Black PVC Flexible Cable 3 Core

FIXING BRACKET: MLWB17

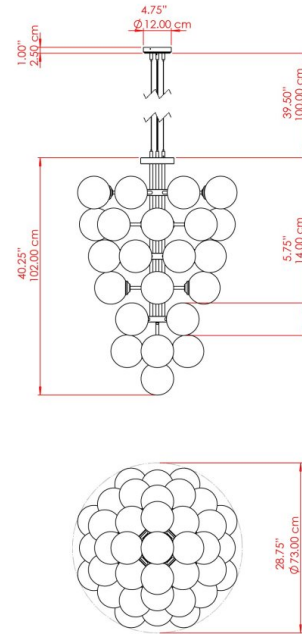


Product Notes:
 1) Bulbs not included. 2) Dimensions do not include bulbs. 3) All products are individually made-to-order and therefore may differ slightly within manufacturing tolerances. 4) Cable / chain can be shortened during installation. Longer cable / chain lengths available on request. 5) Additional colour finishes may be available on request. 6) Refer to our website for a full list of terms and conditions.



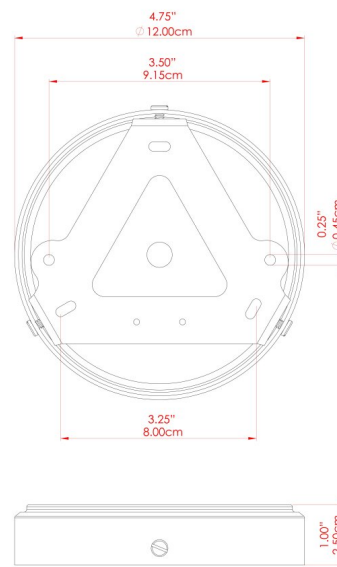
MERLOT Chandelier

MLF372POLBRS Polished Brass



MATERIAL	Brass Steel Glass
HEIGHT	102cm
WIDTH DIAMETER	73cm
LENGTH PROJECTION	73cm
WEIGHT	20.7 kg
LAMPHOLDER	G9
MAX WATTAGE	6.5W
VOLTAGE	220/240v
IP RATING	IP20
CLASS PROTECTION	Class I
SHADE	GL044F
FLEX BAR CHAIN LENGTH	100cm
CABLE TYPE	MLCA037 Black PVC Flexible Cable 3 Core

FIXING BRACKET: MLWB17

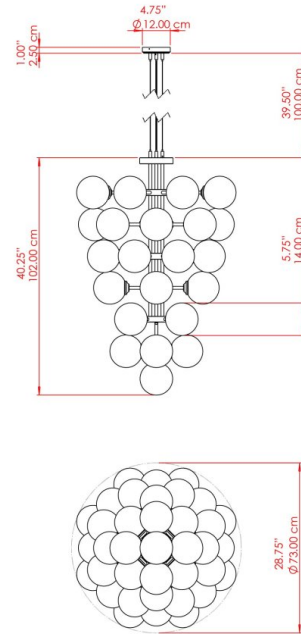


Product Notes:
 1) Bulbs not included. 2) Dimensions do not include bulbs. 3) All products are individually made-to-order and therefore may differ slightly within manufacturing tolerances. 4) Cable / chain can be shortened during installation. Longer cable / chain lengths available on request. 5) Additional colour finishes may be available on request. 6) Refer to our website for a full list of terms and conditions.



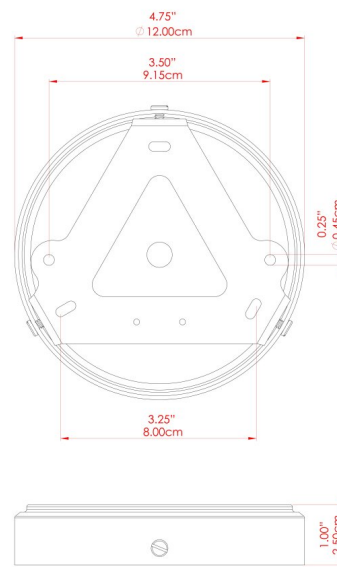
MERLOT Chandelier

MLF372SATBRS Satin Brass



MATERIAL	Brass Steel Glass
HEIGHT	102cm
WIDTH DIAMETER	73cm
LENGTH PROJECTION	73cm
WEIGHT	20.7 kg
LAMPHOLDER	G9
MAX WATTAGE	6.5W
VOLTAGE	220/240v
IP RATING	IP20
CLASS PROTECTION	Class I
SHADE	GL044F
FLEX BAR CHAIN LENGTH	100cm
CABLE TYPE	MLCA037 Black PVC Flexible Cable 3 Core

FIXING BRACKET: MLWB17

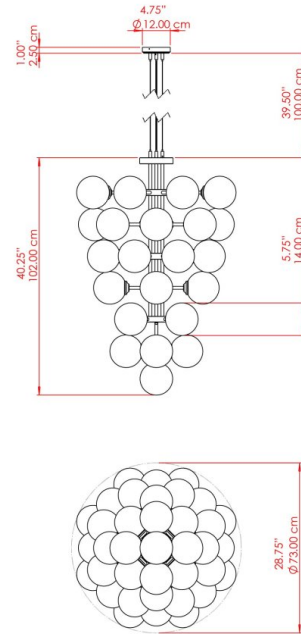


Product Notes:
 1) Bulbs not included. 2) Dimensions do not include bulbs. 3) All products are individually made-to-order and therefore may differ slightly within manufacturing tolerances. 4) Cable / chain can be shortened during installation. Longer cable / chain lengths available on request. 5) Additional colour finishes may be available on request. 6) Refer to our website for a full list of terms and conditions.



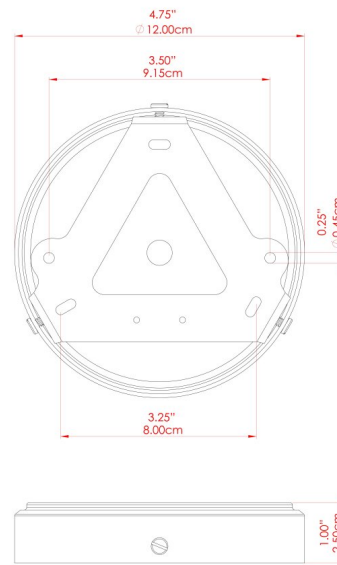
MERLOT Chandelier

MLF372NATBRS Natural Brass



MATERIAL	Brass Steel Glass
HEIGHT	102cm
WIDTH DIAMETER	73cm
LENGTH PROJECTION	73cm
WEIGHT	20.7 kg
LAMPHOLDER	G9
MAX WATTAGE	6.5W
VOLTAGE	220/240v
IP RATING	IP20
CLASS PROTECTION	Class I
SHADE	GL044F
FLEX BAR CHAIN LENGTH	100cm
CABLE TYPE	MLCA037 Black PVC Flexible Cable 3 Core

FIXING BRACKET: MLWB17

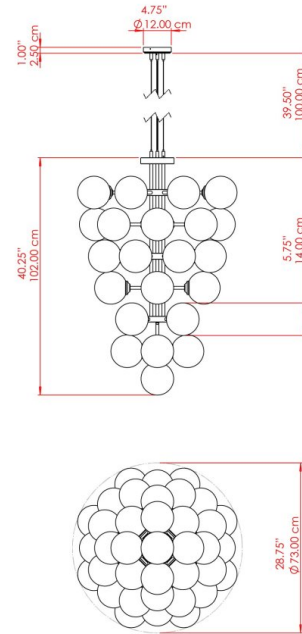


Product Notes:
 1) Bulbs not included. 2) Dimensions do not include bulbs. 3) All products are individually made-to-order and therefore may differ slightly within manufacturing tolerances. 4) Cable / chain can be shortened during installation. Longer cable / chain lengths available on request. 5) Additional colour finishes may be available on request. 6) Refer to our website for a full list of terms and conditions.



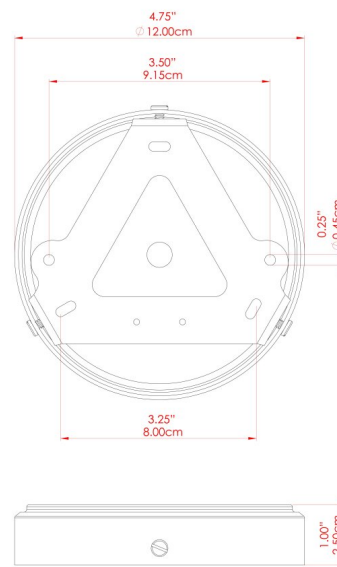
MERLOT Chandelier

MLF372PCMBK Matt Black



MATERIAL	Brass Steel Glass
HEIGHT	102cm
WIDTH DIAMETER	73cm
LENGTH PROJECTION	73cm
WEIGHT	20.7 kg
LAMPHOLDER	G9
MAX WATTAGE	6.5W
VOLTAGE	220/240v
IP RATING	IP20
CLASS PROTECTION	Class I
SHADE	GL044F
FLEX BAR CHAIN LENGTH	100cm
CABLE TYPE	MLCA037 Black PVC Flexible Cable 3 Core

FIXING BRACKET: MLWB17



WWW.MULLANLIGHTING.COM

Product Notes:

1) Bulbs not included. 2) Dimensions do not include bulbs. 3) All products are individually made-to-order and therefore may differ slightly within manufacturing tolerances. 4) Cable / chain can be shortened during installation. Longer cable / chain lengths available on request. 5) Additional colour finishes may be available on request. 6) Refer to our website for a full list of terms and conditions.

