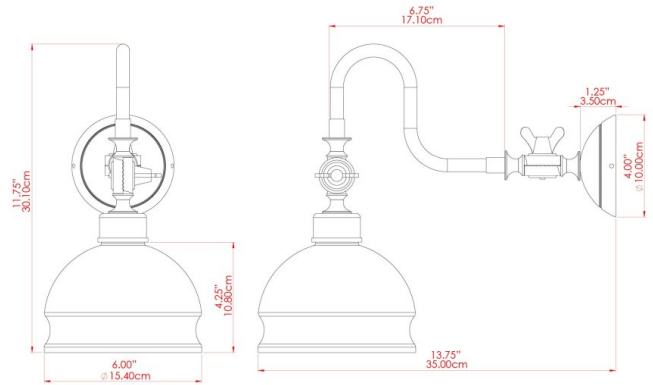


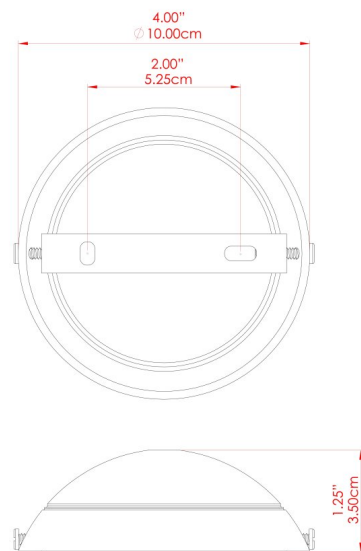
# APIA Picture Light

## MPL016ANTBRS Antique Brass



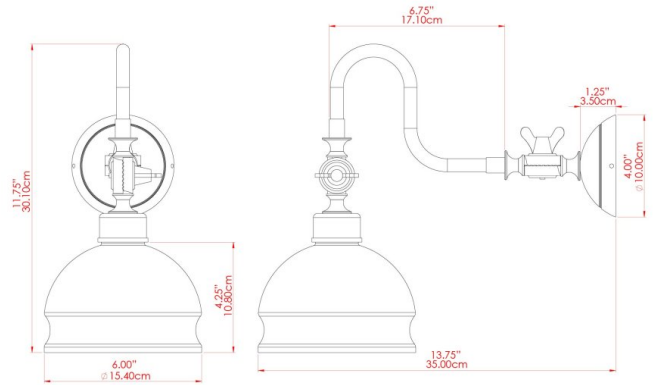
MATERIAL	Brass
HEIGHT	32cm
WIDTH   DIAMETER	15cm
LENGTH   PROJECTION	43cm
WEIGHT	1.2 kg
LAMPHOLDER	E27
MAX WATTAGE	40W
VOLTAGE	220/240v
IP RATING	IP20
CLASS PROTECTION	Class I
SHADE	-
FLEX   BAR   CHAIN LENGTH	n/a
CABLE TYPE	-

### FIXING BRACKET: MLWB01 | Antique Brass



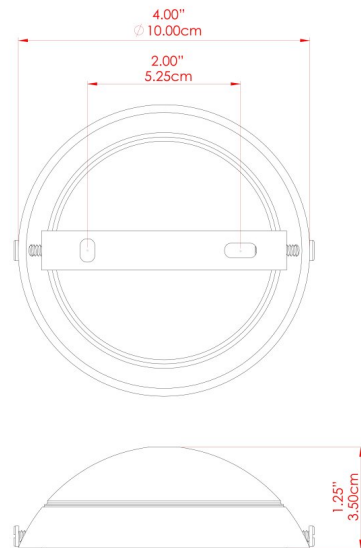
# APIA Picture Light

## MPL016ANTSLV Antique Silver



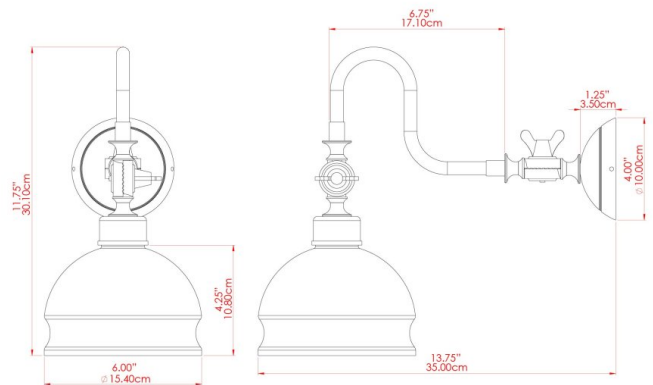
MATERIAL	Brass
HEIGHT	32cm
WIDTH   DIAMETER	15cm
LENGTH   PROJECTION	43cm
WEIGHT	1.2 kg
LAMPHOLDER	E27
MAX WATTAGE	40W
VOLTAGE	220/240v
IP RATING	IP20
CLASS PROTECTION	Class I
SHADE	-
FLEX   BAR   CHAIN LENGTH	n/a
CABLE TYPE	-

### FIXING BRACKET: MLWB01 | Antique Silver



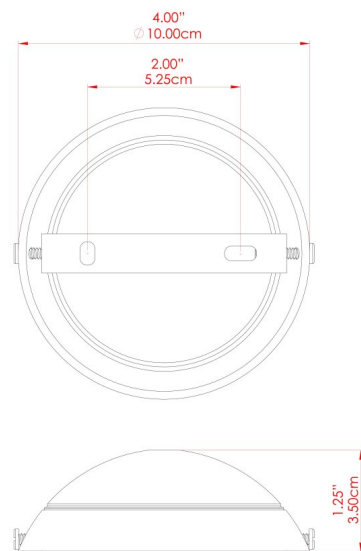
# APIA Picture Light

MPL016POLBRS Polished Brass



MATERIAL	Brass
HEIGHT	32cm
WIDTH   DIAMETER	15cm
LENGTH   PROJECTION	43cm
WEIGHT	1.2 kg
LAMPHOLDER	E27
MAX WATTAGE	40W
VOLTAGE	220/240v
IP RATING	IP20
CLASS PROTECTION	Class I
SHADE	-
FLEX   BAR   CHAIN LENGTH	n/a
CABLE TYPE	-

## FIXING BRACKET: MLWB01 | Polished Brass



WWW.MULLANLIGHTING.COM

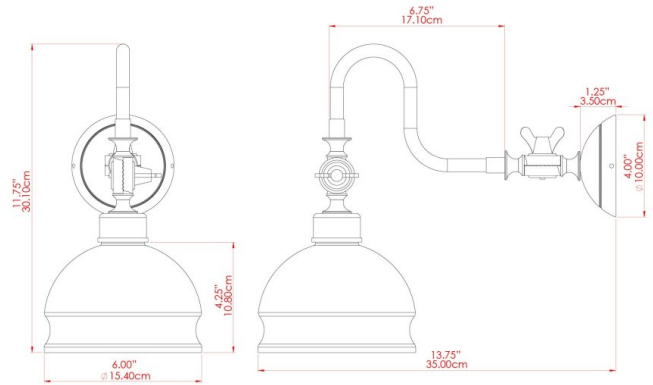
### Product Notes:

1) Bulbs not included. 2) Dimensions do not include bulbs. 3) All products are individually made-to-order and therefore may differ slightly within manufacturing tolerances. 4) Cable / chain can be shortened during installation. Longer cable / chain lengths available on request. 5) Additional colour finishes may be available on request. 6) Refer to our website for a full list of terms and conditions.



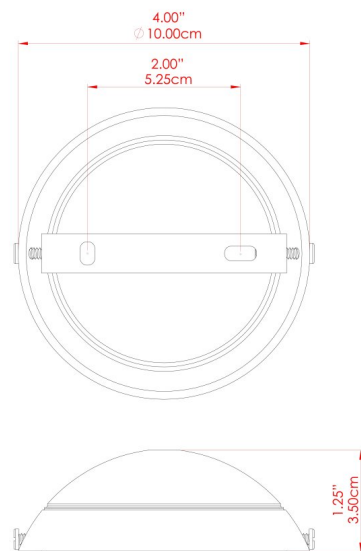
# APIA Picture Light

MPL016SATBRS Satin Brass



MATERIAL	Brass
HEIGHT	32cm
WIDTH   DIAMETER	15cm
LENGTH   PROJECTION	43cm
WEIGHT	1.2 kg
LAMPHOLDER	E27
MAX WATTAGE	40W
VOLTAGE	220/240v
IP RATING	IP20
CLASS PROTECTION	Class I
SHADE	-
FLEX   BAR   CHAIN LENGTH	n/a
CABLE TYPE	-

### FIXING BRACKET: MLWB01 | Satin Brass



Product Notes:  
 1) Bulbs not included. 2) Dimensions do not include bulbs. 3) All products are individually made-to-order and therefore may differ slightly within manufacturing tolerances. 4) Cable / chain can be shortened during installation. Longer cable / chain lengths available on request. 5) Additional colour finishes may be available on request. 6) Refer to our website for a full list of terms and conditions.

