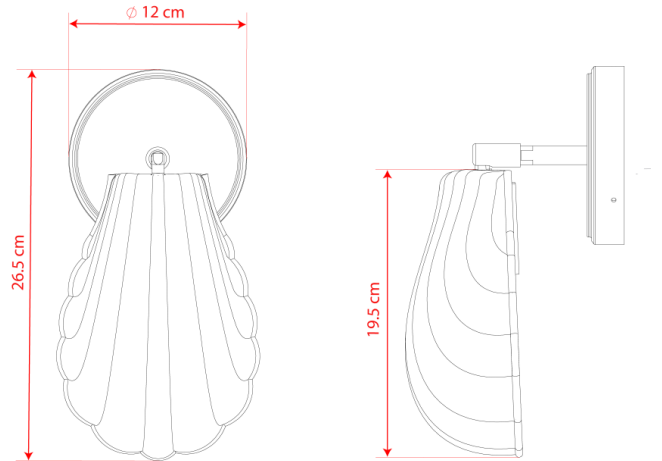


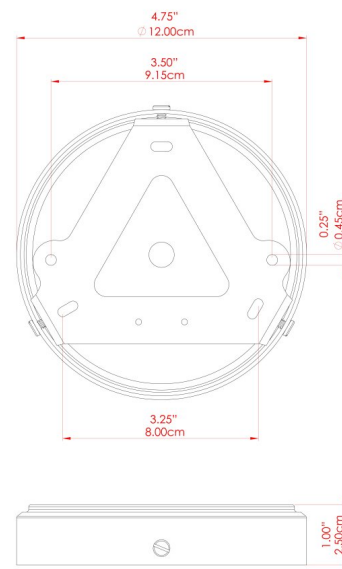
SHELL Wall Light

MLWL517ANTBRS Antique Brass



MATERIAL	Brass
HEIGHT	26.5cm
WIDTH DIAMETER	12cm
LENGTH PROJECTION	16-29.5cm
WEIGHT	0.8 kg
LAMPHOLDER	E27
MAX WATTAGE	40W
VOLTAGE	220/240v
IP RATING	IP20
CLASS PROTECTION	Class I
SHADE	INTE-SHELL-BRASS
FLEX BAR CHAIN LENGTH	n/a
CABLE TYPE	-

FIXING BRACKET: MLWB17



WWW.MULLANLIGHTING.COM

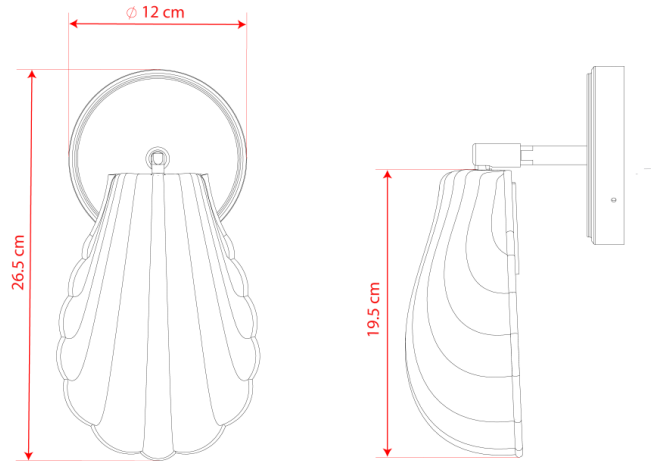
Product Notes:

1) Bulbs not included. 2) Dimensions do not include bulbs. 3) All products are individually made-to-order and therefore may differ slightly within manufacturing tolerances. 4) Cable / chain can be shortened during installation. Longer cable / chain lengths available on request. 5) Additional colour finishes may be available on request. 6) Refer to our website for a full list of terms and conditions.



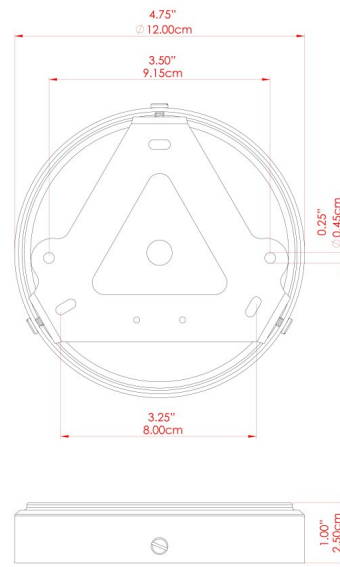
SHELL Wall Light

MLWL517ANTSLV Antique Silver



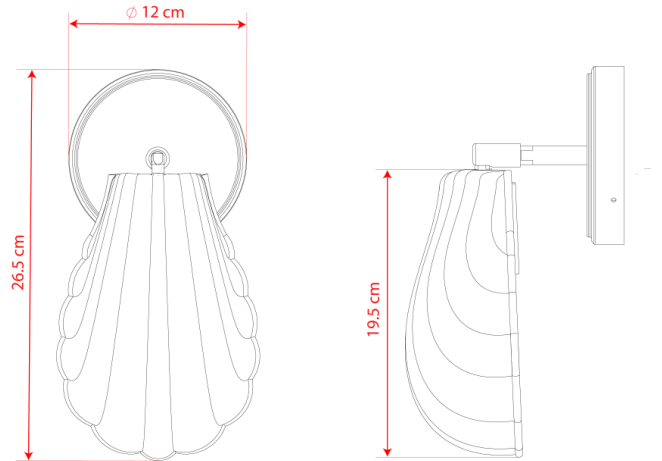
MATERIAL	Brass
HEIGHT	26.5cm
WIDTH DIAMETER	12cm
LENGTH PROJECTION	16-29.5cm
WEIGHT	0.8 kg
LAMPHOLDER	E27
MAX WATTAGE	40W
VOLTAGE	220/240v
IP RATING	IP20
CLASS PROTECTION	Class I
SHADE	INTE-SHELL-BRASS
FLEX BAR CHAIN LENGTH	n/a
CABLE TYPE	

FIXING BRACKET: MLWB17



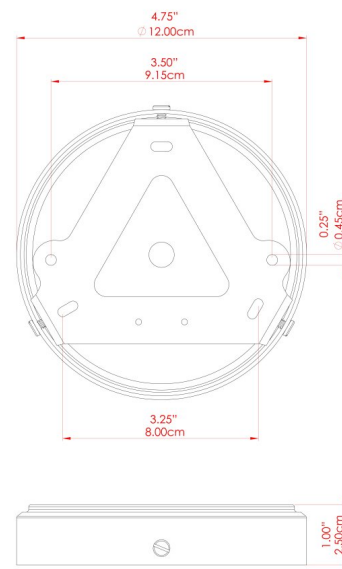
SHELL Wall Light

MLWL517POLBRS Polished Brass



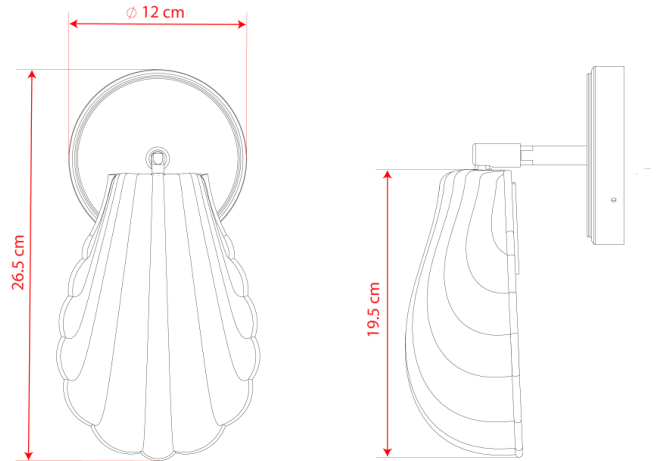
MATERIAL	Brass
HEIGHT	26.5cm
WIDTH DIAMETER	12cm
LENGTH PROJECTION	16-29.5cm
WEIGHT	0.8 kg
LAMPHOLDER	E27
MAX WATTAGE	40W
VOLTAGE	220/240v
IP RATING	IP20
CLASS PROTECTION	Class I
SHADE	INTE-SHELL-BRASS
FLEX BAR CHAIN LENGTH	n/a
CABLE TYPE	-

FIXING BRACKET: MLWB17



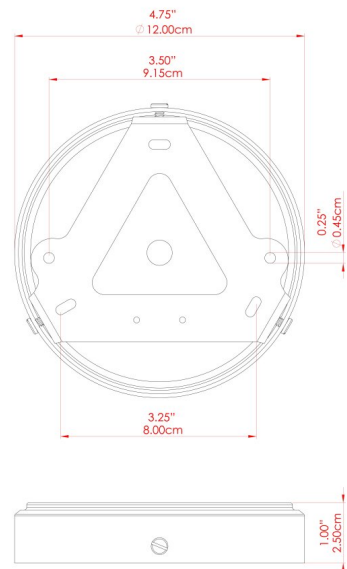
SHELL Wall Light

MLWL517RAWBRS Raw Brass



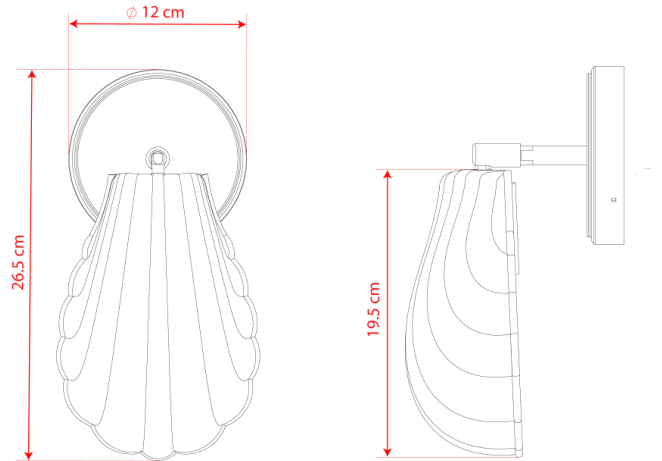
MATERIAL	Brass
HEIGHT	26.5cm
WIDTH DIAMETER	12cm
LENGTH PROJECTION	16-29.5cm
WEIGHT	0.8 kg
LAMPHOLDER	E27
MAX WATTAGE	40W
VOLTAGE	220/240v
IP RATING	IP20
CLASS PROTECTION	Class I
SHADE	INTE-SHELL-BRASS
FLEX BAR CHAIN LENGTH	n/a
CABLE TYPE	-

FIXING BRACKET: MLWB17



SHELL Wall Light

MLWL517SATBRS Satin Brass



MATERIAL	Brass
HEIGHT	26.5cm
WIDTH DIAMETER	12cm
LENGTH PROJECTION	16-29.5cm
WEIGHT	0.8 kg
LAMPHOLDER	E27
MAX WATTAGE	40W
VOLTAGE	220/240v
IP RATING	IP20
CLASS PROTECTION	Class I
SHADE	INTE-SHELL-BRASS
FLEX BAR CHAIN LENGTH	n/a
CABLE TYPE	-

FIXING BRACKET: MLWB17

