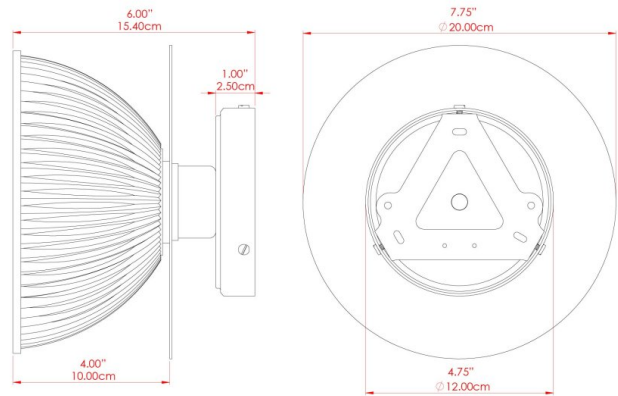


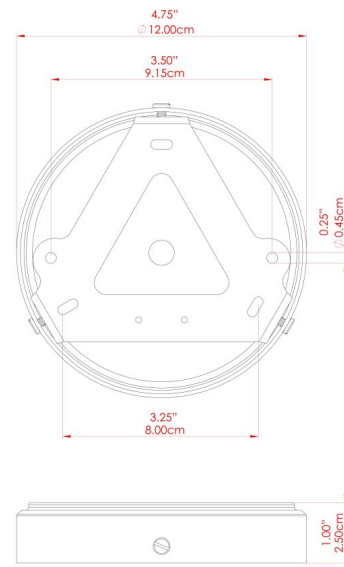
ECLIPSE Wall Light

MLWL502PCMAP



MATERIAL	Brass Glass
HEIGHT	20cm
WIDTH DIAMETER	20cm
LENGTH PROJECTION	15.5cm
WEIGHT	1.4 kg
LAMPHOLDER	E27
MAX WATTAGE	40W
VOLTAGE	220/240v
IP RATING	IP20
CLASS PROTECTION	Class I
SHADE	GL096
FLEX BAR CHAIN LENGTH	n/a
CABLE TYPE	-

FIXING BRACKET: MLWB17 | Matt Antique Pink



WWW.MULLANLIGHTING.COM

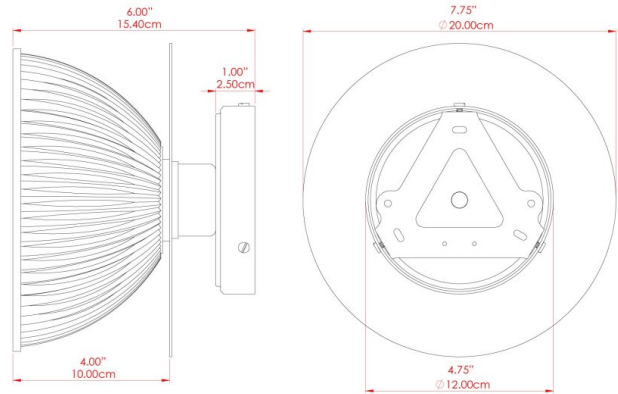
Product Notes:

1) Bulbs not included. 2) Dimensions do not include bulbs. 3) All products are individually made-to-order and therefore may differ slightly within manufacturing tolerances. 4) Cable / chain can be shortened during installation. Longer cable / chain lengths available on request. 5) Additional colour finishes may be available on request. 6) Refer to our website for a full list of terms and conditions.



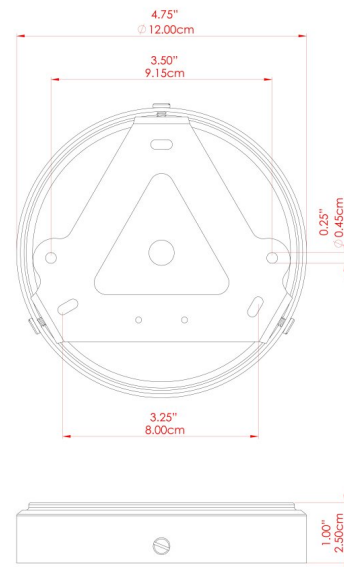
ECLIPSE Wall Light

MLWL502PCMMT



MATERIAL	Brass Glass
HEIGHT	20cm
WIDTH DIAMETER	20cm
LENGTH PROJECTION	15.5cm
WEIGHT	1.4 kg
LAMPHOLDER	E27
MAX WATTAGE	40W
VOLTAGE	220/240v
IP RATING	IP20
CLASS PROTECTION	Class I
SHADE	GL096
FLEX BAR CHAIN LENGTH	n/a
CABLE TYPE	-

FIXING BRACKET: MLWB17 | Matt Mint Turquoise



WWW.MULLANLIGHTING.COM

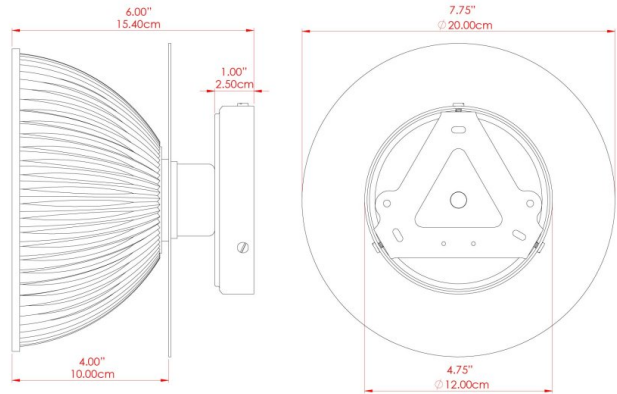
Product Notes:

1) Bulbs not included. 2) Dimensions do not include bulbs. 3) All products are individually made-to-order and therefore may differ slightly within manufacturing tolerances. 4) Cable / chain can be shortened during installation. Longer cable / chain lengths available on request. 5) Additional colour finishes may be available on request. 6) Refer to our website for a full list of terms and conditions.



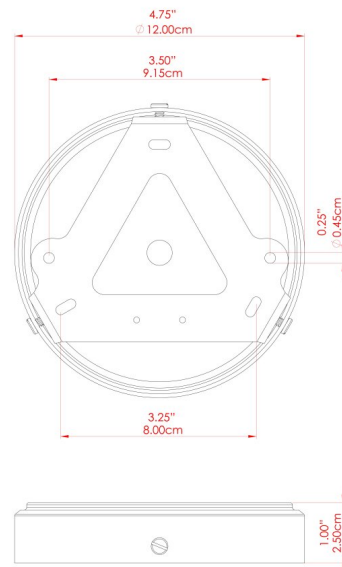
ECLIPSE Wall Light

MLWL502PCORG Orange



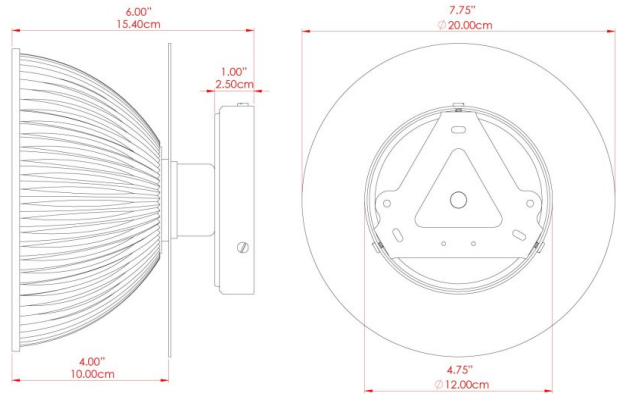
MATERIAL	Brass Glass
HEIGHT	20cm
WIDTH DIAMETER	20cm
LENGTH PROJECTION	15.5cm
WEIGHT	1.4 kg
LAMPHOLDER	E27
MAX WATTAGE	40W
VOLTAGE	220/240v
IP RATING	IP20
CLASS PROTECTION	Class I
SHADE	GL096
FLEX BAR CHAIN LENGTH	n/a
CABLE TYPE	-

FIXING BRACKET: MLWB17 | Orange



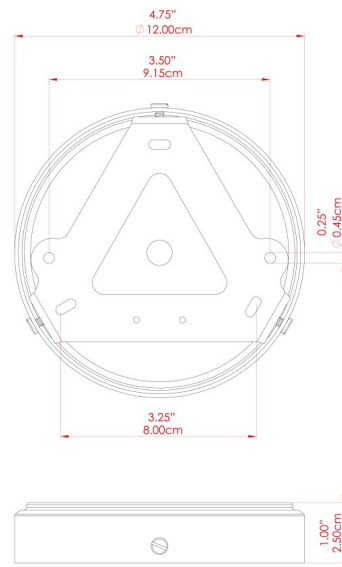
ECLIPSE Wall Light

MLWL502PCRGR Racing Green



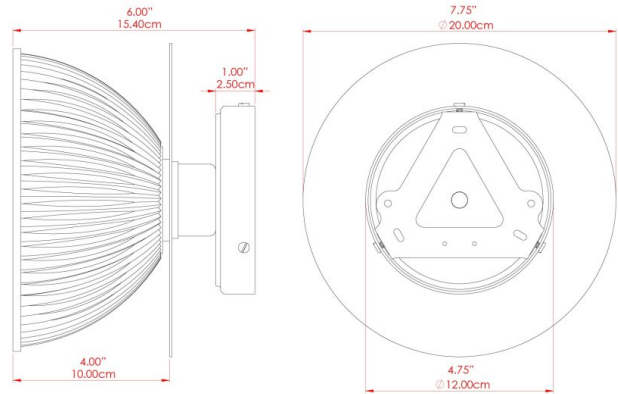
MATERIAL	Brass Glass
HEIGHT	20cm
WIDTH DIAMETER	20cm
LENGTH PROJECTION	15.5cm
WEIGHT	1.4 kg
LAMPHOLDER	E27
MAX WATTAGE	40W
VOLTAGE	220/240v
IP RATING	IP20
CLASS PROTECTION	Class I
SHADE	GL096
FLEX BAR CHAIN LENGTH	n/a
CABLE TYPE	-

FIXING BRACKET: MLWB17 | Racing Green



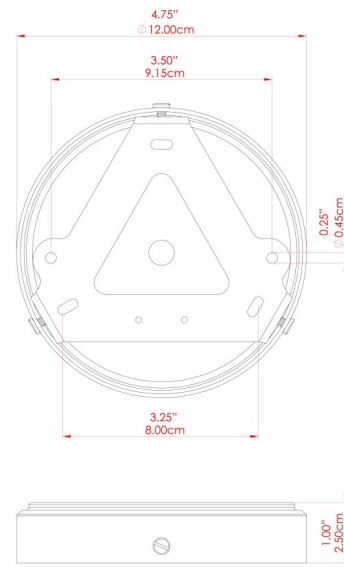
ECLIPSE Wall Light

MLWL502PCRED Red



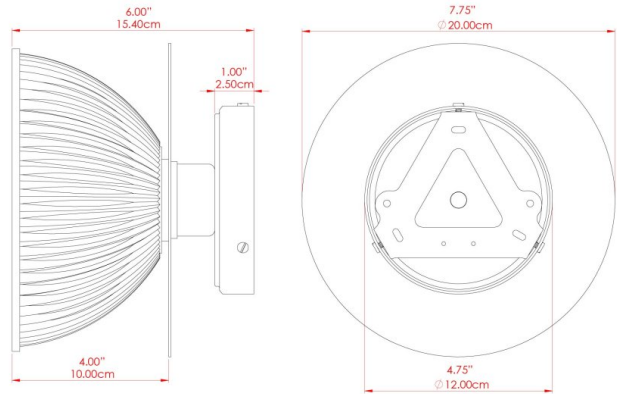
MATERIAL	Brass Glass
HEIGHT	20cm
WIDTH DIAMETER	20cm
LENGTH PROJECTION	15.5cm
WEIGHT	1.4 kg
LAMPHOLDER	E27
MAX WATTAGE	40W
VOLTAGE	220/240v
IP RATING	IP20
CLASS PROTECTION	Class I
SHADE	GL096
FLEX BAR CHAIN LENGTH	n/a
CABLE TYPE	-

FIXING BRACKET: MLWB17 | Red



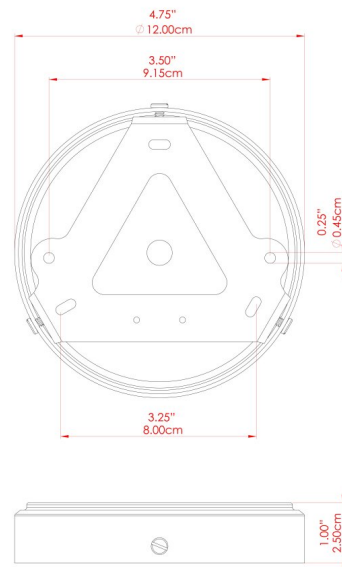
ECLIPSE Wall Light

MLWL502PCGRN Sage Green



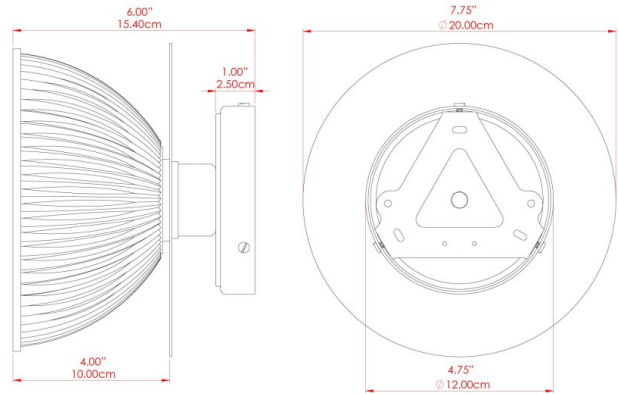
MATERIAL	Brass Glass
HEIGHT	20cm
WIDTH DIAMETER	20cm
LENGTH PROJECTION	15.5cm
WEIGHT	1.4 kg
LAMPHOLDER	E27
MAX WATTAGE	40W
VOLTAGE	220/240v
IP RATING	IP20
CLASS PROTECTION	Class I
SHADE	GL096
FLEX BAR CHAIN LENGTH	n/a
CABLE TYPE	-

FIXING BRACKET: MLWB17 | Sage Green



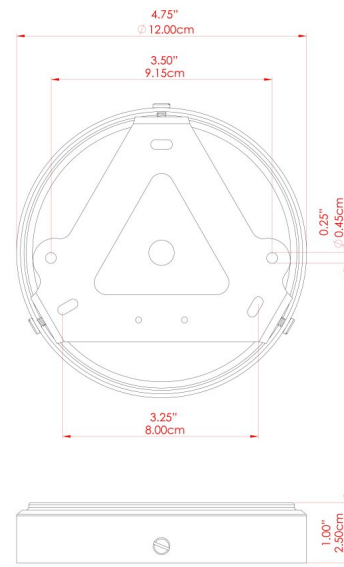
ECLIPSE Wall Light

MLWL502PCMSB



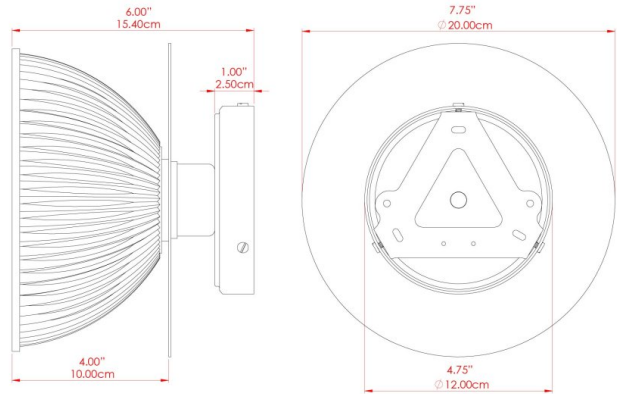
MATERIAL	Brass Glass
HEIGHT	20cm
WIDTH DIAMETER	20cm
LENGTH PROJECTION	15.5cm
WEIGHT	1.4 kg
LAMPHOLDER	E27
MAX WATTAGE	40W
VOLTAGE	220/240v
IP RATING	IP20
CLASS PROTECTION	Class I
SHADE	GL096
FLEX BAR CHAIN LENGTH	n/a
CABLE TYPE	-

FIXING BRACKET: MLWB17 | Sapphire Blue



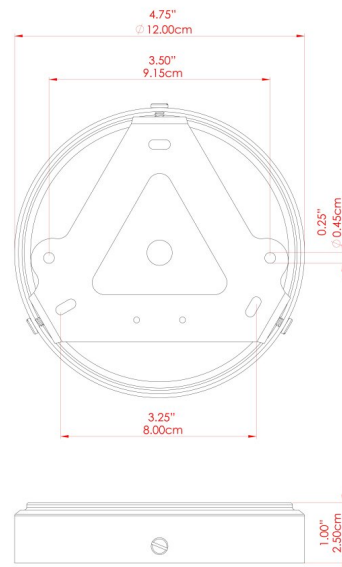
ECLIPSE Wall Light

MLWL502PCCRM



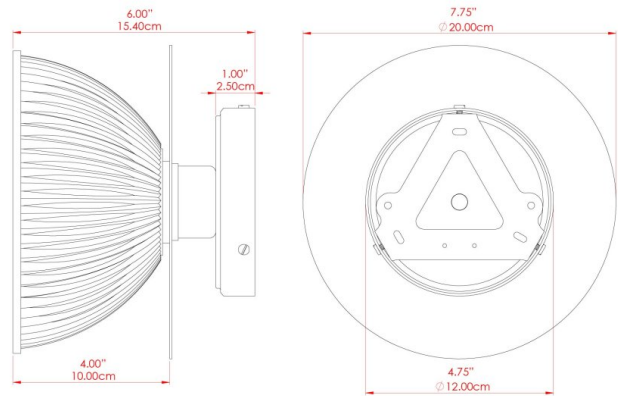
MATERIAL	Brass Glass
HEIGHT	20cm
WIDTH DIAMETER	20cm
LENGTH PROJECTION	15.5cm
WEIGHT	1.4 kg
LAMPHOLDER	E27
MAX WATTAGE	40W
VOLTAGE	220/240v
IP RATING	IP20
CLASS PROTECTION	Class I
SHADE	GL096
FLEX BAR CHAIN LENGTH	n/a
CABLE TYPE	-

FIXING BRACKET: MLWB17 | Matt Vanilla Cream



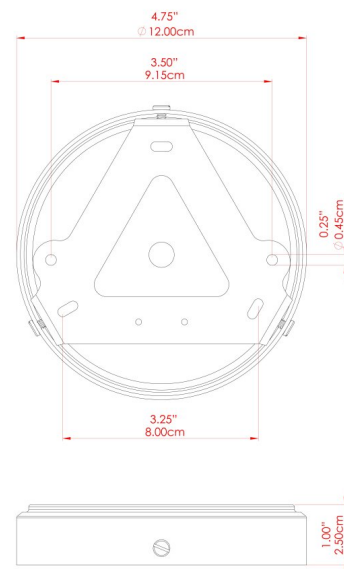
ECLIPSE Wall Light

MLWL502PCYLW Yellow



MATERIAL	Brass Glass
HEIGHT	20cm
WIDTH DIAMETER	20cm
LENGTH PROJECTION	15.5cm
WEIGHT	1.4 kg
LAMPHOLDER	E27
MAX WATTAGE	40W
VOLTAGE	220/240v
IP RATING	IP20
CLASS PROTECTION	Class I
SHADE	GL096
FLEX BAR CHAIN LENGTH	n/a
CABLE TYPE	-

FIXING BRACKET: MLWB17 | Yellow



WWW.MULLANLIGHTING.COM

Product Notes:

1) Bulbs not included. 2) Dimensions do not include bulbs. 3) All products are individually made-to-order and therefore may differ slightly within manufacturing tolerances. 4) Cable / chain can be shortened during installation. Longer cable / chain lengths available on request. 5) Additional colour finishes may be available on request. 6) Refer to our website for a full list of terms and conditions.

