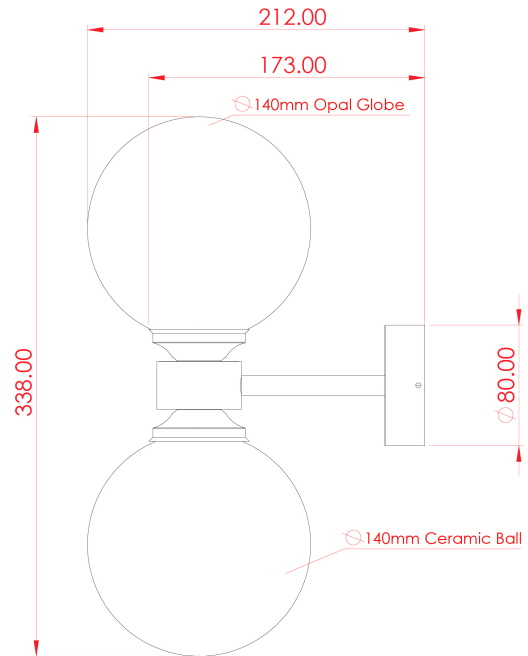


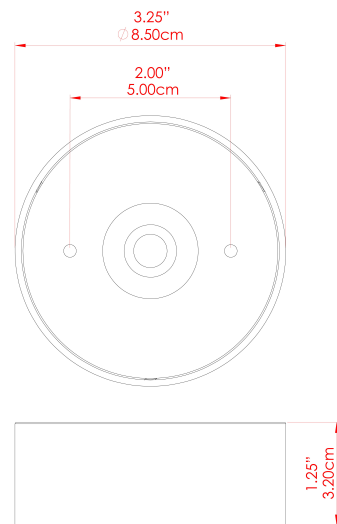
# KOBE Ceramic Wall Light

## MLCMWL046ANTBRS Antique Brass



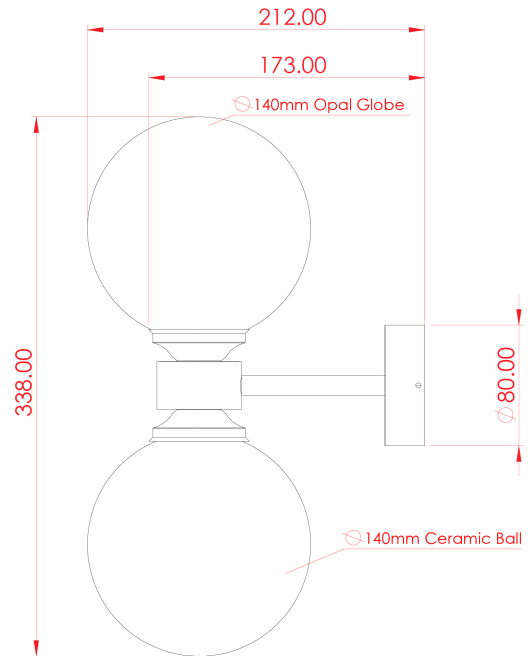
MATERIAL	Brass   Ceramic
HEIGHT	34cm
WIDTH   DIAMETER	14cm
LENGTH   PROJECTION	21cm
WEIGHT	1.8 kg
LAMPHOLDER	G9
MAX WATTAGE	5W
VOLTAGE	220/240v
IP RATING	IP20
CLASS PROTECTION	Class I
SHADE	GL044F   MLCS079
FLEX   BAR   CHAIN LENGTH	n/a
CABLE TYPE	-

### FIXING BRACKET: MLWB13



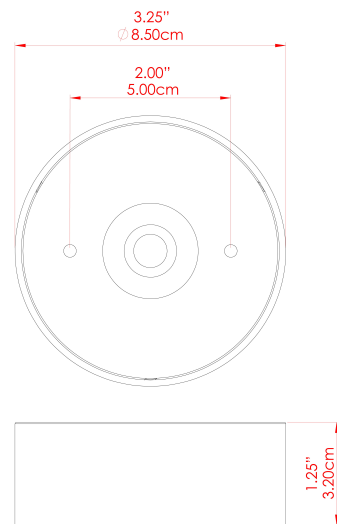
# KOBE Ceramic Wall Light

## MLCMWL046ANTSLV Antique Silver



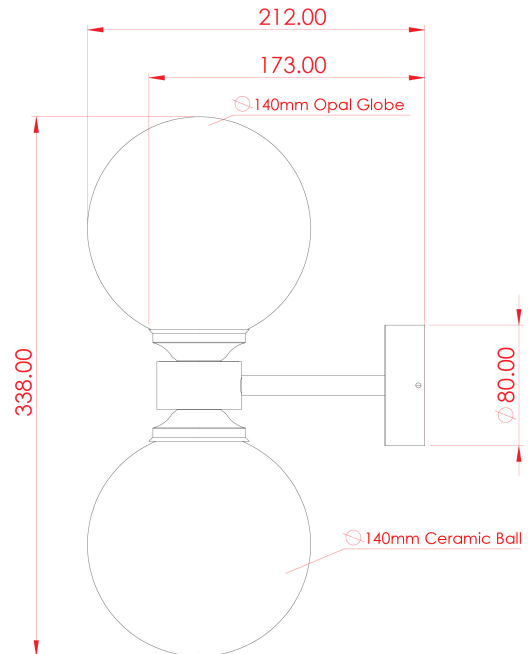
MATERIAL	Brass   Ceramic
HEIGHT	34cm
WIDTH   DIAMETER	14cm
LENGTH   PROJECTION	21cm
WEIGHT	1.8 kg
LAMPHOLDER	G9
MAX WATTAGE	5W
VOLTAGE	220/240v
IP RATING	IP20
CLASS PROTECTION	Class I
SHADE	GL044F   MLCS079
FLEX   BAR   CHAIN LENGTH	n/a
CABLE TYPE	-

### FIXING BRACKET: MLWB13



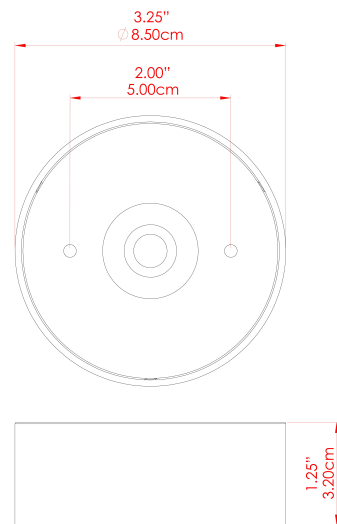
# KOBE Ceramic Wall Light

MLCMWL046PCMBK Matt Black



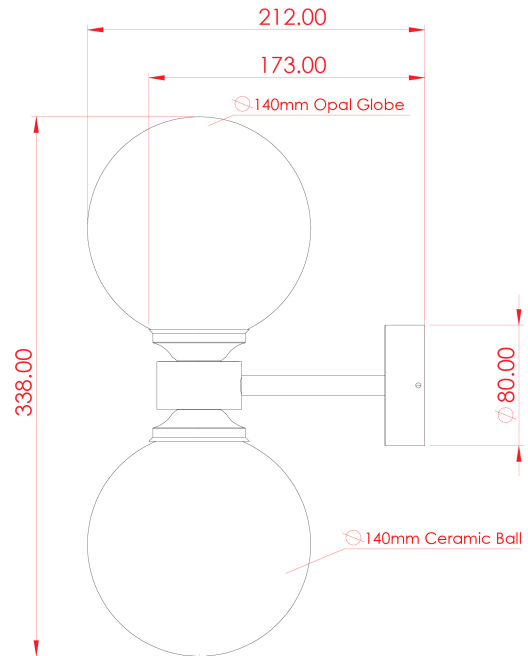
MATERIAL	Brass   Ceramic
HEIGHT	34cm
WIDTH   DIAMETER	14cm
LENGTH   PROJECTION	21cm
WEIGHT	1.8 kg
LAMPHOLDER	G9
MAX WATTAGE	5W
VOLTAGE	220/240v
IP RATING	IP20
CLASS PROTECTION	Class I
SHADE	GL044F   MLCS079
FLEX   BAR   CHAIN LENGTH	n/a
CABLE TYPE	-

FIXING BRACKET: MLWB13



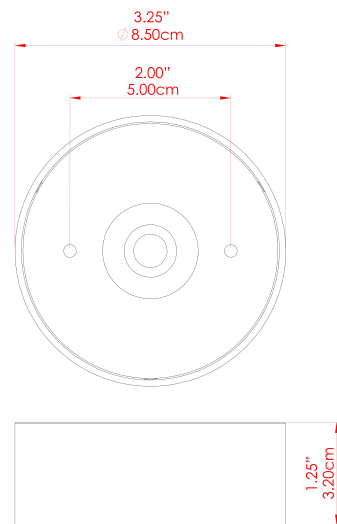
# KOBE Ceramic Wall Light

MLCMWL046POLBRS Polished Brass



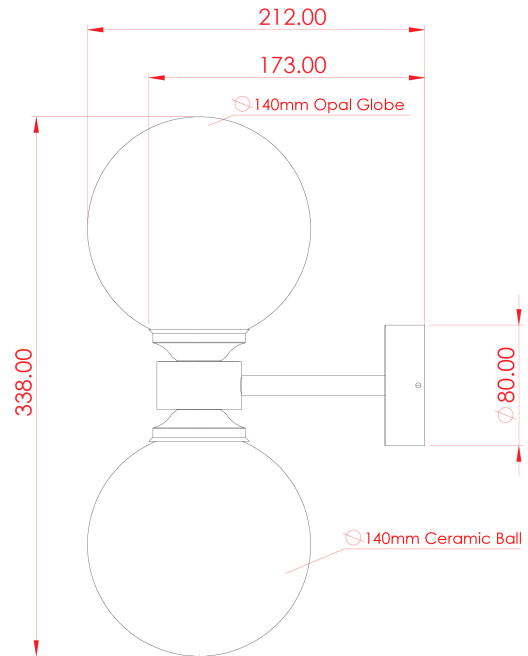
MATERIAL	Brass   Ceramic
HEIGHT	34cm
WIDTH   DIAMETER	14cm
LENGTH   PROJECTION	21cm
WEIGHT	1.8 kg
LAMPHOLDER	G9
MAX WATTAGE	5W
VOLTAGE	220/240v
IP RATING	IP20
CLASS PROTECTION	Class I
SHADE	GL044F   MLCS079
FLEX   BAR   CHAIN LENGTH	n/a
CABLE TYPE	-

FIXING BRACKET: MLWB13



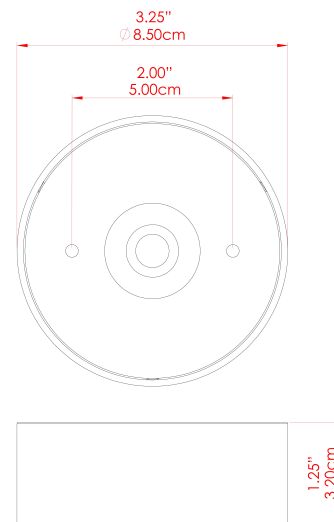
# KOBE Ceramic Wall Light

MLCMWL046SATBRS Satin Brass



MATERIAL	Brass   Ceramic
HEIGHT	34cm
WIDTH   DIAMETER	14cm
LENGTH   PROJECTION	21cm
WEIGHT	1.8 kg
LAMPHOLDER	G9
MAX WATTAGE	5W
VOLTAGE	220/240v
IP RATING	IP20
CLASS PROTECTION	Class I
SHADE	GL044F   MLCS079
FLEX   BAR   CHAIN LENGTH	n/a
CABLE TYPE	-

FIXING BRACKET: MLWB13



WWW.MULLANLIGHTING.COM

**Product Notes:**

1) Bulbs not included. 2) Dimensions do not include bulbs. 3) All products are individually made-to-order and therefore may differ slightly within manufacturing tolerances. 4) Cable / chain can be shortened during installation. Longer cable / chain lengths available on request. 5) Additional colour finishes may be available on request. 6) Refer to our website for a full list of terms and conditions.

