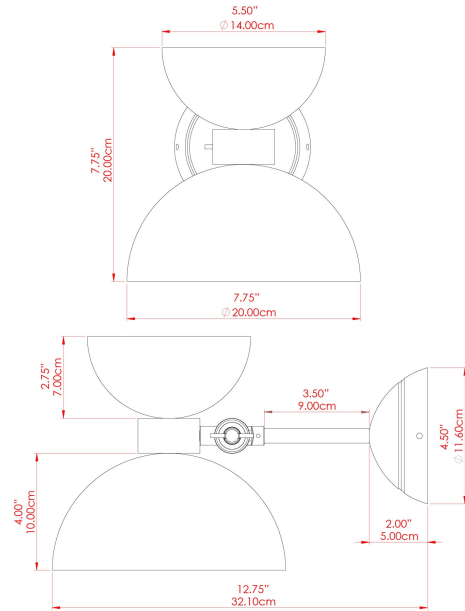


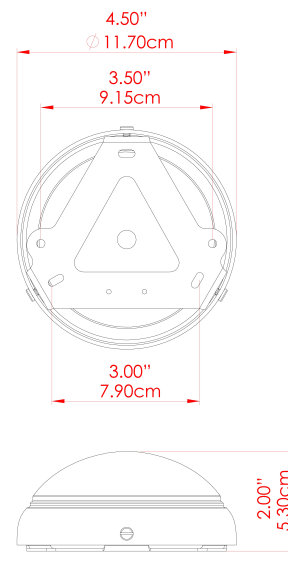
# NAKAI Ceramic Wall Light

## MLCMWL038ANTBRSC Antique Brass



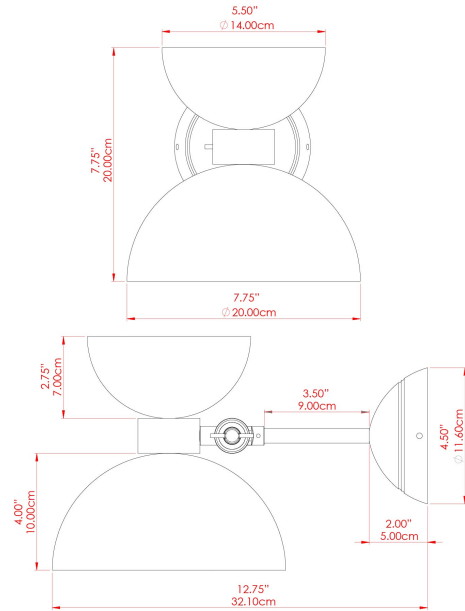
|                           |                           |
|---------------------------|---------------------------|
| MATERIAL                  | Brass   Ceramic   Glass   |
| HEIGHT                    | 24cm                      |
| WIDTH   DIAMETER          | 20cm                      |
| LENGTH   PROJECTION       | 31-35cm                   |
| WEIGHT                    | 2.1 kg                    |
| LAMPHOLDER                | G9                        |
| MAX WATTAGE               | 6.5W                      |
| VOLTAGE                   | 220/240v                  |
| IP RATING                 | IP20                      |
| CLASS PROTECTION          | Class I                   |
| SHADE                     | GL196   MLCS003   MLCS071 |
| FLEX   BAR   CHAIN LENGTH | n/a                       |
| CABLE TYPE                | -                         |

### FIXING BRACKET: MLWB11



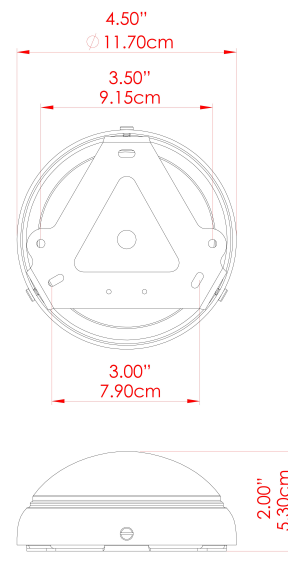
# NAKAI Ceramic Wall Light

MLCMWL038ANTBRSFR Antique Brass



|                           |                           |
|---------------------------|---------------------------|
| MATERIAL                  | Brass   Ceramic   Glass   |
| HEIGHT                    | 24cm                      |
| WIDTH   DIAMETER          | 20cm                      |
| LENGTH   PROJECTION       | 31-35cm                   |
| WEIGHT                    | 2.1 kg                    |
| LAMPHOLDER                | G9                        |
| MAX WATTAGE               | 6.5W                      |
| VOLTAGE                   | 220/240v                  |
| IP RATING                 | IP20                      |
| CLASS PROTECTION          | Class I                   |
| SHADE                     | GL208   MLCS003   MLCS071 |
| FLEX   BAR   CHAIN LENGTH | n/a                       |
| CABLE TYPE                | -                         |

FIXING BRACKET: MLWB11



WWW.MULLANLIGHTING.COM

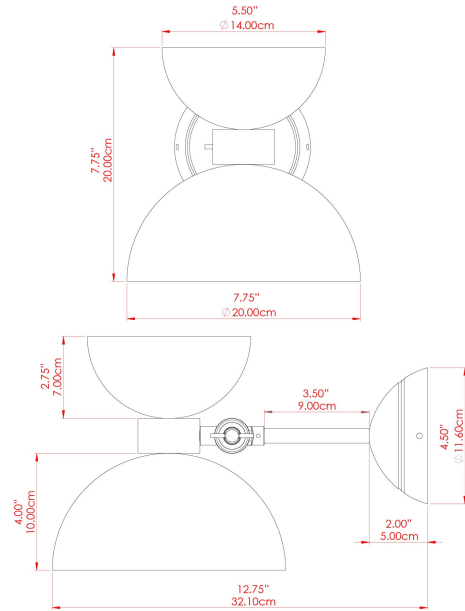
**Product Notes:**

1) Bulbs not included. 2) Dimensions do not include bulbs. 3) All products are individually made-to-order and therefore may differ slightly within manufacturing tolerances. 4) Cable / chain can be shortened during installation. Longer cable / chain lengths available on request. 5) Additional colour finishes may be available on request. 6) Refer to our website for a full list of terms and conditions.



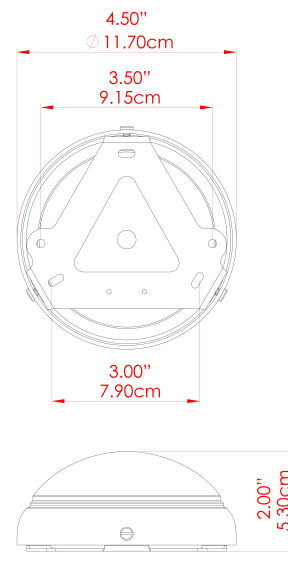
# NAKAI Ceramic Wall Light

## MLCMWL038ANTBRSOP Antique Brass



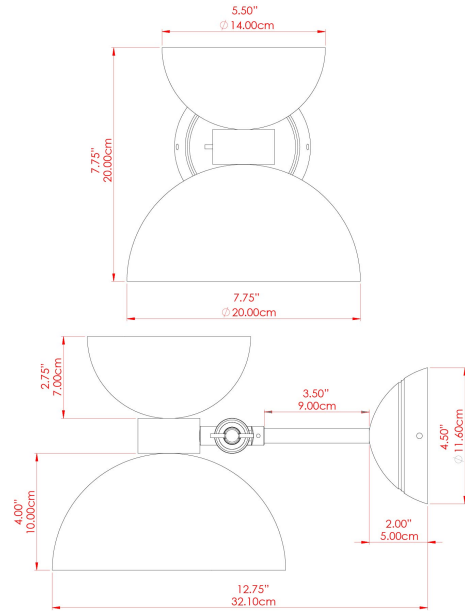
|                           |                           |
|---------------------------|---------------------------|
| MATERIAL                  | Brass   Ceramic   Glass   |
| HEIGHT                    | 24cm                      |
| WIDTH   DIAMETER          | 20cm                      |
| LENGTH   PROJECTION       | 31-35cm                   |
| WEIGHT                    | 2.1 kg                    |
| LAMPHOLDER                | G9                        |
| MAX WATTAGE               | 6.5W                      |
| VOLTAGE                   | 220/240v                  |
| IP RATING                 | IP20                      |
| CLASS PROTECTION          | Class I                   |
| SHADE                     | GL192   MLCS003   MLCS071 |
| FLEX   BAR   CHAIN LENGTH | n/a                       |
| CABLE TYPE                | -                         |

### FIXING BRACKET: MLWB11



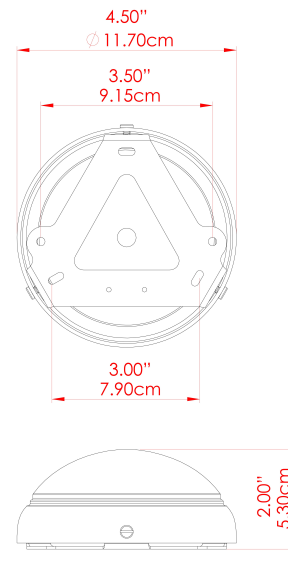
# NAKAI Ceramic Wall Light

## MLCMWL038ANTSLVCL Antique Silver



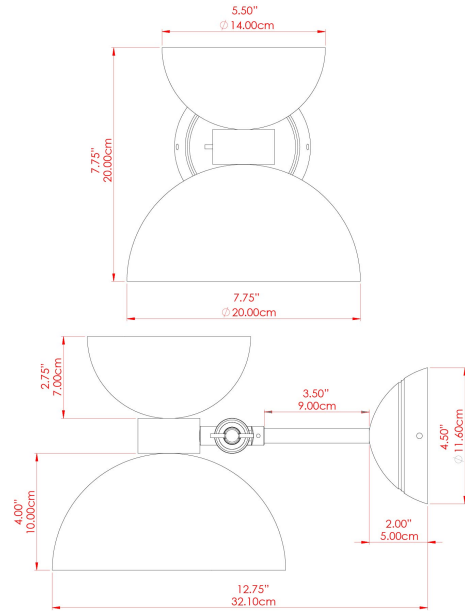
|                           |                           |
|---------------------------|---------------------------|
| MATERIAL                  | Brass   Ceramic   Glass   |
| HEIGHT                    | 24cm                      |
| WIDTH   DIAMETER          | 20cm                      |
| LENGTH   PROJECTION       | 31-35cm                   |
| WEIGHT                    | 2.1 kg                    |
| LAMPHOLDER                | G9                        |
| MAX WATTAGE               | 6.5W                      |
| VOLTAGE                   | 220/240v                  |
| IP RATING                 | IP20                      |
| CLASS PROTECTION          | Class I                   |
| SHADE                     | GL196   MLCS003   MLCS071 |
| FLEX   BAR   CHAIN LENGTH | n/a                       |
| CABLE TYPE                | -                         |

FIXING BRACKET: MLWB11



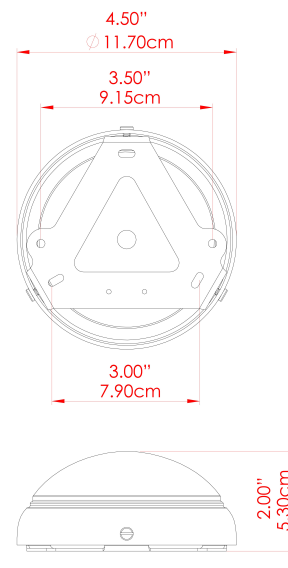
# NAKAI Ceramic Wall Light

## MLCMWL038ANTSLVFR Antique Silver



|                           |                           |
|---------------------------|---------------------------|
| MATERIAL                  | Brass   Ceramic   Glass   |
| HEIGHT                    | 24cm                      |
| WIDTH   DIAMETER          | 20cm                      |
| LENGTH   PROJECTION       | 31-35cm                   |
| WEIGHT                    | 2.1 kg                    |
| LAMPHOLDER                | G9                        |
| MAX WATTAGE               | 6.5W                      |
| VOLTAGE                   | 220/240v                  |
| IP RATING                 | IP20                      |
| CLASS PROTECTION          | Class I                   |
| SHADE                     | GL208   MLCS003   MLCS071 |
| FLEX   BAR   CHAIN LENGTH | n/a                       |
| CABLE TYPE                | -                         |

### FIXING BRACKET: MLWB11



WWW.MULLANLIGHTING.COM

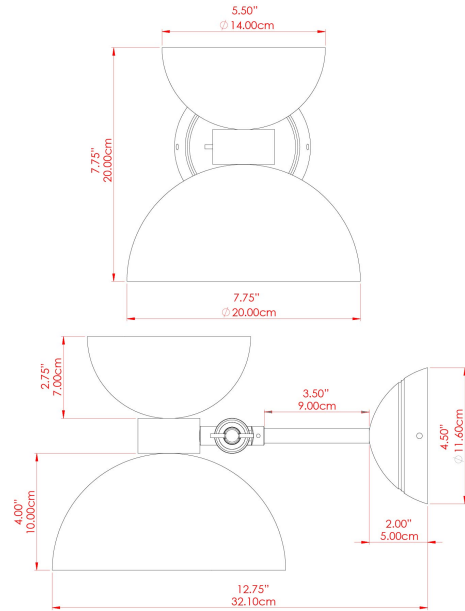
#### Product Notes:

1) Bulbs not included. 2) Dimensions do not include bulbs. 3) All products are individually made-to-order and therefore may differ slightly within manufacturing tolerances. 4) Cable / chain can be shortened during installation. Longer cable / chain lengths available on request. 5) Additional colour finishes may be available on request. 6) Refer to our website for a full list of terms and conditions.



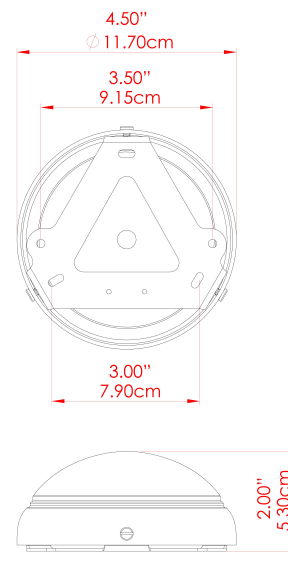
# NAKAI Ceramic Wall Light

## MLCMWL038ANTSLVOP Antique Silver



|                           |                           |
|---------------------------|---------------------------|
| MATERIAL                  | Brass   Ceramic   Glass   |
| HEIGHT                    | 24cm                      |
| WIDTH   DIAMETER          | 20cm                      |
| LENGTH   PROJECTION       | 31-35cm                   |
| WEIGHT                    | 2.1 kg                    |
| LAMPHOLDER                | G9                        |
| MAX WATTAGE               | 6.5W                      |
| VOLTAGE                   | 220/240v                  |
| IP RATING                 | IP20                      |
| CLASS PROTECTION          | Class I                   |
| SHADE                     | GL192   MLCS003   MLCS071 |
| FLEX   BAR   CHAIN LENGTH | n/a                       |
| CABLE TYPE                | -                         |

### FIXING BRACKET: MLWB11



WWW.MULLANLIGHTING.COM

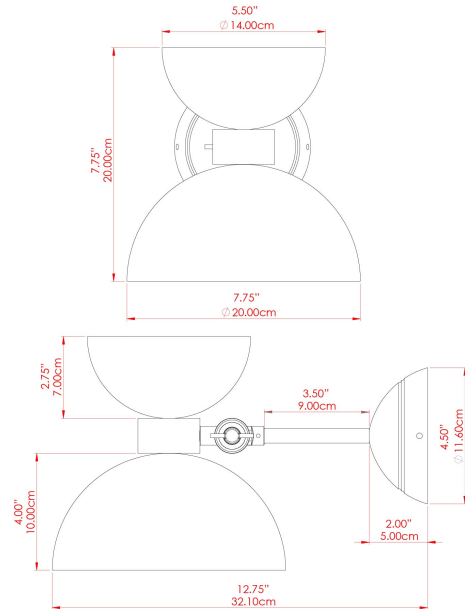
#### Product Notes:

1) Bulbs not included. 2) Dimensions do not include bulbs. 3) All products are individually made-to-order and therefore may differ slightly within manufacturing tolerances. 4) Cable / chain can be shortened during installation. Longer cable / chain lengths available on request. 5) Additional colour finishes may be available on request. 6) Refer to our website for a full list of terms and conditions.



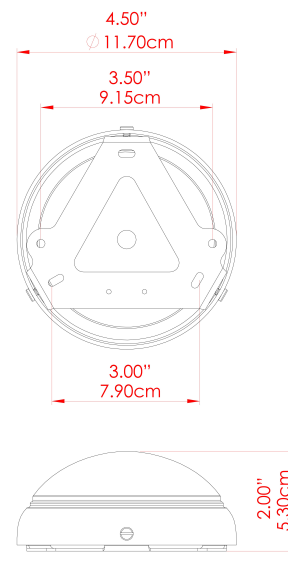
# NAKAI Ceramic Wall Light

MLCMWL038PCMBKCL Matt Black



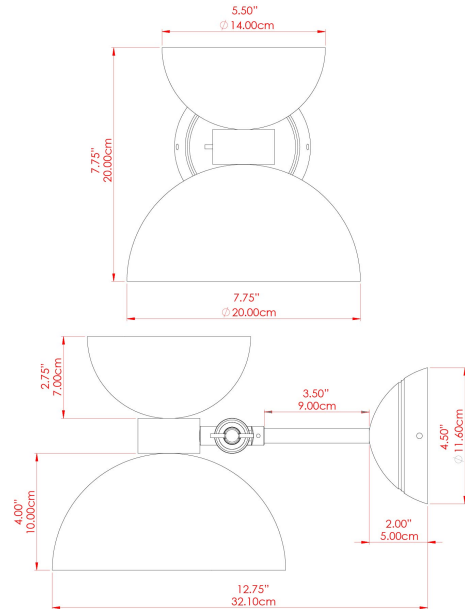
|                           |                           |
|---------------------------|---------------------------|
| MATERIAL                  | Brass   Ceramic   Glass   |
| HEIGHT                    | 24cm                      |
| WIDTH   DIAMETER          | 20cm                      |
| LENGTH   PROJECTION       | 31-35cm                   |
| WEIGHT                    | 2.1 kg                    |
| LAMPHOLDER                | G9                        |
| MAX WATTAGE               | 6.5W                      |
| VOLTAGE                   | 220/240v                  |
| IP RATING                 | IP20                      |
| CLASS PROTECTION          | Class I                   |
| SHADE                     | GL196   MLCS003   MLCS071 |
| FLEX   BAR   CHAIN LENGTH | n/a                       |
| CABLE TYPE                | -                         |

FIXING BRACKET: MLWB11



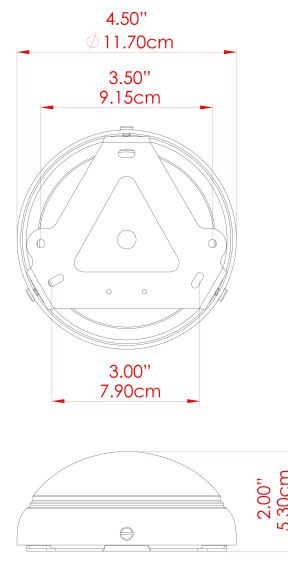
# NAKAI Ceramic Wall Light

MLCMWL038PCMBKFR Matt Black



|                           |                           |
|---------------------------|---------------------------|
| MATERIAL                  | Brass   Ceramic   Glass   |
| HEIGHT                    | 24cm                      |
| WIDTH   DIAMETER          | 20cm                      |
| LENGTH   PROJECTION       | 31-35cm                   |
| WEIGHT                    | 2.1 kg                    |
| LAMPHOLDER                | G9                        |
| MAX WATTAGE               | 6.5W                      |
| VOLTAGE                   | 220/240v                  |
| IP RATING                 | IP20                      |
| CLASS PROTECTION          | Class I                   |
| SHADE                     | GL208   MLCS003   MLCS071 |
| FLEX   BAR   CHAIN LENGTH | n/a                       |
| CABLE TYPE                | -                         |

FIXING BRACKET: MLWB11

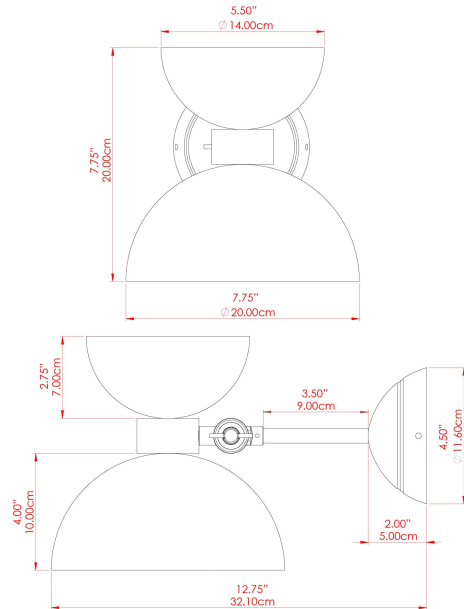


# NAKAI Ceramic Wall Light

MLCMWL038PCMBKOP Matt Black

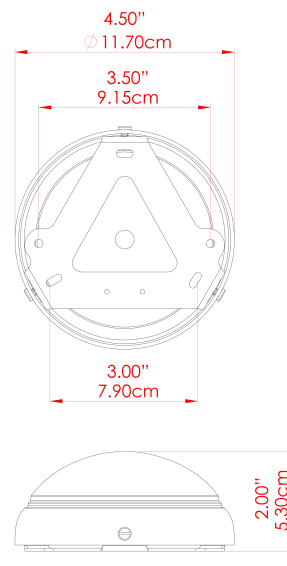


POWDER-COATED  
MATTE BLACK



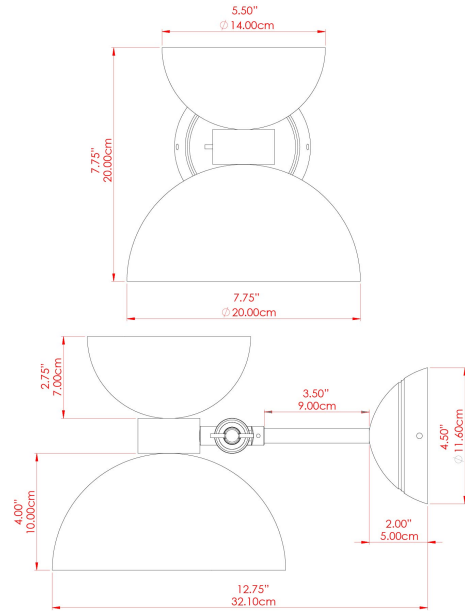
|                           |                           |
|---------------------------|---------------------------|
| MATERIAL                  | Brass   Ceramic   Glass   |
| HEIGHT                    | 24cm                      |
| WIDTH   DIAMETER          | 20cm                      |
| LENGTH   PROJECTION       | 31-35cm                   |
| WEIGHT                    | 2.1 kg                    |
| LAMPHOLDER                | G9                        |
| MAX WATTAGE               | 6.5W                      |
| VOLTAGE                   | 220/240v                  |
| IP RATING                 | IP20                      |
| CLASS PROTECTION          | Class I                   |
| SHADE                     | GL192   MLCS003   MLCS071 |
| FLEX   BAR   CHAIN LENGTH | n/a                       |
| CABLE TYPE                | -                         |

FIXING BRACKET: MLWB11



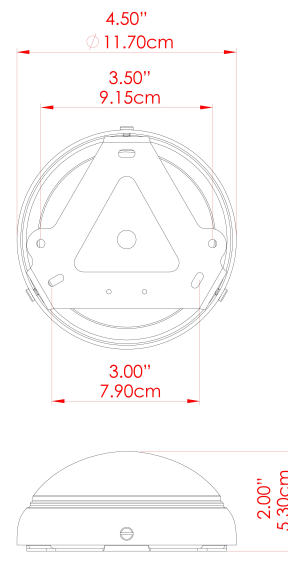
# NAKAI Ceramic Wall Light

## MLCMWL038POLBRSCl Polished Brass



|                           |                           |
|---------------------------|---------------------------|
| MATERIAL                  | Brass   Ceramic   Glass   |
| HEIGHT                    | 24cm                      |
| WIDTH   DIAMETER          | 20cm                      |
| LENGTH   PROJECTION       | 31-35cm                   |
| WEIGHT                    | 2.1 kg                    |
| LAMPHOLDER                | G9                        |
| MAX WATTAGE               | 6.5W                      |
| VOLTAGE                   | 220/240v                  |
| IP RATING                 | IP20                      |
| CLASS PROTECTION          | Class I                   |
| SHADE                     | GL196   MLCS003   MLCS071 |
| FLEX   BAR   CHAIN LENGTH | n/a                       |
| CABLE TYPE                | -                         |

### FIXING BRACKET: MLWB11



WWW.MULLANLIGHTING.COM

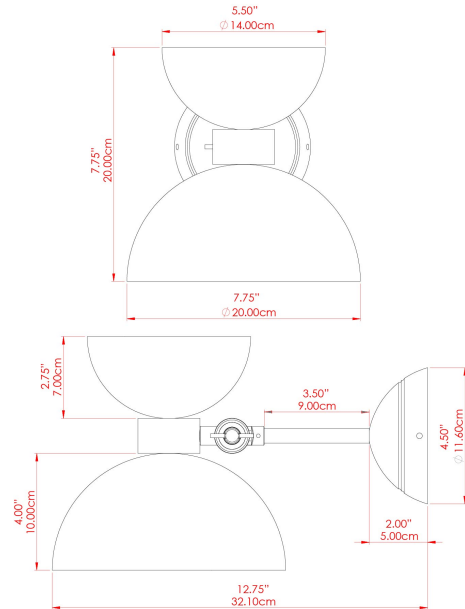
#### Product Notes:

1) Bulbs not included. 2) Dimensions do not include bulbs. 3) All products are individually made-to-order and therefore may differ slightly within manufacturing tolerances. 4) Cable / chain can be shortened during installation. Longer cable / chain lengths available on request. 5) Additional colour finishes may be available on request. 6) Refer to our website for a full list of terms and conditions.



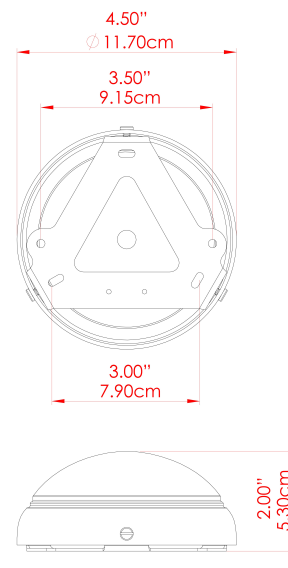
# NAKAI Ceramic Wall Light

## MLCMWL038POLBRSFR Polished Brass



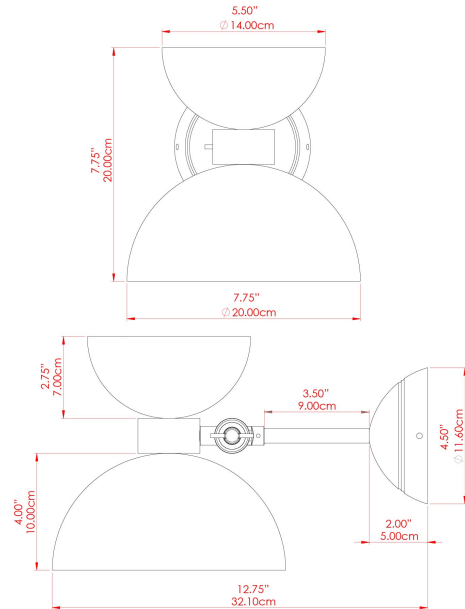
|                           |                           |
|---------------------------|---------------------------|
| MATERIAL                  | Brass   Ceramic   Glass   |
| HEIGHT                    | 24cm                      |
| WIDTH   DIAMETER          | 20cm                      |
| LENGTH   PROJECTION       | 31-35cm                   |
| WEIGHT                    | 2.1 kg                    |
| LAMPHOLDER                | G9                        |
| MAX WATTAGE               | 6.5W                      |
| VOLTAGE                   | 220/240v                  |
| IP RATING                 | IP20                      |
| CLASS PROTECTION          | Class I                   |
| SHADE                     | GL208   MLCS003   MLCS071 |
| FLEX   BAR   CHAIN LENGTH | n/a                       |
| CABLE TYPE                | -                         |

### FIXING BRACKET: MLWB11



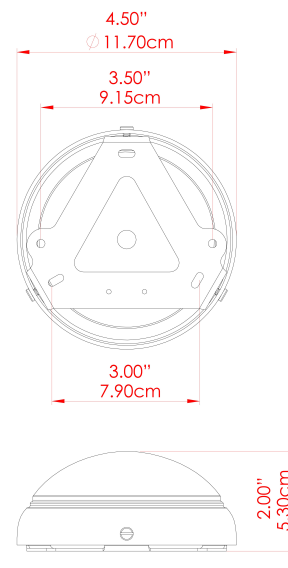
# NAKAI Ceramic Wall Light

MLCMWL038POLBRSOP Polished Brass



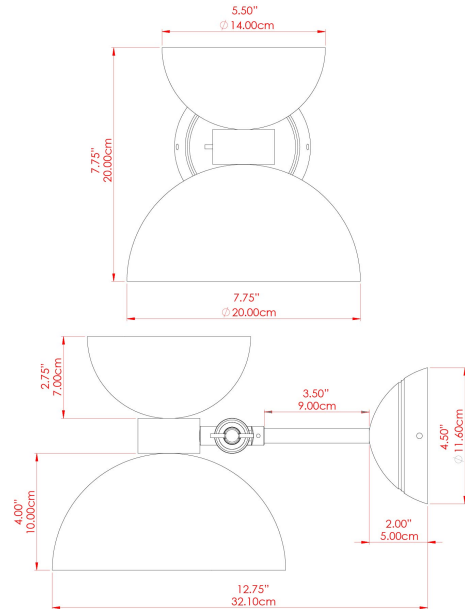
|                           |                           |
|---------------------------|---------------------------|
| MATERIAL                  | Brass   Ceramic   Glass   |
| HEIGHT                    | 24cm                      |
| WIDTH   DIAMETER          | 20cm                      |
| LENGTH   PROJECTION       | 31-35cm                   |
| WEIGHT                    | 2.1 kg                    |
| LAMPHOLDER                | G9                        |
| MAX WATTAGE               | 6.5W                      |
| VOLTAGE                   | 220/240v                  |
| IP RATING                 | IP20                      |
| CLASS PROTECTION          | Class I                   |
| SHADE                     | GL192   MLCS003   MLCS071 |
| FLEX   BAR   CHAIN LENGTH | n/a                       |
| CABLE TYPE                | -                         |

FIXING BRACKET: MLWB11



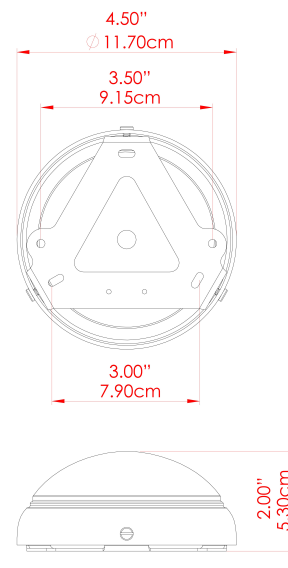
# NAKAI Ceramic Wall Light

## MLCMWL038SATBRSL Satin Brass



|                           |                           |
|---------------------------|---------------------------|
| MATERIAL                  | Brass   Ceramic   Glass   |
| HEIGHT                    | 24cm                      |
| WIDTH   DIAMETER          | 20cm                      |
| LENGTH   PROJECTION       | 31-35cm                   |
| WEIGHT                    | 2.1 kg                    |
| LAMPHOLDER                | G9                        |
| MAX WATTAGE               | 6.5W                      |
| VOLTAGE                   | 220/240v                  |
| IP RATING                 | IP20                      |
| CLASS PROTECTION          | Class I                   |
| SHADE                     | GL196   MLCS003   MLCS071 |
| FLEX   BAR   CHAIN LENGTH | n/a                       |
| CABLE TYPE                | -                         |

### FIXING BRACKET: MLWB11



WWW.MULLANLIGHTING.COM

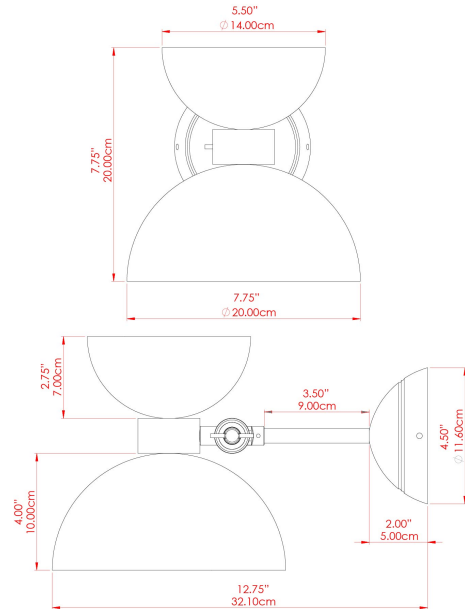
#### Product Notes:

1) Bulbs not included. 2) Dimensions do not include bulbs. 3) All products are individually made-to-order and therefore may differ slightly within manufacturing tolerances. 4) Cable / chain can be shortened during installation. Longer cable / chain lengths available on request. 5) Additional colour finishes may be available on request. 6) Refer to our website for a full list of terms and conditions.



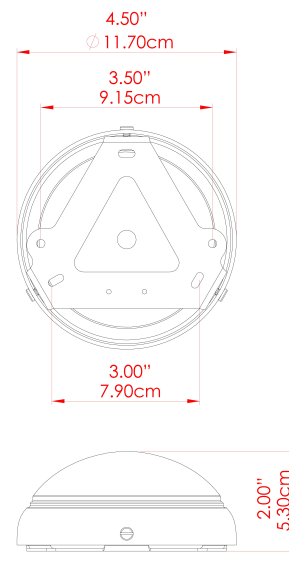
# NAKAI Ceramic Wall Light

MLCMWL038SATBRSFR Satin Brass



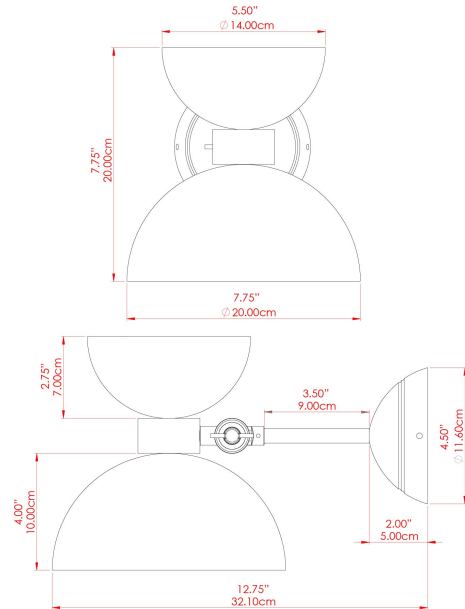
|                           |                           |
|---------------------------|---------------------------|
| MATERIAL                  | Brass   Ceramic   Glass   |
| HEIGHT                    | 24cm                      |
| WIDTH   DIAMETER          | 20cm                      |
| LENGTH   PROJECTION       | 31-35cm                   |
| WEIGHT                    | 2.1 kg                    |
| LAMPHOLDER                | G9                        |
| MAX WATTAGE               | 6.5W                      |
| VOLTAGE                   | 220/240v                  |
| IP RATING                 | IP20                      |
| CLASS PROTECTION          | Class I                   |
| SHADE                     | GL208   MLCS003   MLCS071 |
| FLEX   BAR   CHAIN LENGTH | n/a                       |
| CABLE TYPE                | -                         |

FIXING BRACKET: MLWB11



# NAKAI Ceramic Wall Light

MLCMWL038SATBRSOP Satin Brass



|                           |                           |
|---------------------------|---------------------------|
| MATERIAL                  | Brass   Ceramic   Glass   |
| HEIGHT                    | 24cm                      |
| WIDTH   DIAMETER          | 20cm                      |
| LENGTH   PROJECTION       | 31-35cm                   |
| WEIGHT                    | 2.1 kg                    |
| LAMPHOLDER                | G9                        |
| MAX WATTAGE               | 6.5W                      |
| VOLTAGE                   | 220/240v                  |
| IP RATING                 | IP20                      |
| CLASS PROTECTION          | Class I                   |
| SHADE                     | GL192   MLCS003   MLCS071 |
| FLEX   BAR   CHAIN LENGTH | n/a                       |
| CABLE TYPE                | -                         |

FIXING BRACKET: MLWB11

