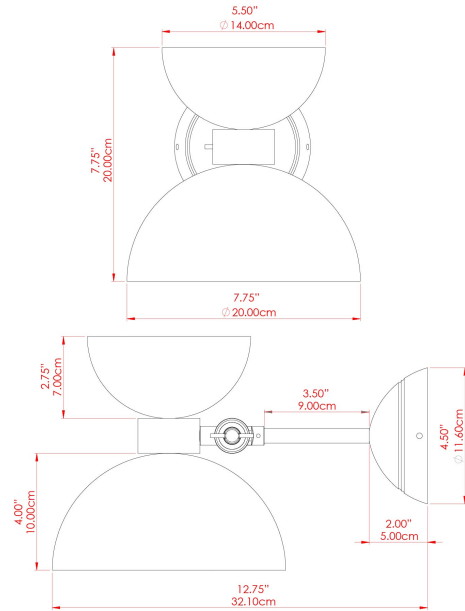


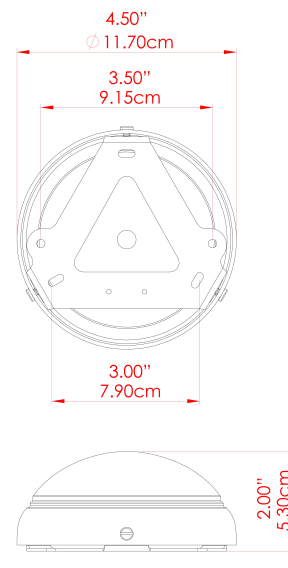
NAKAI Ceramic Wall Light

MLCMWL037ANTBRSC Antique Brass



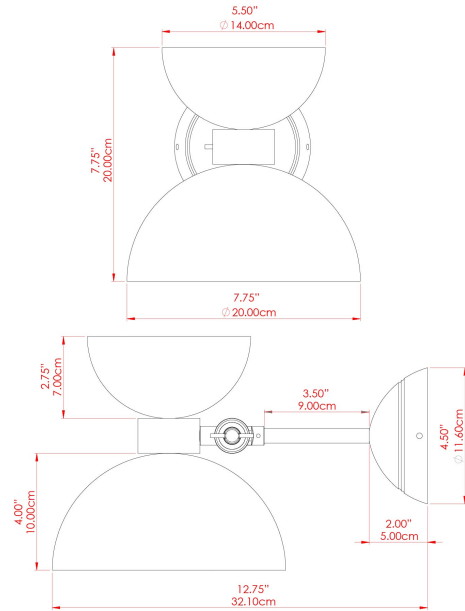
MATERIAL	Brass Ceramic Glass
HEIGHT	24cm
WIDTH DIAMETER	20cm
LENGTH PROJECTION	31-35cm
WEIGHT	2.1 kg
LAMPHOLDER	G9
MAX WATTAGE	6.5W
VOLTAGE	220/240v
IP RATING	IP20
CLASS PROTECTION	Class I
SHADE	GL196 MLCS001 MLCS070
FLEX BAR CHAIN LENGTH	n/a
CABLE TYPE	-

FIXING BRACKET: MLWB11



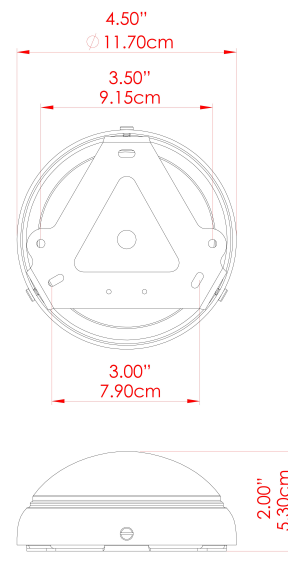
NAKAI Ceramic Wall Light

MLCMWL037ANTBRSFR Antique Brass



MATERIAL	Brass Ceramic Glass
HEIGHT	24cm
WIDTH DIAMETER	20cm
LENGTH PROJECTION	31-35cm
WEIGHT	2.1 kg
LAMPHOLDER	G9
MAX WATTAGE	6.5W
VOLTAGE	220/240v
IP RATING	IP20
CLASS PROTECTION	Class I
SHADE	GL208 MLCS001 MLCS070
FLEX BAR CHAIN LENGTH	n/a
CABLE TYPE	-

FIXING BRACKET: MLWB11



WWW.MULLANLIGHTING.COM

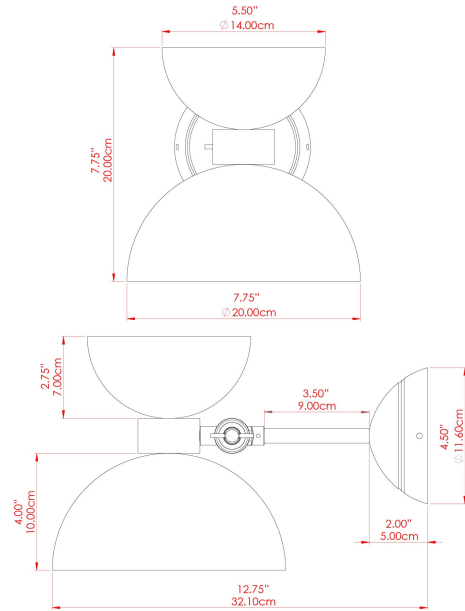
Product Notes:

1) Bulbs not included. 2) Dimensions do not include bulbs. 3) All products are individually made-to-order and therefore may differ slightly within manufacturing tolerances. 4) Cable / chain can be shortened during installation. Longer cable / chain lengths available on request. 5) Additional colour finishes may be available on request. 6) Refer to our website for a full list of terms and conditions.



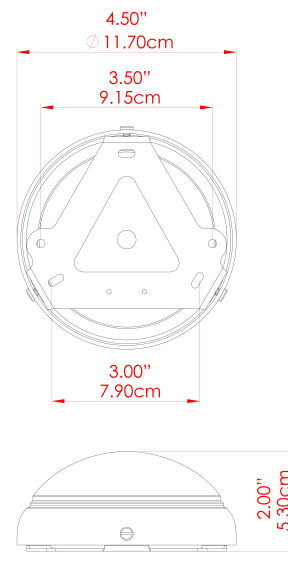
NAKAI Ceramic Wall Light

MLCMWL037ANTBRSOP Antique Brass



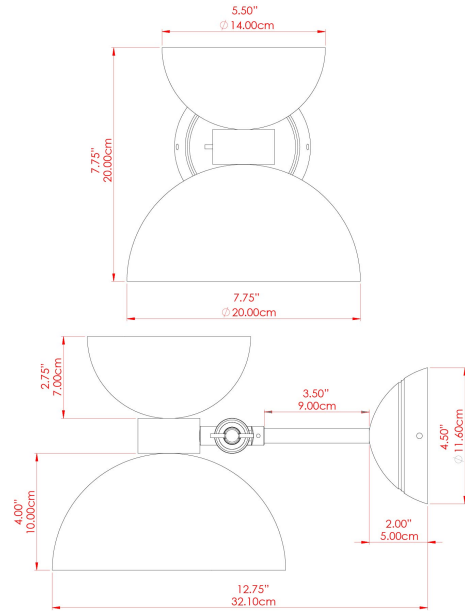
MATERIAL	Brass Ceramic Glass
HEIGHT	24cm
WIDTH DIAMETER	20cm
LENGTH PROJECTION	31-35cm
WEIGHT	2.1 kg
LAMPHOLDER	G9
MAX WATTAGE	6.5W
VOLTAGE	220/240v
IP RATING	IP20
CLASS PROTECTION	Class I
SHADE	GL192 MLCS001 MLCS070
FLEX BAR CHAIN LENGTH	n/a
CABLE TYPE	-

FIXING BRACKET: MLWB11



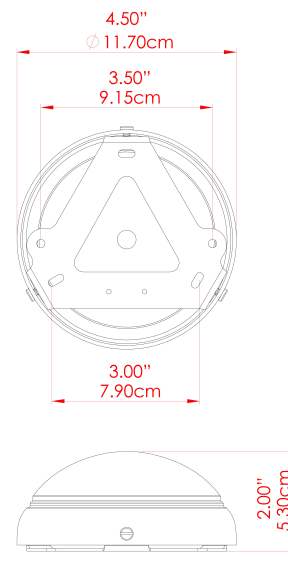
NAKAI Ceramic Wall Light

MLCMWL037ANTSLVCL Antique Silver



MATERIAL	Brass Ceramic Glass
HEIGHT	24cm
WIDTH DIAMETER	20cm
LENGTH PROJECTION	31-35cm
WEIGHT	2.1 kg
LAMPHOLDER	G9
MAX WATTAGE	6.5W
VOLTAGE	220/240v
IP RATING	IP20
CLASS PROTECTION	Class I
SHADE	GL196 MLCS001 MLCS070
FLEX BAR CHAIN LENGTH	n/a
CABLE TYPE	-

FIXING BRACKET: MLWB11



WWW.MULLANLIGHTING.COM

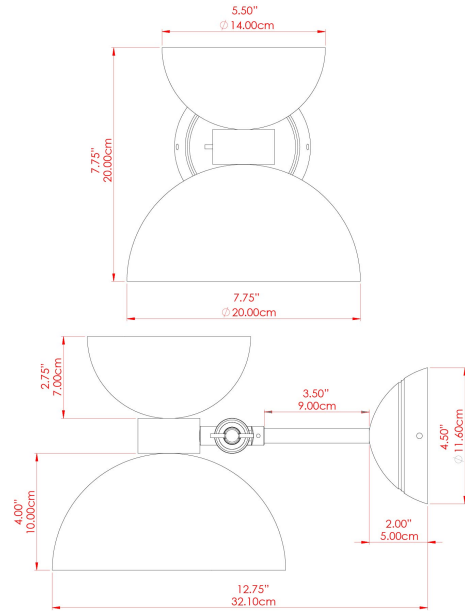
Product Notes:

1) Bulbs not included. 2) Dimensions do not include bulbs. 3) All products are individually made-to-order and therefore may differ slightly within manufacturing tolerances. 4) Cable / chain can be shortened during installation. Longer cable / chain lengths available on request. 5) Additional colour finishes may be available on request. 6) Refer to our website for a full list of terms and conditions.



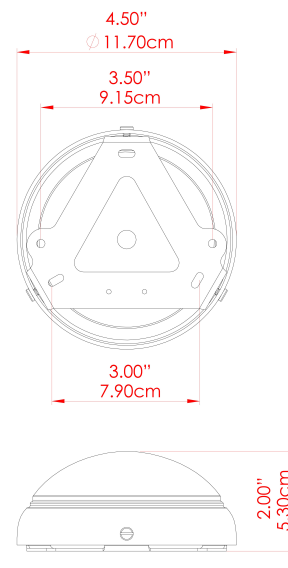
NAKAI Ceramic Wall Light

MLCMWL037ANTSLVFR Antique Silver



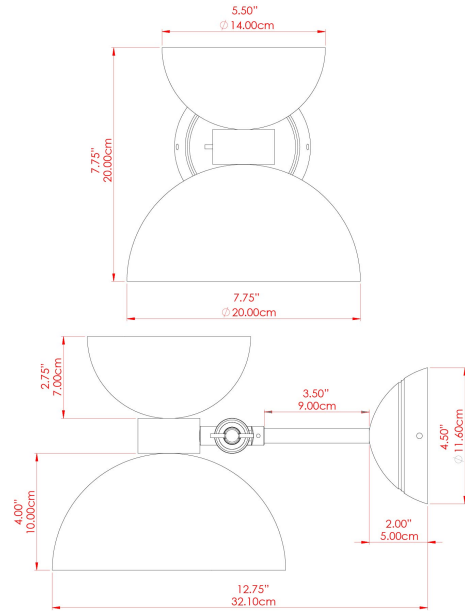
MATERIAL	Brass Ceramic Glass
HEIGHT	24cm
WIDTH DIAMETER	20cm
LENGTH PROJECTION	31-35cm
WEIGHT	2.1 kg
LAMPHOLDER	G9
MAX WATTAGE	6.5W
VOLTAGE	220/240v
IP RATING	IP20
CLASS PROTECTION	Class I
SHADE	GL208 MLCS001 MLCS070
FLEX BAR CHAIN LENGTH	n/a
CABLE TYPE	-

FIXING BRACKET: MLWB11



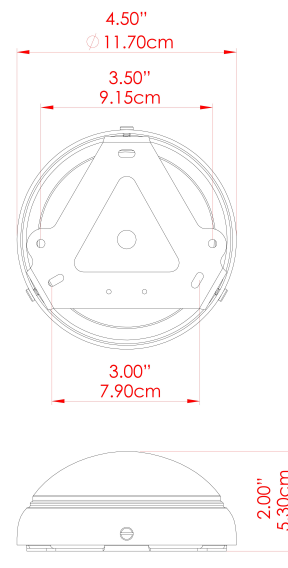
NAKAI Ceramic Wall Light

MLCMWL037ANTSLVOP Antique Silver



MATERIAL	Brass Ceramic Glass
HEIGHT	24cm
WIDTH DIAMETER	20cm
LENGTH PROJECTION	31-35cm
WEIGHT	2.1 kg
LAMPHOLDER	G9
MAX WATTAGE	6.5W
VOLTAGE	220/240v
IP RATING	IP20
CLASS PROTECTION	Class I
SHADE	GL192 MLCS001 MLCS070
FLEX BAR CHAIN LENGTH	n/a
CABLE TYPE	-

FIXING BRACKET: MLWB11



WWW.MULLANLIGHTING.COM

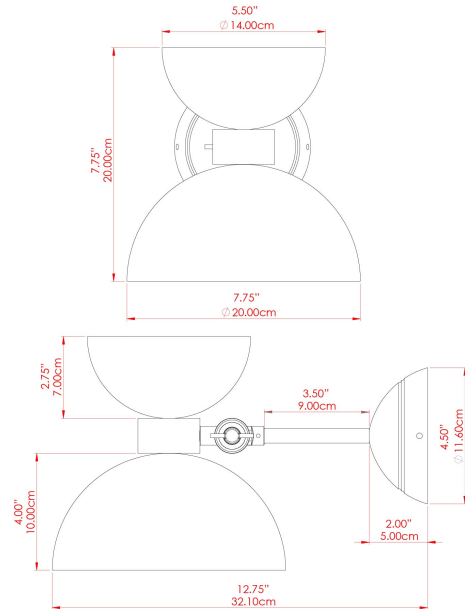
Product Notes:

1) Bulbs not included. 2) Dimensions do not include bulbs. 3) All products are individually made-to-order and therefore may differ slightly within manufacturing tolerances. 4) Cable / chain can be shortened during installation. Longer cable / chain lengths available on request. 5) Additional colour finishes may be available on request. 6) Refer to our website for a full list of terms and conditions.



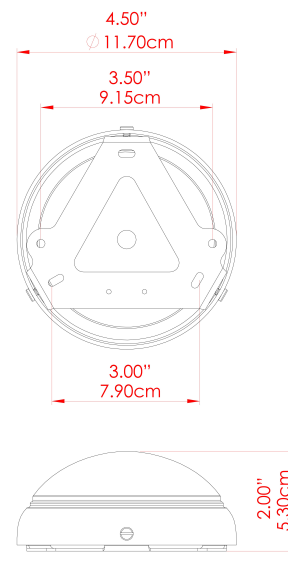
NAKAI Ceramic Wall Light

MLCMWL037PCMBKCL Matt Black



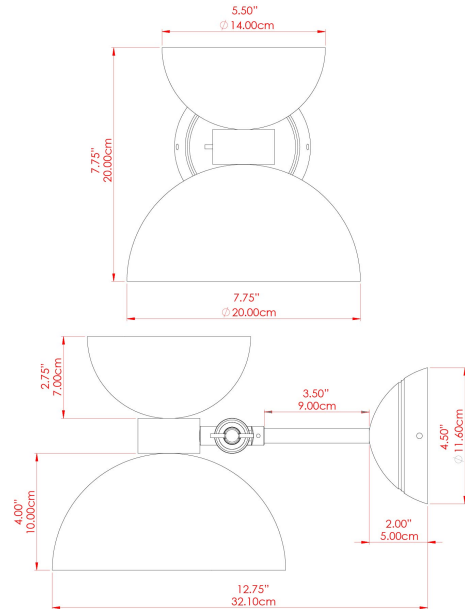
MATERIAL	Brass Ceramic Glass
HEIGHT	24cm
WIDTH DIAMETER	20cm
LENGTH PROJECTION	31-35cm
WEIGHT	2.1 kg
LAMPHOLDER	G9
MAX WATTAGE	6.5W
VOLTAGE	220/240v
IP RATING	IP20
CLASS PROTECTION	Class I
SHADE	GL196 MLCS001 MLCS070
FLEX BAR CHAIN LENGTH	n/a
CABLE TYPE	-

FIXING BRACKET: MLWB11



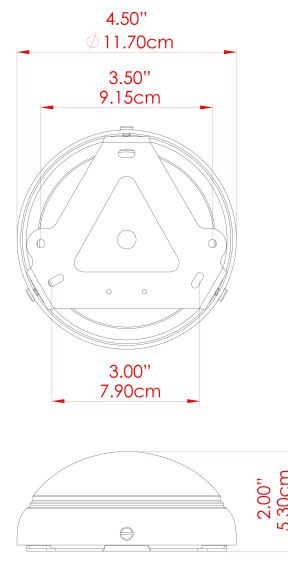
NAKAI Ceramic Wall Light

MLCMWL037PCMBKFR Matt Black



MATERIAL	Brass Ceramic Glass
HEIGHT	24cm
WIDTH DIAMETER	20cm
LENGTH PROJECTION	31-35cm
WEIGHT	2.1 kg
LAMPHOLDER	G9
MAX WATTAGE	6.5W
VOLTAGE	220/240v
IP RATING	IP20
CLASS PROTECTION	Class I
SHADE	GL208 MLCS001 MLCS070
FLEX BAR CHAIN LENGTH	n/a
CABLE TYPE	-

FIXING BRACKET: MLWB11



WWW.MULLANLIGHTING.COM

Product Notes:

1) Bulbs not included. 2) Dimensions do not include bulbs. 3) All products are individually made-to-order and therefore may differ slightly within manufacturing tolerances. 4) Cable / chain can be shortened during installation. Longer cable / chain lengths available on request. 5) Additional colour finishes may be available on request. 6) Refer to our website for a full list of terms and conditions.

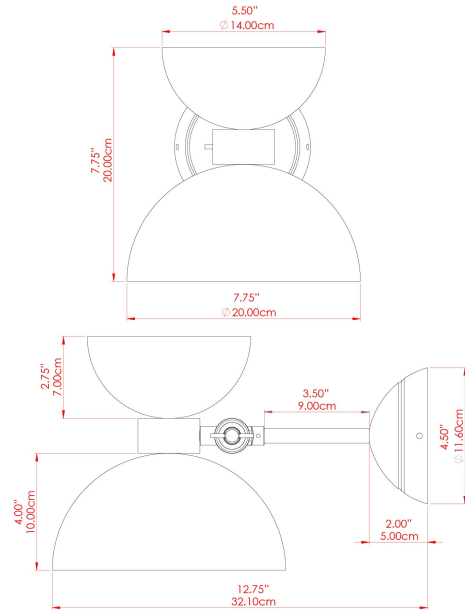


NAKAI Ceramic Wall Light

MLCMWL037PCMBKOP Matt Black

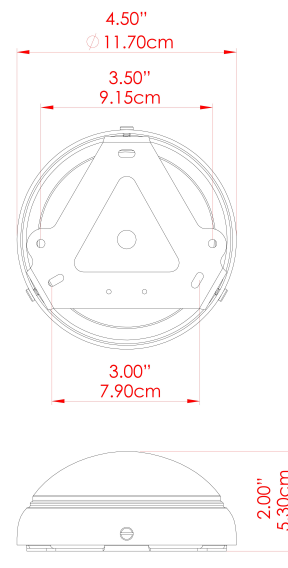


POWDER-COATED
MATTE BLACK



MATERIAL	Brass Ceramic Glass
HEIGHT	24cm
WIDTH DIAMETER	20cm
LENGTH PROJECTION	31-35cm
WEIGHT	2.1 kg
LAMPHOLDER	G9
MAX WATTAGE	6.5W
VOLTAGE	220/240v
IP RATING	IP20
CLASS PROTECTION	Class I
SHADE	GL192 MLCS001 MLCS070
FLEX BAR CHAIN LENGTH	n/a
CABLE TYPE	-

FIXING BRACKET: MLWB11



WWW.MULLANLIGHTING.COM

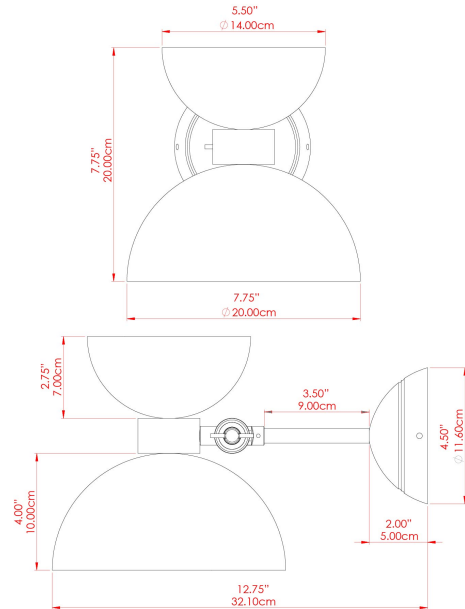
Product Notes:

1) Bulbs not included. 2) Dimensions do not include bulbs. 3) All products are individually made-to-order and therefore may differ slightly within manufacturing tolerances. 4) Cable / chain can be shortened during installation. Longer cable / chain lengths available on request. 5) Additional colour finishes may be available on request. 6) Refer to our website for a full list of terms and conditions.



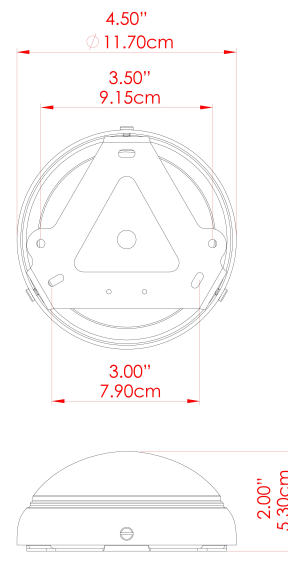
NAKAI Ceramic Wall Light

MLCMWL037POLBRSCl Polished Brass



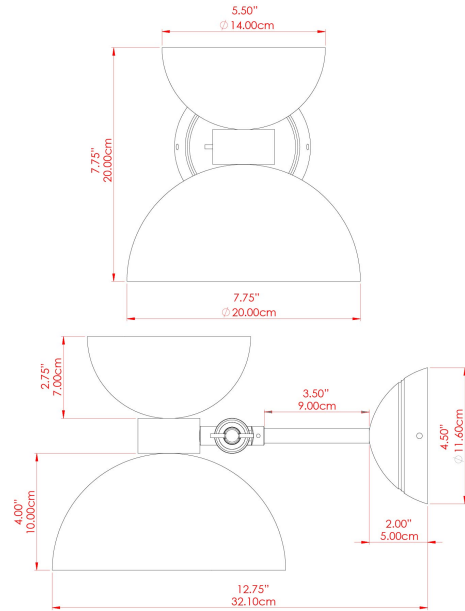
MATERIAL	Brass Ceramic Glass
HEIGHT	24cm
WIDTH DIAMETER	20cm
LENGTH PROJECTION	31-35cm
WEIGHT	2.1 kg
LAMPHOLDER	G9
MAX WATTAGE	6.5W
VOLTAGE	220/240v
IP RATING	IP20
CLASS PROTECTION	Class I
SHADE	GL196 MLCS001 MLCS070
FLEX BAR CHAIN LENGTH	n/a
CABLE TYPE	-

FIXING BRACKET: MLWB11



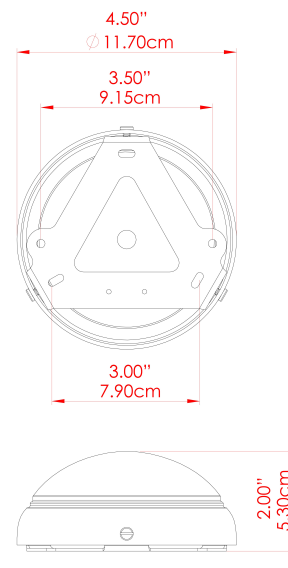
NAKAI Ceramic Wall Light

MLCMWL037POLBRSFR Polished Brass



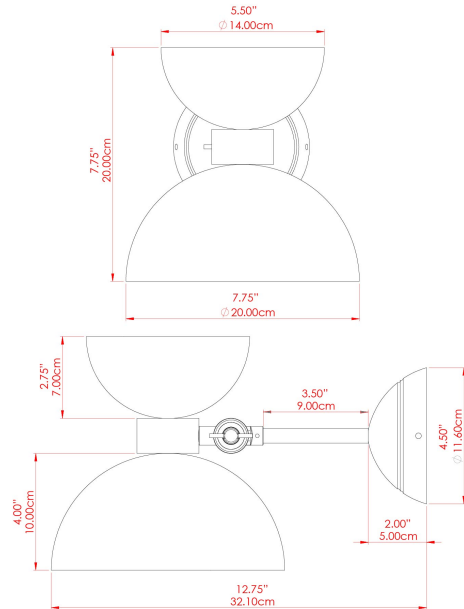
MATERIAL	Brass Ceramic Glass
HEIGHT	24cm
WIDTH DIAMETER	20cm
LENGTH PROJECTION	31-35cm
WEIGHT	2.1 kg
LAMPHOLDER	G9
MAX WATTAGE	6.5W
VOLTAGE	220/240v
IP RATING	IP20
CLASS PROTECTION	Class I
SHADE	GL208 MLCS001 MLCS070
FLEX BAR CHAIN LENGTH	n/a
CABLE TYPE	-

FIXING BRACKET: MLWB11



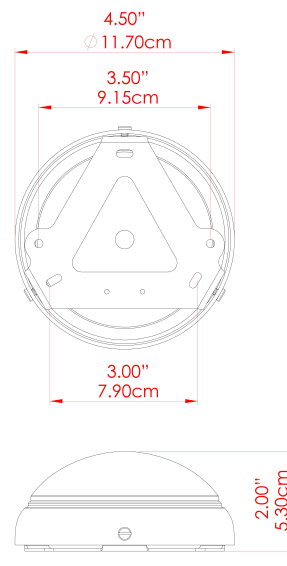
NAKAI Ceramic Wall Light

MLCMWL037POLBRSOP Polished Brass



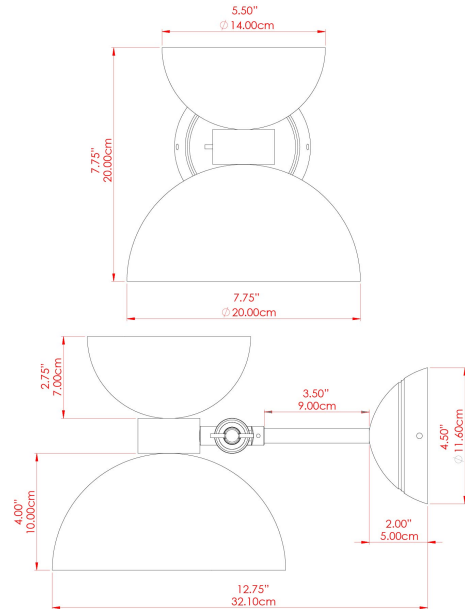
MATERIAL	Brass Ceramic Glass
HEIGHT	24cm
WIDTH DIAMETER	20cm
LENGTH PROJECTION	31-35cm
WEIGHT	2.1 kg
LAMPHOLDER	G9
MAX WATTAGE	6.5W
VOLTAGE	220/240v
IP RATING	IP20
CLASS PROTECTION	Class I
SHADE	GL192 MLCS001 MLCS070
FLEX BAR CHAIN LENGTH	n/a
CABLE TYPE	-

FIXING BRACKET: MLWB11



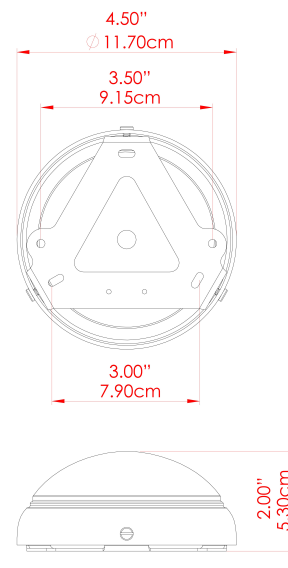
NAKAI Ceramic Wall Light

MLCMWL037SATBRSL Satin Brass



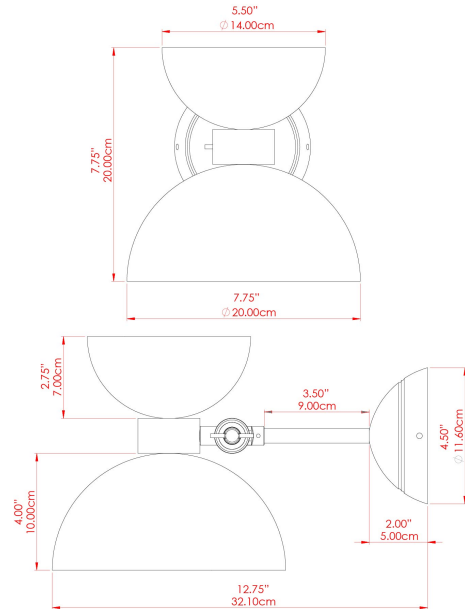
MATERIAL	Brass Ceramic Glass
HEIGHT	24cm
WIDTH DIAMETER	20cm
LENGTH PROJECTION	31-35cm
WEIGHT	2.1 kg
LAMPHOLDER	G9
MAX WATTAGE	6.5W
VOLTAGE	220/240v
IP RATING	IP20
CLASS PROTECTION	Class I
SHADE	GL196 MLCS001 MLCS070
FLEX BAR CHAIN LENGTH	n/a
CABLE TYPE	-

FIXING BRACKET: MLWB11



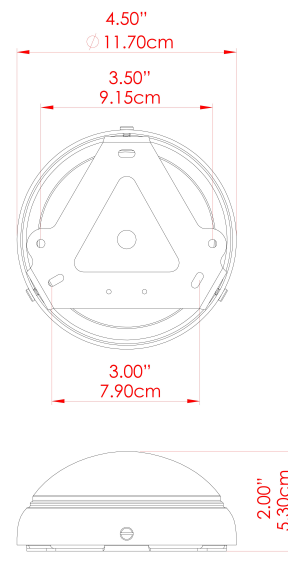
NAKAI Ceramic Wall Light

MLCMWL037SATBRSFR Satin Brass



MATERIAL	Brass Ceramic Glass
HEIGHT	24cm
WIDTH DIAMETER	20cm
LENGTH PROJECTION	31-35cm
WEIGHT	2.1 kg
LAMPHOLDER	G9
MAX WATTAGE	6.5W
VOLTAGE	220/240v
IP RATING	IP20
CLASS PROTECTION	Class I
SHADE	GL208 MLCS001 MLCS070
FLEX BAR CHAIN LENGTH	n/a
CABLE TYPE	-

FIXING BRACKET: MLWB11



WWW.MULLANLIGHTING.COM

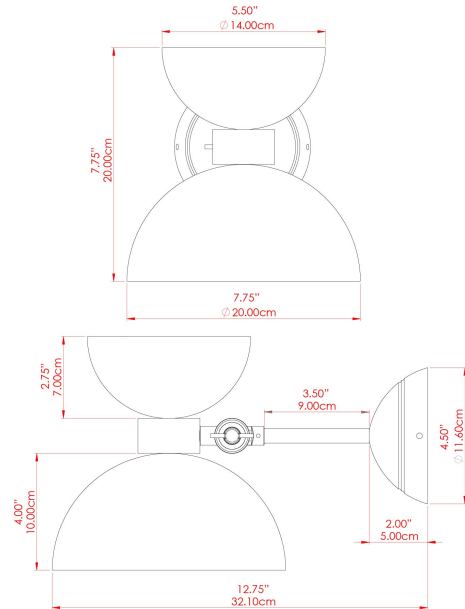
Product Notes:

1) Bulbs not included. 2) Dimensions do not include bulbs. 3) All products are individually made-to-order and therefore may differ slightly within manufacturing tolerances. 4) Cable / chain can be shortened during installation. Longer cable / chain lengths available on request. 5) Additional colour finishes may be available on request. 6) Refer to our website for a full list of terms and conditions.



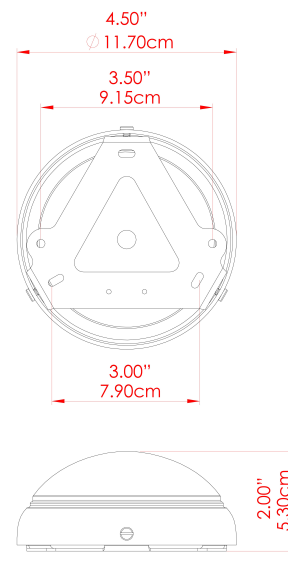
NAKAI Ceramic Wall Light

MLCMWL037SATBRSOP Satin Brass



MATERIAL	Brass Ceramic Glass
HEIGHT	24cm
WIDTH DIAMETER	20cm
LENGTH PROJECTION	31-35cm
WEIGHT	2.1 kg
LAMPHOLDER	G9
MAX WATTAGE	6.5W
VOLTAGE	220/240v
IP RATING	IP20
CLASS PROTECTION	Class I
SHADE	GL192 MLCS001 MLCS070
FLEX BAR CHAIN LENGTH	n/a
CABLE TYPE	-

FIXING BRACKET: MLWB11



WWW.MULLANLIGHTING.COM

Product Notes:

1) Bulbs not included. 2) Dimensions do not include bulbs. 3) All products are individually made-to-order and therefore may differ slightly within manufacturing tolerances. 4) Cable / chain can be shortened during installation. Longer cable / chain lengths available on request. 5) Additional colour finishes may be available on request. 6) Refer to our website for a full list of terms and conditions.

