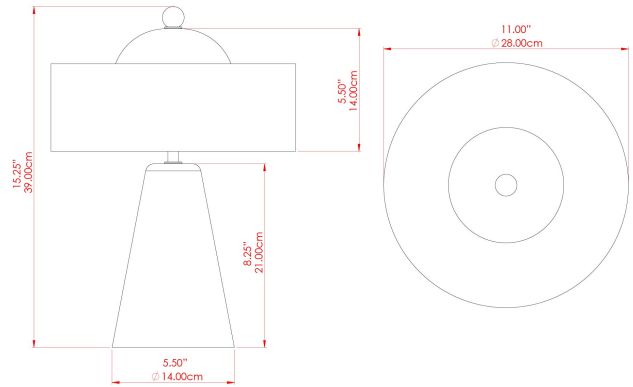


SEVILLE Ceramic Table Lamp

MLCMTL041ANTBRS Antique Brass



MATERIAL	Ceramic Brass
HEIGHT	40cm
WIDTH DIAMETER	28cm
LENGTH PROJECTION	n/a
WEIGHT	4.9 kg
LAMPHOLDER	G9
MAX WATTAGE	5W
VOLTAGE	220/240v
IP RATING	IP20
CLASS PROTECTION	Class I
SHADE	MLCS081
FLEX BAR CHAIN LENGTH	n/a
CABLE TYPE	MLCA002 Brown Fabric Braided Cable 2 Core Twisted

FIXING BRACKET: -

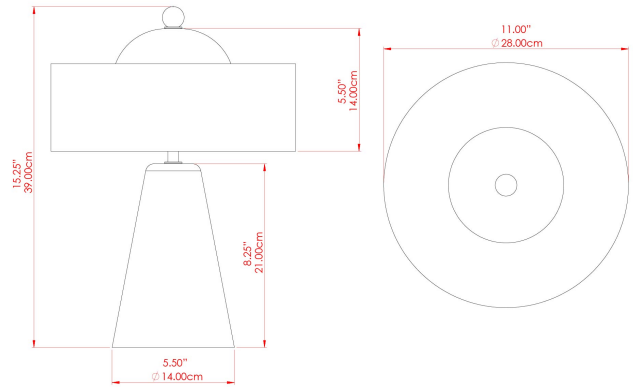


Product Notes:
 1) Bulbs not included. 2) Dimensions do not include bulbs. 3) All products are individually made-to-order and therefore may differ slightly within manufacturing tolerances. 4) Cable / chain can be shortened during installation. Longer cable / chain lengths available on request. 5) Additional colour finishes may be available on request. 6) Refer to our website for a full list of terms and conditions.



SEVILLE Ceramic Table Lamp

MLCMTL041ANTSLV Antique Silver



MATERIAL	Ceramic Brass
HEIGHT	40cm
WIDTH DIAMETER	28cm
LENGTH PROJECTION	n/a
WEIGHT	4.9 kg
LAMPHOLDER	G9
MAX WATTAGE	5W
VOLTAGE	220/240v
IP RATING	IP20
CLASS PROTECTION	Class I
SHADE	MLCS081
FLEX BAR CHAIN LENGTH	n/a
CABLE TYPE	MLCA001 Black Fabric Braided Cable 2 Core Twisted

FIXING BRACKET: -



WWW.MULLANLIGHTING.COM

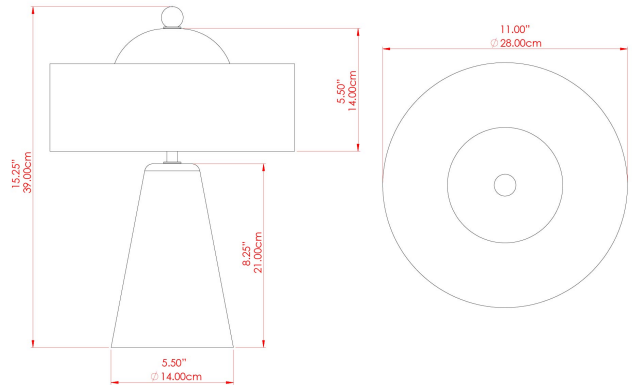
Product Notes:

1) Bulbs not included. 2) Dimensions do not include bulbs. 3) All products are individually made-to-order and therefore may differ slightly within manufacturing tolerances. 4) Cable / chain can be shortened during installation. Longer cable / chain lengths available on request. 5) Additional colour finishes may be available on request. 6) Refer to our website for a full list of terms and conditions.



SEVILLE Ceramic Table Lamp

MLCMTL041PCMBK Matt Black



MATERIAL	Ceramic Brass
HEIGHT	40cm
WIDTH DIAMETER	28cm
LENGTH PROJECTION	n/a
WEIGHT	4.9 kg
LAMPHOLDER	G9
MAX WATTAGE	5W
VOLTAGE	220/240v
IP RATING	IP20
CLASS PROTECTION	Class I
SHADE	MLCS081
FLEX BAR CHAIN LENGTH	n/a
CABLE TYPE	MLCA001 Black Fabric Braided Cable 2 Core Twisted

FIXING BRACKET: -

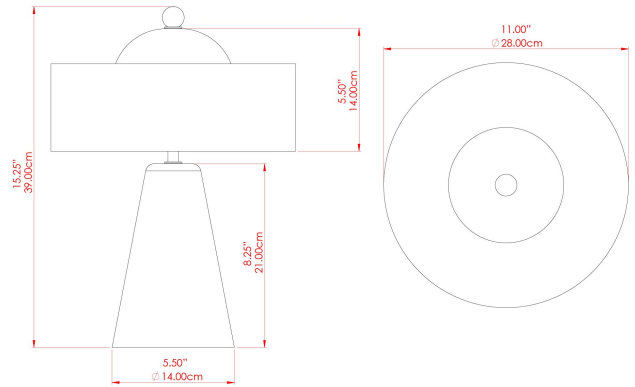


Product Notes:
 1) Bulbs not included. 2) Dimensions do not include bulbs. 3) All products are individually made-to-order and therefore may differ slightly within manufacturing tolerances. 4) Cable / chain can be shortened during installation. Longer cable / chain lengths available on request. 5) Additional colour finishes may be available on request. 6) Refer to our website for a full list of terms and conditions.



SEVILLE Ceramic Table Lamp

MLCMTL041POLBRS Polished Brass



MATERIAL	Ceramic Brass
HEIGHT	40cm
WIDTH DIAMETER	28cm
LENGTH PROJECTION	n/a
WEIGHT	4.9 kg
LAMPHOLDER	G9
MAX WATTAGE	5W
VOLTAGE	220/240v
IP RATING	IP20
CLASS PROTECTION	Class I
SHADE	MLCS081
FLEX BAR CHAIN LENGTH	n/a
CABLE TYPE	MLCA001 Black Fabric Braided Cable 2 Core Twisted

FIXING BRACKET: -

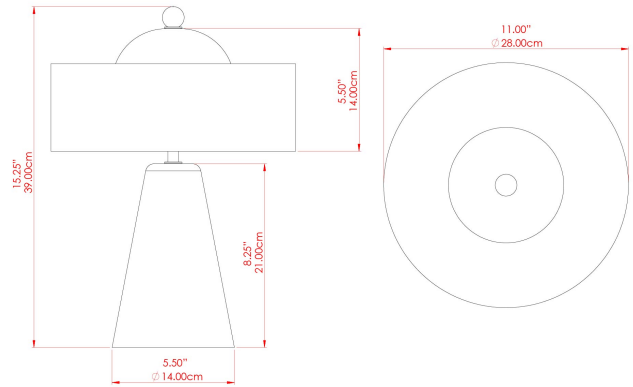


Product Notes:
 1) Bulbs not included. 2) Dimensions do not include bulbs. 3) All products are individually made-to-order and therefore may differ slightly within manufacturing tolerances. 4) Cable / chain can be shortened during installation. Longer cable / chain lengths available on request. 5) Additional colour finishes may be available on request. 6) Refer to our website for a full list of terms and conditions.



SEVILLE Ceramic Table Lamp

MLCMTL041SATBRS Satin Brass



MATERIAL	Ceramic Brass
HEIGHT	40cm
WIDTH DIAMETER	28cm
LENGTH PROJECTION	n/a
WEIGHT	4.9 kg
LAMPHOLDER	G9
MAX WATTAGE	5W
VOLTAGE	220/240v
IP RATING	IP20
CLASS PROTECTION	Class I
SHADE	MLCS081
FLEX BAR CHAIN LENGTH	n/a
CABLE TYPE	MLCA001 Black Fabric Braided Cable 2 Core Twisted

FIXING BRACKET: -



Product Notes:
 1) Bulbs not included. 2) Dimensions do not include bulbs. 3) All products are individually made-to-order and therefore may differ slightly within manufacturing tolerances. 4) Cable / chain can be shortened during installation. Longer cable / chain lengths available on request. 5) Additional colour finishes may be available on request. 6) Refer to our website for a full list of terms and conditions.

