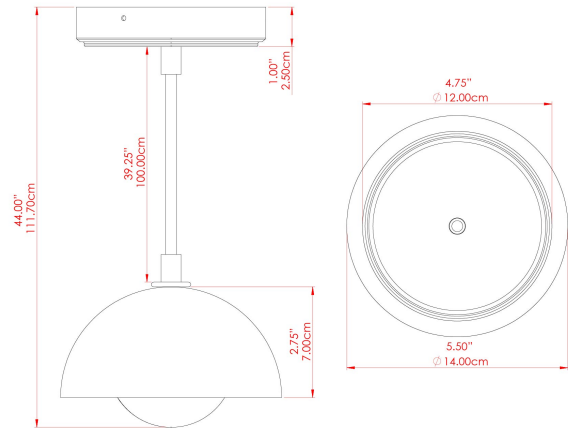


FEROX Ceramic Pendant

MLCMP075ANTBRSL Antique Brass



MATERIAL	Ceramic Brass Glass
HEIGHT	15cm
WIDTH DIAMETER	14cm
LENGTH PROJECTION	n/a
WEIGHT	0.65 kg
LAMPHOLDER	G9
MAX WATTAGE	6.5W
VOLTAGE	220/240v
IP RATING	IP20
CLASS PROTECTION	Class I
SHADE	GL196 MLCS072
FLEX BAR CHAIN LENGTH	100cm
CABLE TYPE	MLCA047 Brown Fabric Braided Cable 2 Core Round

FIXING BRACKET: MLWB17

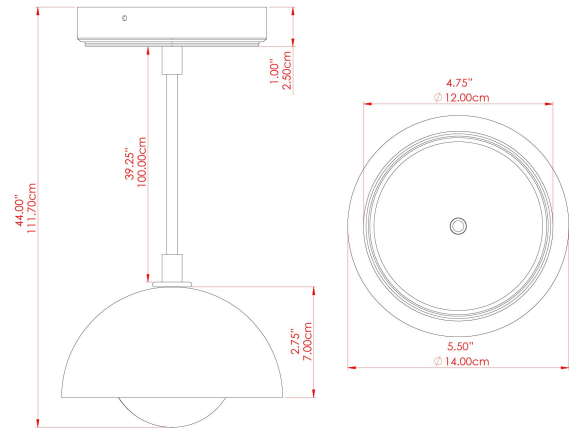


Product Notes:
 1) Bulbs not included. 2) Dimensions do not include bulbs. 3) All products are individually made-to-order and therefore may differ slightly within manufacturing tolerances. 4) Cable / chain can be shortened during installation. Longer cable / chain lengths available on request. 5) Additional colour finishes may be available on request. 6) Refer to our website for a full list of terms and conditions.



FEROX Ceramic Pendant

MLCMP075ANTBRSFR Antique Brass



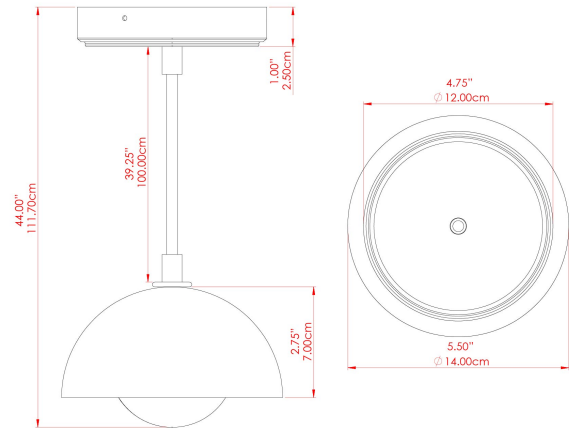
MATERIAL	Ceramic Brass Glass
HEIGHT	15cm
WIDTH DIAMETER	14cm
LENGTH PROJECTION	n/a
WEIGHT	0.65 kg
LAMPHOLDER	G9
MAX WATTAGE	6.5W
VOLTAGE	220/240v
IP RATING	IP20
CLASS PROTECTION	Class I
SHADE	GL208 MLCS072
FLEX BAR CHAIN LENGTH	100cm
CABLE TYPE	MLCA047 Brown Fabric Braided Cable 2 Core Round

FIXING BRACKET: MLWB17



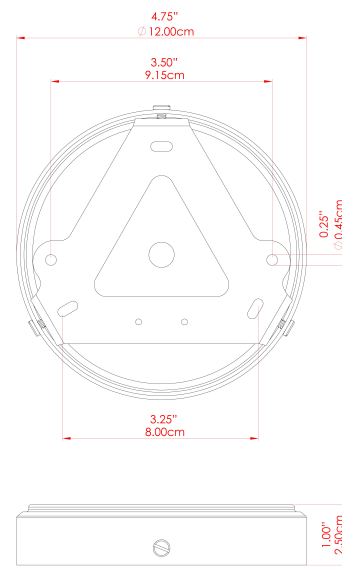
FEROX Ceramic Pendant

MLCMP075ANTBRSOP Antique Brass



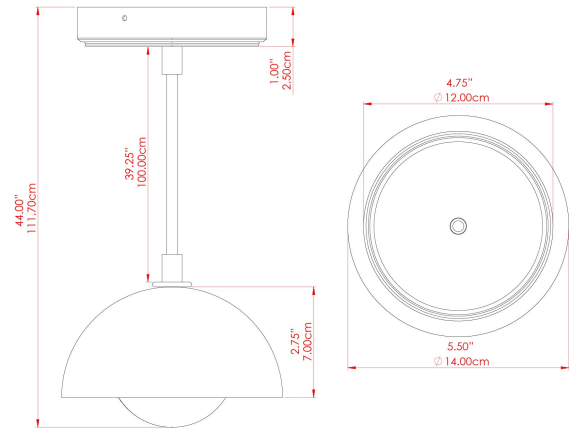
MATERIAL	Ceramic Brass Glass
HEIGHT	15cm
WIDTH DIAMETER	14cm
LENGTH PROJECTION	n/a
WEIGHT	0.65 kg
LAMPHOLDER	G9
MAX WATTAGE	6.5W
VOLTAGE	220/240v
IP RATING	IP20
CLASS PROTECTION	Class I
SHADE	GL192 MLCS072
FLEX BAR CHAIN LENGTH	100cm
CABLE TYPE	MLCA047 Brown Fabric Braided Cable 2 Core Round

FIXING BRACKET: MLWB17



FEROX Ceramic Pendant

MLCMP075ANTSLVCL Antique Silver



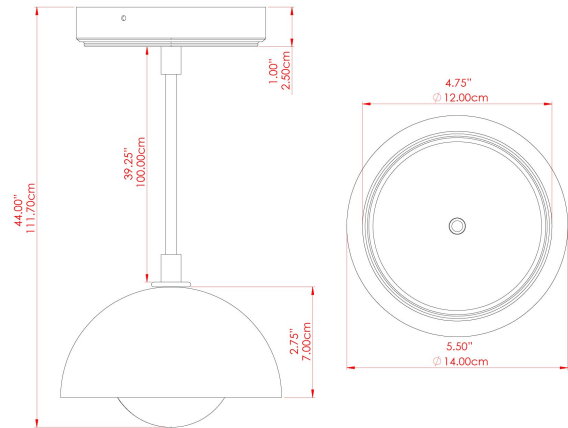
MATERIAL	Ceramic Brass Glass
HEIGHT	15cm
WIDTH DIAMETER	14cm
LENGTH PROJECTION	n/a
WEIGHT	0.65 kg
LAMPHOLDER	G9
MAX WATTAGE	6.5W
VOLTAGE	220/240v
IP RATING	IP20
CLASS PROTECTION	Class I
SHADE	GL196 MLCS072
FLEX BAR CHAIN LENGTH	100cm
CABLE TYPE	MLCA028 Black Fabric Braided Cable 2 Core Round

FIXING BRACKET: MLWB17



FEROX Ceramic Pendant

MLCMP075ANTSLVFR Antique Silver



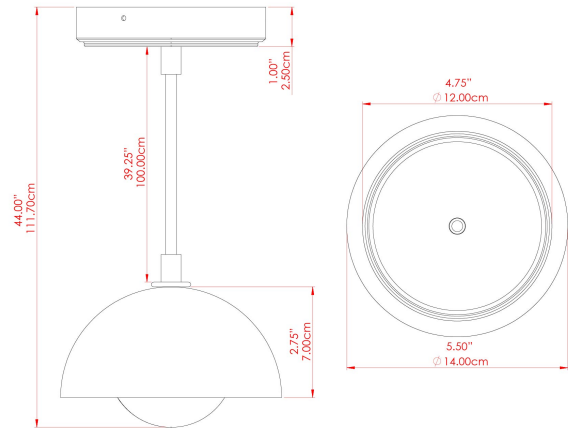
MATERIAL	Ceramic Brass Glass
HEIGHT	15cm
WIDTH DIAMETER	14cm
LENGTH PROJECTION	n/a
WEIGHT	0.65 kg
LAMPHOLDER	G9
MAX WATTAGE	6.5W
VOLTAGE	220/240v
IP RATING	IP20
CLASS PROTECTION	Class I
SHADE	GL208 MLCS072
FLEX BAR CHAIN LENGTH	100cm
CABLE TYPE	MLCA028 Black Fabric Braided Cable 2 Core Round

FIXING BRACKET: MLWB17



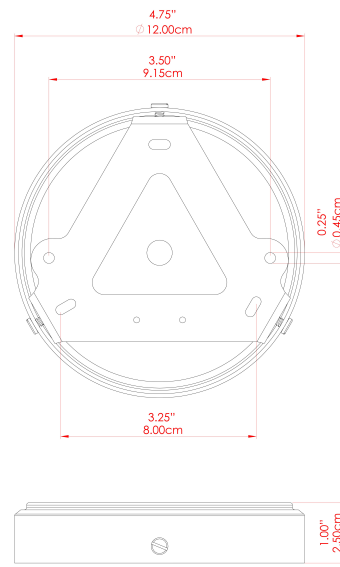
FEROX Ceramic Pendant

MLCMP075ANTSLVOP Antique Silver



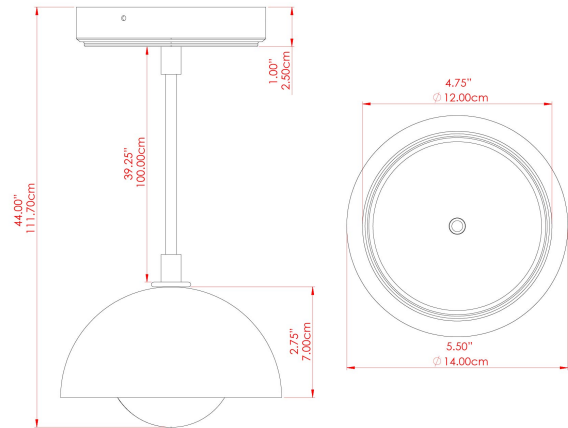
MATERIAL	Ceramic Brass Glass
HEIGHT	15cm
WIDTH DIAMETER	14cm
LENGTH PROJECTION	n/a
WEIGHT	0.65 kg
LAMPHOLDER	G9
MAX WATTAGE	6.5W
VOLTAGE	220/240v
IP RATING	IP20
CLASS PROTECTION	Class I
SHADE	GL192 MLCS072
FLEX BAR CHAIN LENGTH	100cm
CABLE TYPE	MLCA028 Black Fabric Braided Cable 2 Core Round

FIXING BRACKET: MLWB17



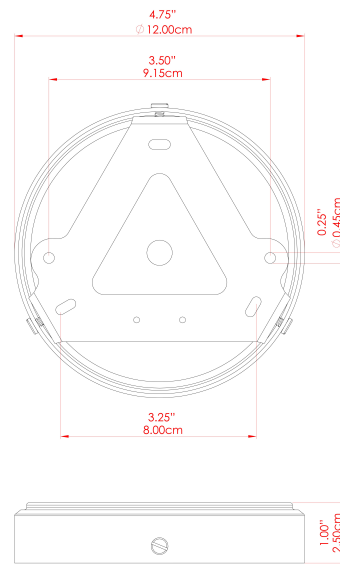
FEROX Ceramic Pendant

MLCMP075PCMBKCL Matt Black



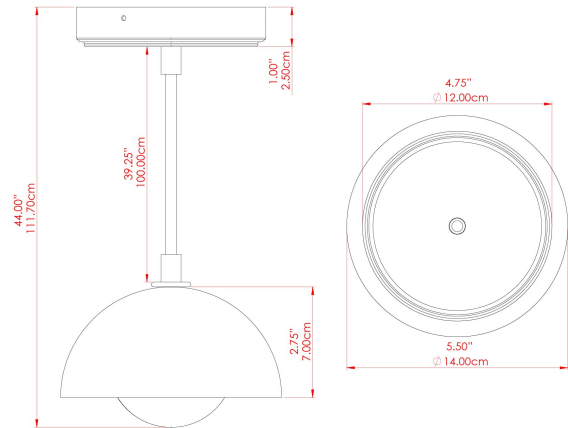
MATERIAL	Ceramic Brass Glass
HEIGHT	15cm
WIDTH DIAMETER	14cm
LENGTH PROJECTION	n/a
WEIGHT	0.65 kg
LAMPHOLDER	G9
MAX WATTAGE	6.5W
VOLTAGE	220/240v
IP RATING	IP20
CLASS PROTECTION	Class I
SHADE	GL196 MLCS072
FLEX BAR CHAIN LENGTH	100cm
CABLE TYPE	MLCA028 Black Fabric Braided Cable 2 Core Round

FIXING BRACKET: MLWB17



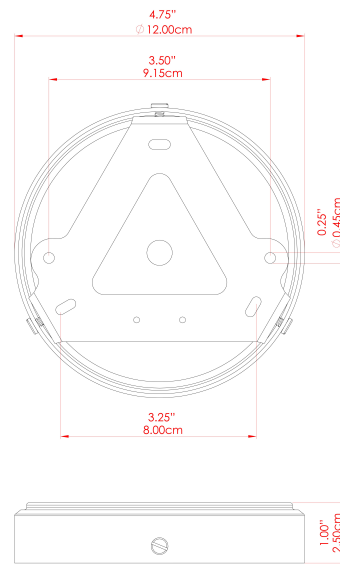
FEROX Ceramic Pendant

MLCMP075PCMBKFR Matt Black



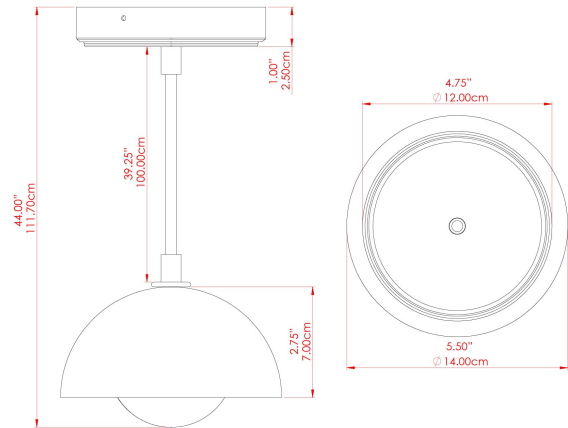
MATERIAL	Ceramic Brass Glass
HEIGHT	15cm
WIDTH DIAMETER	14cm
LENGTH PROJECTION	n/a
WEIGHT	0.65 kg
LAMPHOLDER	G9
MAX WATTAGE	6.5W
VOLTAGE	220/240v
IP RATING	IP20
CLASS PROTECTION	Class I
SHADE	GL208 MLCS072
FLEX BAR CHAIN LENGTH	100cm
CABLE TYPE	MLCA028 Black Fabric Braided Cable 2 Core Round

FIXING BRACKET: MLWB17



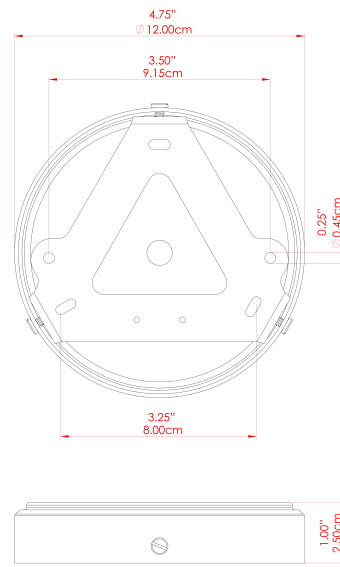
FEROX Ceramic Pendant

MLCMP075PCMBKOP Matt Black



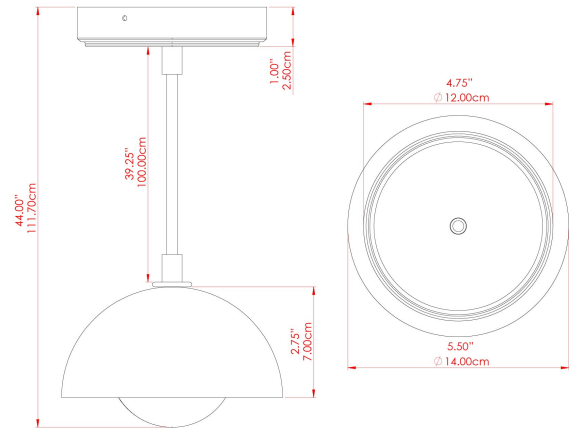
MATERIAL	Ceramic Brass Glass
HEIGHT	15cm
WIDTH DIAMETER	14cm
LENGTH PROJECTION	n/a
WEIGHT	0.65 kg
LAMPHOLDER	G9
MAX WATTAGE	6.5W
VOLTAGE	220/240v
IP RATING	IP20
CLASS PROTECTION	Class I
SHADE	GL192 MLCS072
FLEX BAR CHAIN LENGTH	100cm
CABLE TYPE	MLCA028 Black Fabric Braided Cable 2 Core Round

FIXING BRACKET: MLWB17



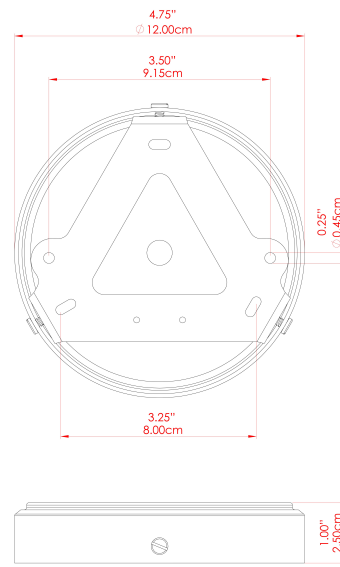
FEROX Ceramic Pendant

MLCMP075POLBRSCl Polished Brass



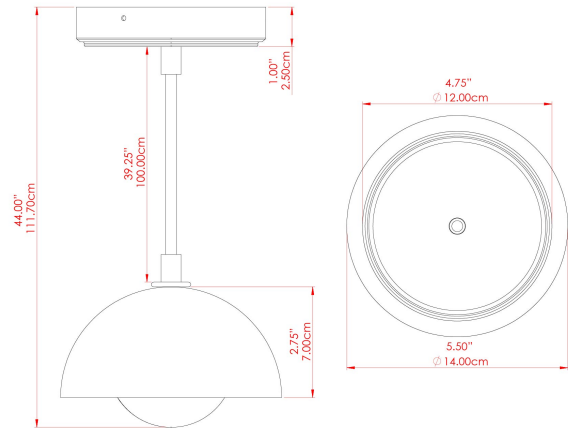
MATERIAL	Ceramic Brass Glass
HEIGHT	15cm
WIDTH DIAMETER	14cm
LENGTH PROJECTION	n/a
WEIGHT	0.65 kg
LAMPHOLDER	G9
MAX WATTAGE	6.5W
VOLTAGE	220/240v
IP RATING	IP20
CLASS PROTECTION	Class I
SHADE	GL196 MLCS072
FLEX BAR CHAIN LENGTH	100cm
CABLE TYPE	MLCA028 Black Fabric Braided Cable 2 Core Round

FIXING BRACKET: MLWB17



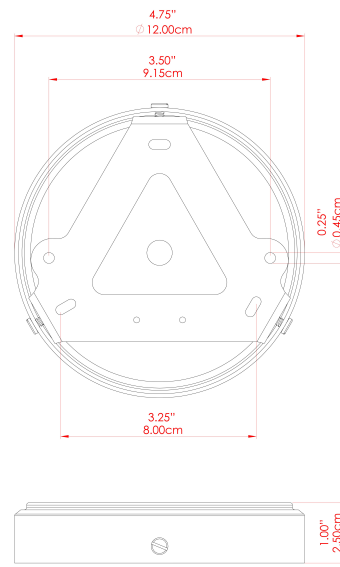
FEROX Ceramic Pendant

MLCMP075POLBRSFR Polished Brass



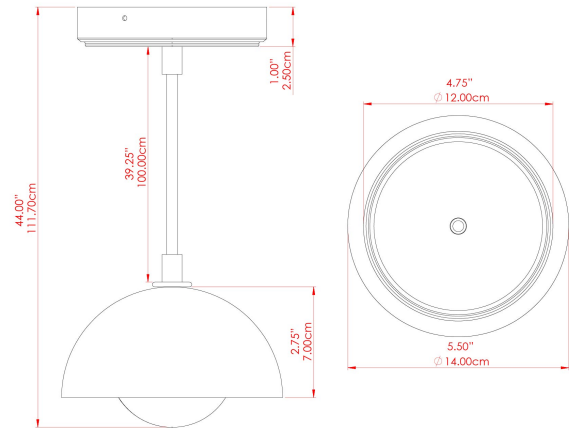
MATERIAL	Ceramic Brass Glass
HEIGHT	15cm
WIDTH DIAMETER	14cm
LENGTH PROJECTION	n/a
WEIGHT	0.65 kg
LAMPHOLDER	G9
MAX WATTAGE	6.5W
VOLTAGE	220/240v
IP RATING	IP20
CLASS PROTECTION	Class I
SHADE	GL208 MLCS072
FLEX BAR CHAIN LENGTH	100cm
CABLE TYPE	MLCA028 Black Fabric Braided Cable 2 Core Round

FIXING BRACKET: MLWB17



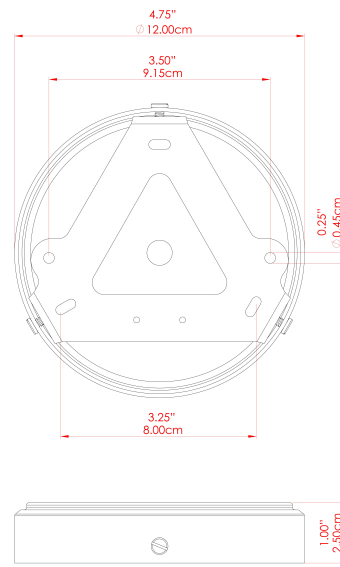
FEROX Ceramic Pendant

MLCMP075POLBRSOP Polished Brass



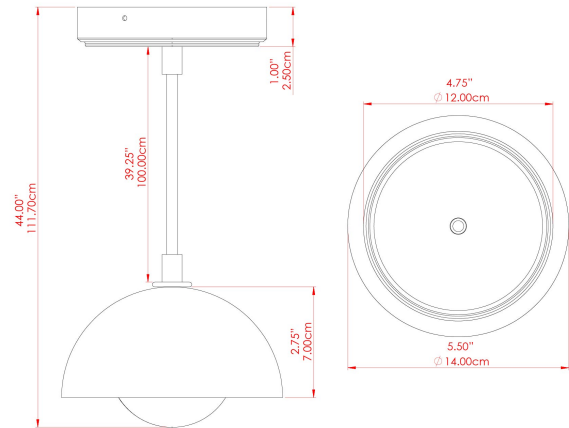
MATERIAL	Ceramic Brass Glass
HEIGHT	15cm
WIDTH DIAMETER	14cm
LENGTH PROJECTION	n/a
WEIGHT	0.65 kg
LAMPHOLDER	G9
MAX WATTAGE	6.5W
VOLTAGE	220/240v
IP RATING	IP20
CLASS PROTECTION	Class I
SHADE	GL192 MLCS072
FLEX BAR CHAIN LENGTH	100cm
CABLE TYPE	MLCA028 Black Fabric Braided Cable 2 Core Round

FIXING BRACKET: MLWB17



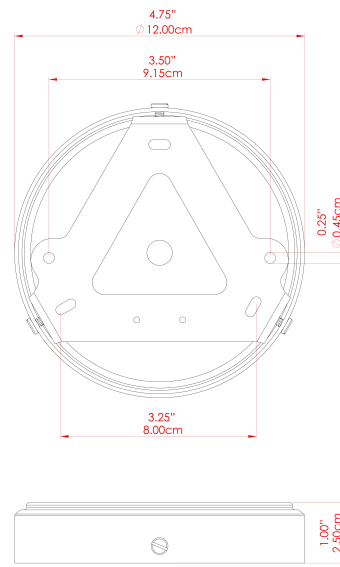
FEROX Ceramic Pendant

MLCMP075SATBRSL Satin Brass



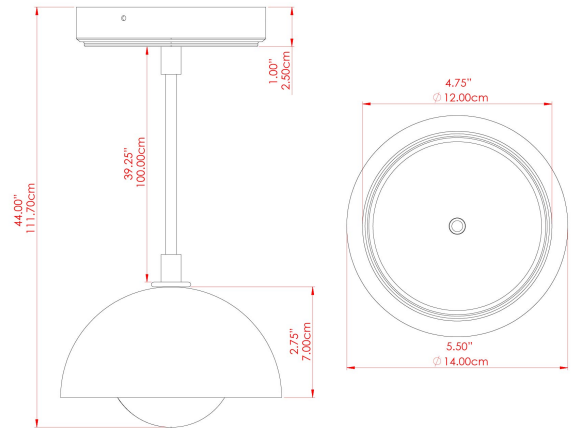
MATERIAL	Ceramic Brass Glass
HEIGHT	15cm
WIDTH DIAMETER	14cm
LENGTH PROJECTION	n/a
WEIGHT	0.65 kg
LAMPHOLDER	G9
MAX WATTAGE	6.5W
VOLTAGE	220/240v
IP RATING	IP20
CLASS PROTECTION	Class I
SHADE	GL196 MLCS072
FLEX BAR CHAIN LENGTH	100cm
CABLE TYPE	MLCA028 Black Fabric Braided Cable 2 Core Round

FIXING BRACKET: MLWB17



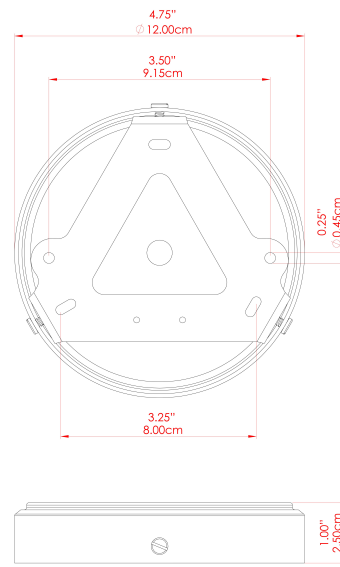
FEROX Ceramic Pendant

MLCMP075SATBRSFR Satin Brass



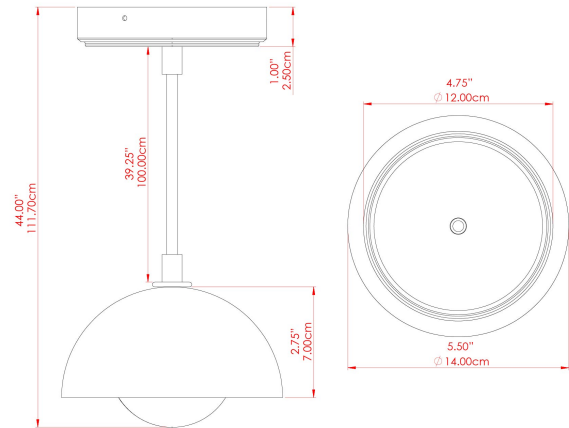
MATERIAL	Ceramic Brass Glass
HEIGHT	15cm
WIDTH DIAMETER	14cm
LENGTH PROJECTION	n/a
WEIGHT	0.65 kg
LAMPHOLDER	G9
MAX WATTAGE	6.5W
VOLTAGE	220/240v
IP RATING	IP20
CLASS PROTECTION	Class I
SHADE	GL208 MLCS072
FLEX BAR CHAIN LENGTH	100cm
CABLE TYPE	MLCA028 Black Fabric Braided Cable 2 Core Round

FIXING BRACKET: MLWB17



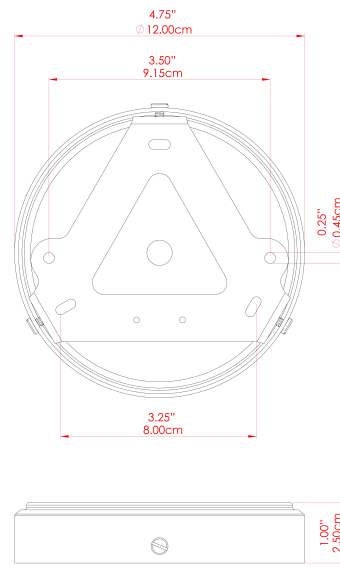
FEROX Ceramic Pendant

MLCMP075SATBRSOP Satin Brass



MATERIAL	Ceramic Brass Glass
HEIGHT	15cm
WIDTH DIAMETER	14cm
LENGTH PROJECTION	n/a
WEIGHT	0.65 kg
LAMPHOLDER	G9
MAX WATTAGE	6.5W
VOLTAGE	220/240v
IP RATING	IP20
CLASS PROTECTION	Class I
SHADE	GL192 MLCS072
FLEX BAR CHAIN LENGTH	100cm
CABLE TYPE	MLCA028 Black Fabric Braided Cable 2 Core Round

FIXING BRACKET: MLWB17



Product Notes:
 1) Bulbs not included. 2) Dimensions do not include bulbs. 3) All products are individually made-to-order and therefore may differ slightly within manufacturing tolerances. 4) Cable / chain can be shortened during installation. Longer cable / chain lengths available on request. 5) Additional colour finishes may be available on request. 6) Refer to our website for a full list of terms and conditions.

