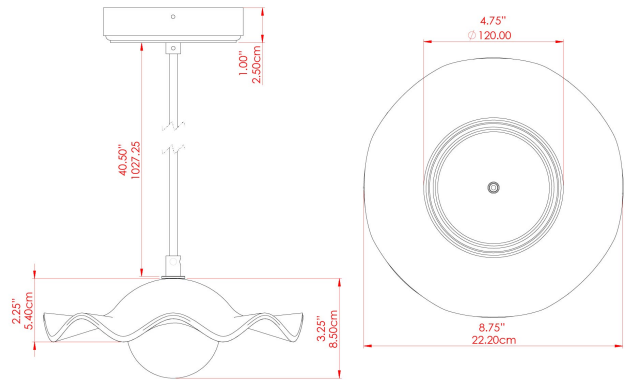


RIVALE Ceramic Pendant

MLCMP060ANTBRACL Antique Brass



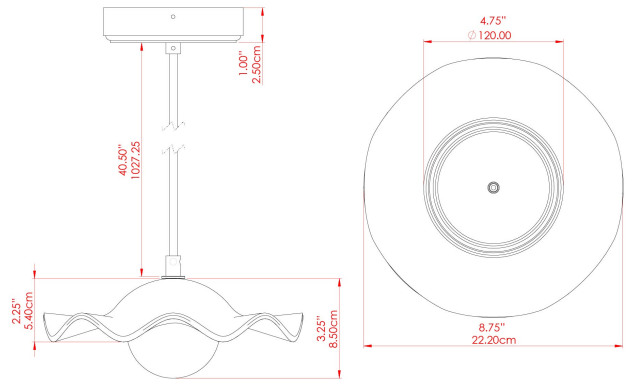
MATERIAL	Ceramic Brass Glass
HEIGHT	8.5cm
WIDTH DIAMETER	21cm
LENGTH PROJECTION	n/a
WEIGHT	0.6 kg
LAMPHOLDER	G9
MAX WATTAGE	6.5W
VOLTAGE	220/240v
IP RATING	IP20
CLASS PROTECTION	Class I
SHADE	GL196 MLCS059
FLEX BAR CHAIN LENGTH	100cm
CABLE TYPE	MLCA047 Brown Fabric Braided Cable 2 Core Round

FIXING BRACKET: MLWB17



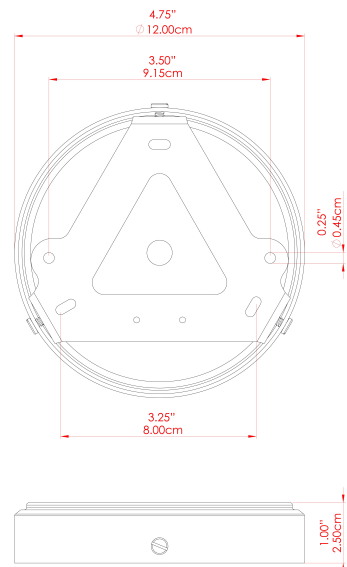
RIVALE Ceramic Pendant

MLCMP060ANTBRSFR Antique Brass



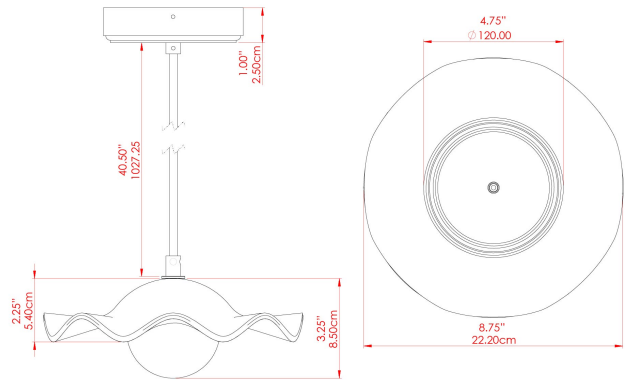
MATERIAL	Ceramic Brass Glass
HEIGHT	8.5cm
WIDTH DIAMETER	21cm
LENGTH PROJECTION	n/a
WEIGHT	0.6 kg
LAMPHOLDER	G9
MAX WATTAGE	6.5W
VOLTAGE	220/240v
IP RATING	IP20
CLASS PROTECTION	Class I
SHADE	GL208 MLCS059
FLEX BAR CHAIN LENGTH	100cm
CABLE TYPE	MLCA047 Brown Fabric Braided Cable 2 Core Round

FIXING BRACKET: MLWB17



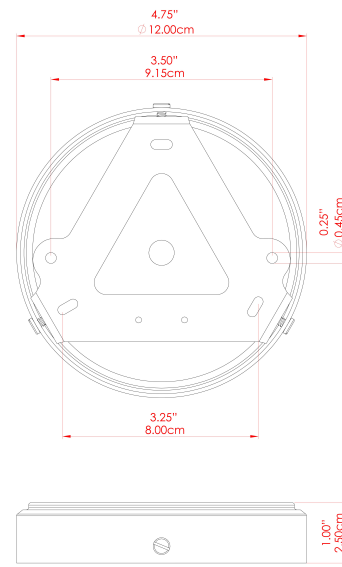
RIVALE Ceramic Pendant

MLCMP060ANTBRSOP Antique Brass



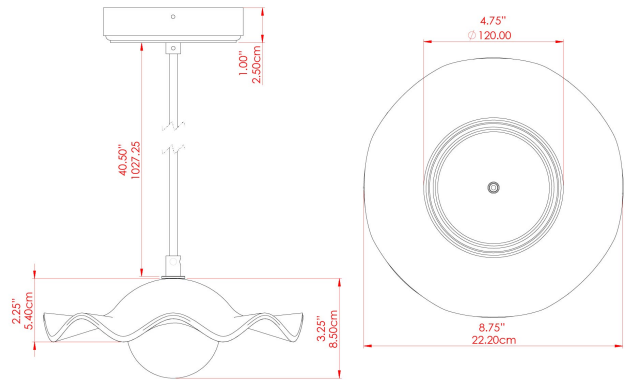
MATERIAL	Ceramic Brass Glass
HEIGHT	8.5cm
WIDTH DIAMETER	21cm
LENGTH PROJECTION	n/a
WEIGHT	0.6 kg
LAMPHOLDER	G9
MAX WATTAGE	6.5W
VOLTAGE	220/240v
IP RATING	IP20
CLASS PROTECTION	Class I
SHADE	GL192 MLCS059
FLEX BAR CHAIN LENGTH	100cm
CABLE TYPE	MLCA047 Brown Fabric Braided Cable 2 Core Round

FIXING BRACKET: MLWB17



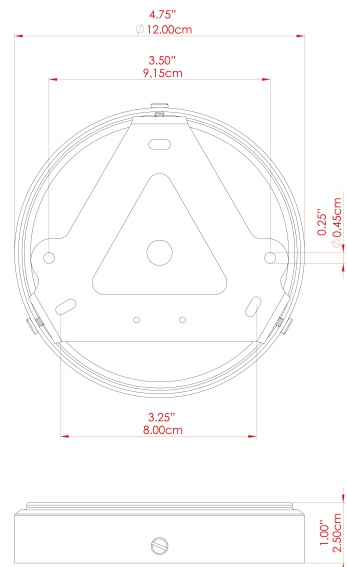
RIVALE Ceramic Pendant

MLCMP060ANTSLVCL Antique Silver



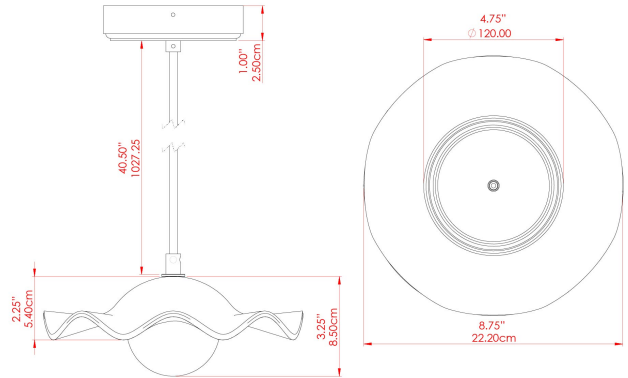
MATERIAL	Ceramic Brass Glass
HEIGHT	8.5cm
WIDTH DIAMETER	21cm
LENGTH PROJECTION	n/a
WEIGHT	0.6 kg
LAMPHOLDER	G9
MAX WATTAGE	6.5W
VOLTAGE	220/240v
IP RATING	IP20
CLASS PROTECTION	Class I
SHADE	GL196 MLCS059
FLEX BAR CHAIN LENGTH	100cm
CABLE TYPE	MLCA028 Black Fabric Braided Cable 2 Core Round

FIXING BRACKET: MLWB17



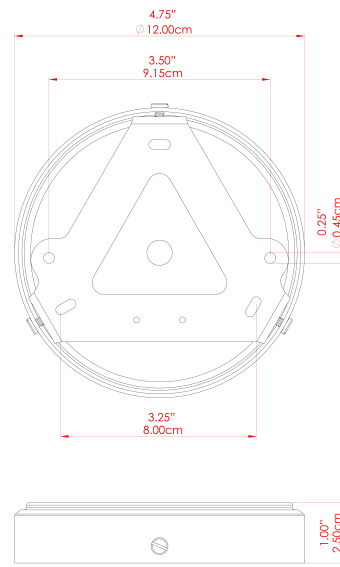
RIVALE Ceramic Pendant

MLCMP060ANTSLVFR Antique Silver



MATERIAL	Ceramic Brass Glass
HEIGHT	8.5cm
WIDTH DIAMETER	21cm
LENGTH PROJECTION	n/a
WEIGHT	0.6 kg
LAMPHOLDER	G9
MAX WATTAGE	6.5W
VOLTAGE	220/240v
IP RATING	IP20
CLASS PROTECTION	Class I
SHADE	GL208 MLCS059
FLEX BAR CHAIN LENGTH	100cm
CABLE TYPE	MLCA028 Black Fabric Braided Cable 2 Core Round

FIXING BRACKET: MLWB17

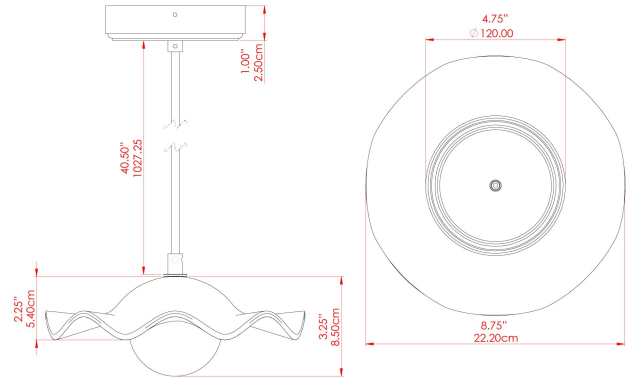


Product Notes:
 1) Bulbs not included. 2) Dimensions do not include bulbs. 3) All products are individually made-to-order and therefore may differ slightly within manufacturing tolerances. 4) Cable / chain can be shortened during installation. Longer cable / chain lengths available on request. 5) Additional colour finishes may be available on request. 6) Refer to our website for a full list of terms and conditions.



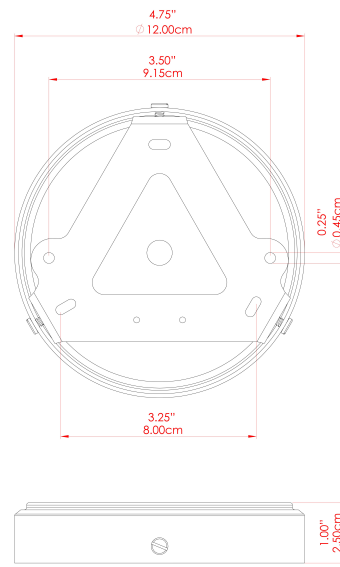
RIVALE Ceramic Pendant

MLCMP060ANTSLVOP Antique Silver



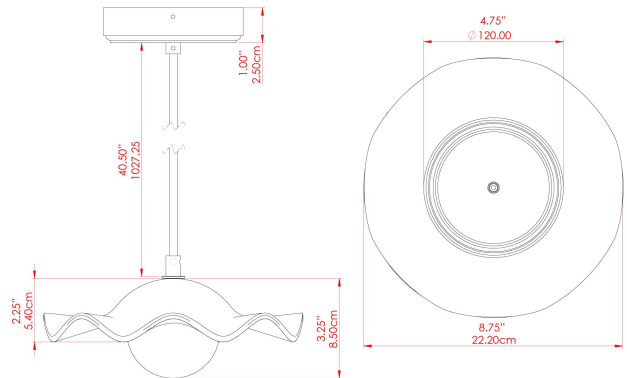
MATERIAL	Ceramic Brass Glass
HEIGHT	8.5cm
WIDTH DIAMETER	21cm
LENGTH PROJECTION	n/a
WEIGHT	0.6 kg
LAMPHOLDER	G9
MAX WATTAGE	6.5W
VOLTAGE	220/240v
IP RATING	IP20
CLASS PROTECTION	Class I
SHADE	GL192 MLCS059
FLEX BAR CHAIN LENGTH	100cm
CABLE TYPE	MLCA028 Black Fabric Braided Cable 2 Core Round

FIXING BRACKET: MLWB17



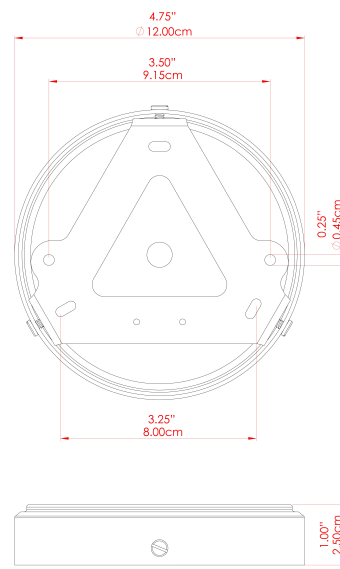
RIVALE Ceramic Pendant

MLCMP060PCMBKCL Matt Black



MATERIAL	Ceramic Brass Glass
HEIGHT	8.5cm
WIDTH DIAMETER	21cm
LENGTH PROJECTION	n/a
WEIGHT	0.6 kg
LAMPHOLDER	G9
MAX WATTAGE	6.5W
VOLTAGE	220/240v
IP RATING	IP20
CLASS PROTECTION	Class I
SHADE	GL192 MLCS059
FLEX BAR CHAIN LENGTH	100cm
CABLE TYPE	MLCS028 Pera Ceramic Shade 130mm Blue Earth

FIXING BRACKET: MLWB17



WWW.MULLANLIGHTING.COM

Product Notes:

1) Bulbs not included. 2) Dimensions do not include bulbs. 3) All products are individually made-to-order and therefore may differ slightly within manufacturing tolerances. 4) Cable / chain can be shortened during installation. Longer cable / chain lengths available on request. 5) Additional colour finishes may be available on request. 6) Refer to our website for a full list of terms and conditions.

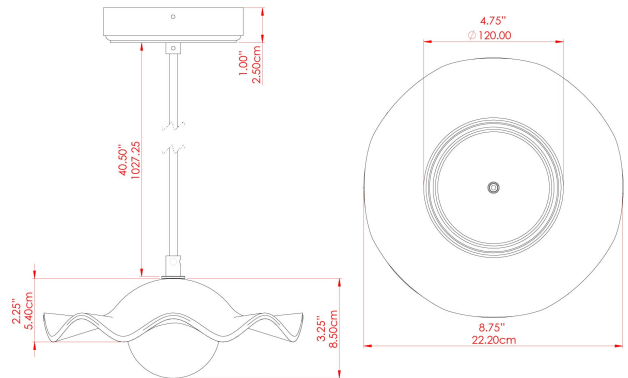


RIVALE Ceramic Pendant

MLCMP060PCMBKFR Matt Black

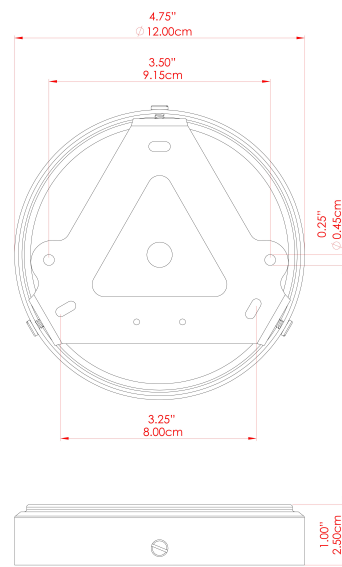


POWDER-COATED
MATTE BLACK



MATERIAL	Ceramic Brass Glass
HEIGHT	8.5cm
WIDTH DIAMETER	21cm
LENGTH PROJECTION	n/a
WEIGHT	0.6 kg
LAMPHOLDER	G9
MAX WATTAGE	6.5W
VOLTAGE	220/240v
IP RATING	IP20
CLASS PROTECTION	Class I
SHADE	GL208 MLCS059
FLEX BAR CHAIN LENGTH	100cm
CABLE TYPE	MLCS028 Pera Ceramic Shade 130mm Blue Earth

FIXING BRACKET: MLWB17



WWW.MULLANLIGHTING.COM

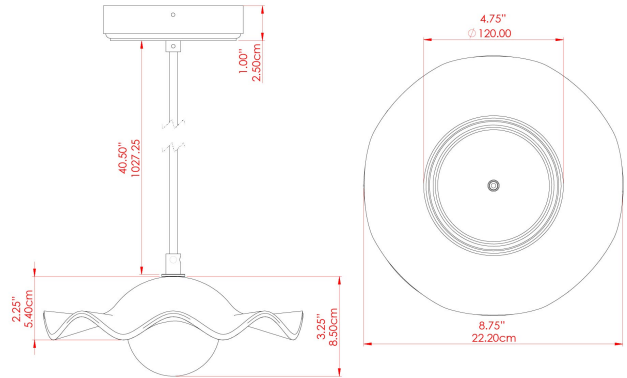
Product Notes:

1) Bulbs not included. 2) Dimensions do not include bulbs. 3) All products are individually made-to-order and therefore may differ slightly within manufacturing tolerances. 4) Cable / chain can be shortened during installation. Longer cable / chain lengths available on request. 5) Additional colour finishes may be available on request. 6) Refer to our website for a full list of terms and conditions.



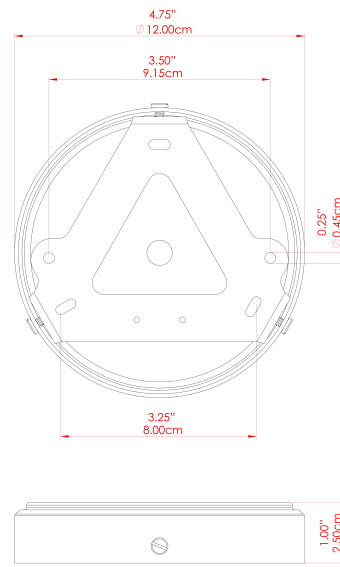
RIVALE Ceramic Pendant

MLCMP060PCMBKOP Matt Black



MATERIAL	Ceramic Brass Glass
HEIGHT	8.5cm
WIDTH DIAMETER	21cm
LENGTH PROJECTION	n/a
WEIGHT	0.6 kg
LAMPHOLDER	G9
MAX WATTAGE	6.5W
VOLTAGE	220/240v
IP RATING	IP20
CLASS PROTECTION	Class I
SHADE	GL192 MLCS059
FLEX BAR CHAIN LENGTH	100cm
CABLE TYPE	MLCS028 Pera Ceramic Shade 130mm Blue Earth

FIXING BRACKET: MLWB17

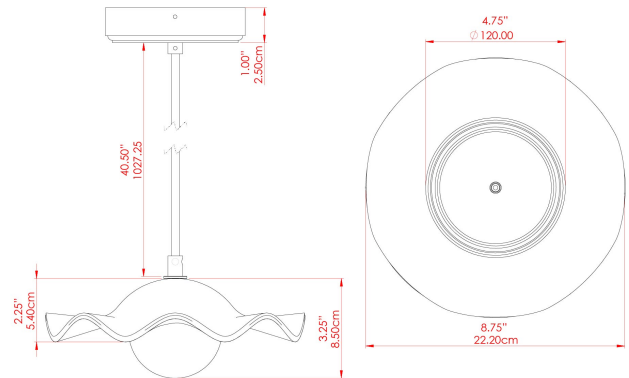


Product Notes:
 1) Bulbs not included. 2) Dimensions do not include bulbs. 3) All products are individually made-to-order and therefore may differ slightly within manufacturing tolerances. 4) Cable / chain can be shortened during installation. Longer cable / chain lengths available on request. 5) Additional colour finishes may be available on request. 6) Refer to our website for a full list of terms and conditions.



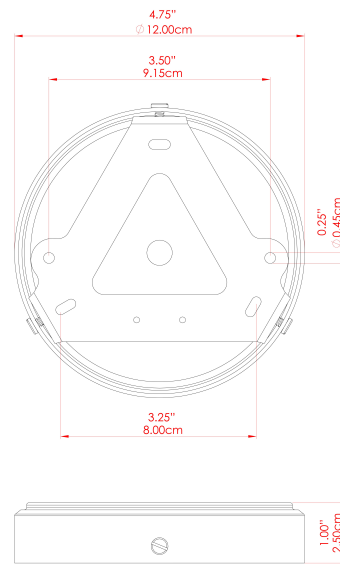
RIVALE Ceramic Pendant

MLCMP060POLBRSCl Polished Brass



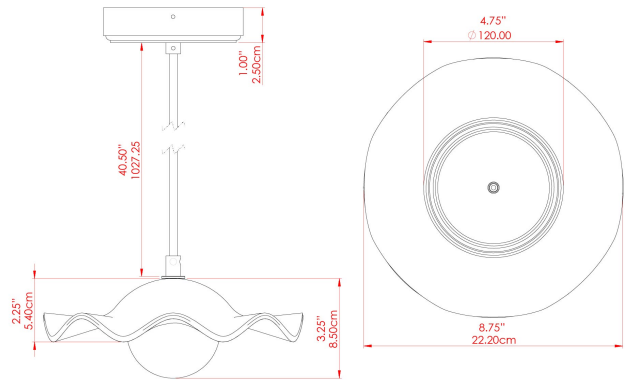
MATERIAL	Ceramic Brass Glass
HEIGHT	8.5cm
WIDTH DIAMETER	21cm
LENGTH PROJECTION	n/a
WEIGHT	0.6 kg
LAMPHOLDER	G9
MAX WATTAGE	6.5W
VOLTAGE	220/240v
IP RATING	IP20
CLASS PROTECTION	Class I
SHADE	GL196 MLCS059
FLEX BAR CHAIN LENGTH	100cm
CABLE TYPE	MLCA028 Black Fabric Braided Cable 2 Core Round

FIXING BRACKET: MLWB17



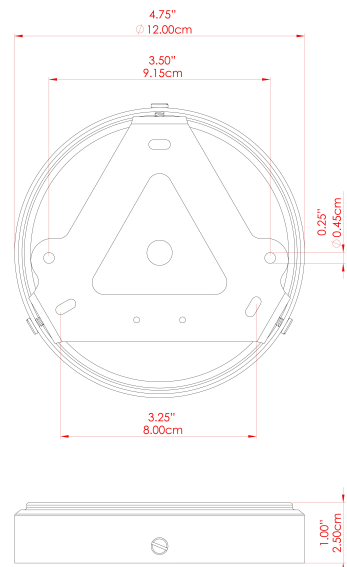
RIVALE Ceramic Pendant

MLCMP060POLBRSFR Polished Brass



MATERIAL	Ceramic Brass Glass
HEIGHT	8.5cm
WIDTH DIAMETER	21cm
LENGTH PROJECTION	n/a
WEIGHT	0.6 kg
LAMPHOLDER	G9
MAX WATTAGE	6.5W
VOLTAGE	220/240v
IP RATING	IP20
CLASS PROTECTION	Class I
SHADE	GL208 MLCS059
FLEX BAR CHAIN LENGTH	100cm
CABLE TYPE	MLCA028 Black Fabric Braided Cable 2 Core Round

FIXING BRACKET: MLWB17

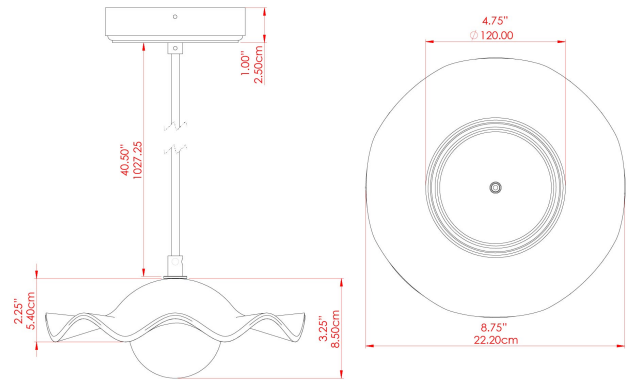


Product Notes:
 1) Bulbs not included. 2) Dimensions do not include bulbs. 3) All products are individually made-to-order and therefore may differ slightly within manufacturing tolerances. 4) Cable / chain can be shortened during installation. Longer cable / chain lengths available on request. 5) Additional colour finishes may be available on request. 6) Refer to our website for a full list of terms and conditions.



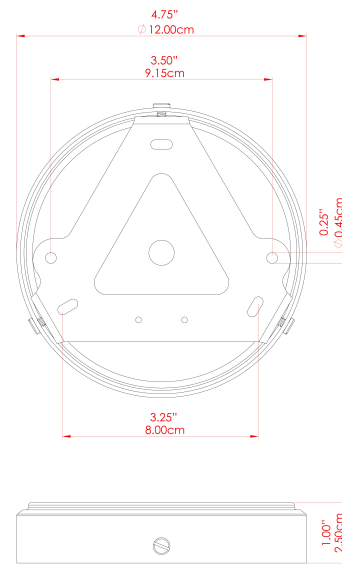
RIVALE Ceramic Pendant

MLCMP060POLBRSOP Polished Brass



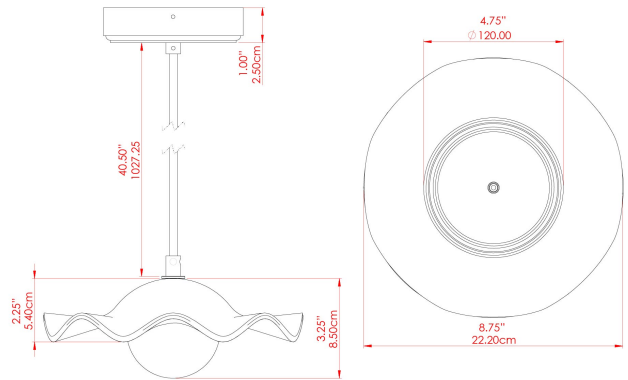
MATERIAL	Ceramic Brass Glass
HEIGHT	8.5cm
WIDTH DIAMETER	21cm
LENGTH PROJECTION	n/a
WEIGHT	0.6 kg
LAMPHOLDER	G9
MAX WATTAGE	6.5W
VOLTAGE	220/240v
IP RATING	IP20
CLASS PROTECTION	Class I
SHADE	GL192 MLCS059
FLEX BAR CHAIN LENGTH	100cm
CABLE TYPE	MLCA028 Black Fabric Braided Cable 2 Core Round

FIXING BRACKET: MLWB17



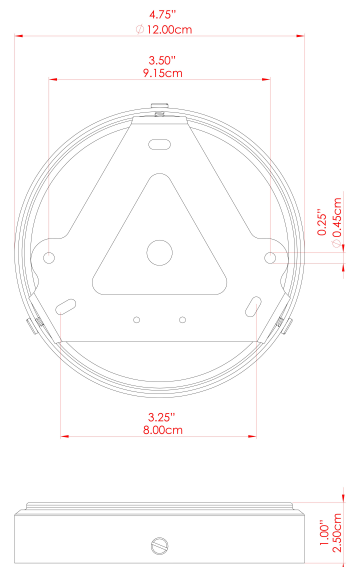
RIVALE Ceramic Pendant

MLCMP060SATBRSL Satin Brass



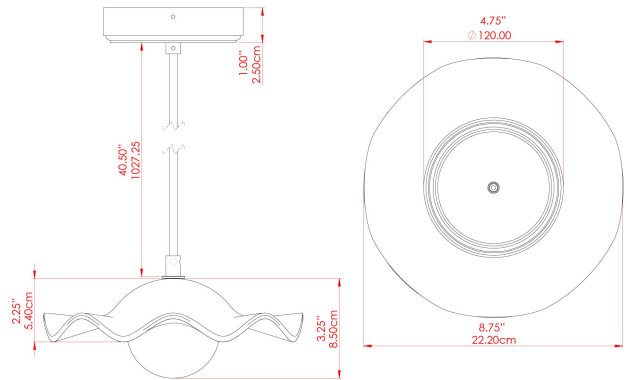
MATERIAL	Ceramic Brass Glass
HEIGHT	8.5cm
WIDTH DIAMETER	21cm
LENGTH PROJECTION	n/a
WEIGHT	0.6 kg
LAMPHOLDER	G9
MAX WATTAGE	6.5W
VOLTAGE	220/240v
IP RATING	IP20
CLASS PROTECTION	Class I
SHADE	GL196 MLCS059
FLEX BAR CHAIN LENGTH	100cm
CABLE TYPE	MLCA028 Black Fabric Braided Cable 2 Core Round

FIXING BRACKET: MLWB17



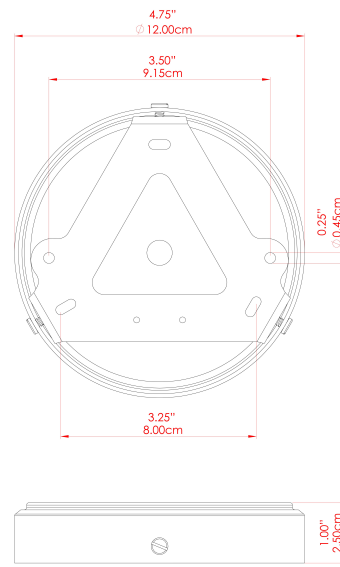
RIVALE Ceramic Pendant

MLCMP060SATBRSFR Satin Brass



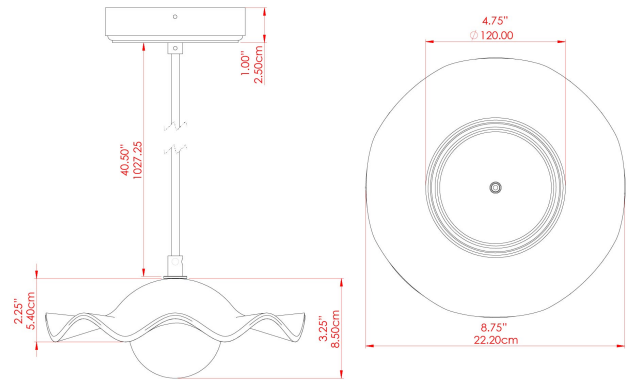
MATERIAL	Ceramic Brass Glass
HEIGHT	8.5cm
WIDTH DIAMETER	21cm
LENGTH PROJECTION	n/a
WEIGHT	0.6 kg
LAMPHOLDER	G9
MAX WATTAGE	6.5W
VOLTAGE	220/240v
IP RATING	IP20
CLASS PROTECTION	Class I
SHADE	GL208 MLCS059
FLEX BAR CHAIN LENGTH	100cm
CABLE TYPE	MLCA028 Black Fabric Braided Cable 2 Core Round

FIXING BRACKET: MLWB17



RIVALE Ceramic Pendant

MLCMP060SATBRSOP Satin Brass



MATERIAL	Ceramic Brass Glass
HEIGHT	8.5cm
WIDTH DIAMETER	21cm
LENGTH PROJECTION	n/a
WEIGHT	0.6 kg
LAMPHOLDER	G9
MAX WATTAGE	6.5W
VOLTAGE	220/240v
IP RATING	IP20
CLASS PROTECTION	Class I
SHADE	GL192 MLCS059
FLEX BAR CHAIN LENGTH	100cm
CABLE TYPE	MLCA028 Black Fabric Braided Cable 2 Core Round

FIXING BRACKET: MLWB17

