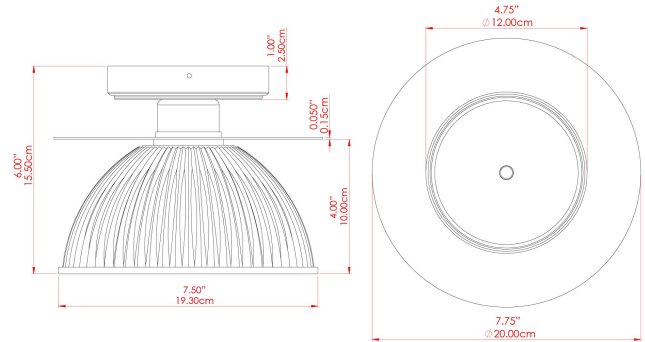


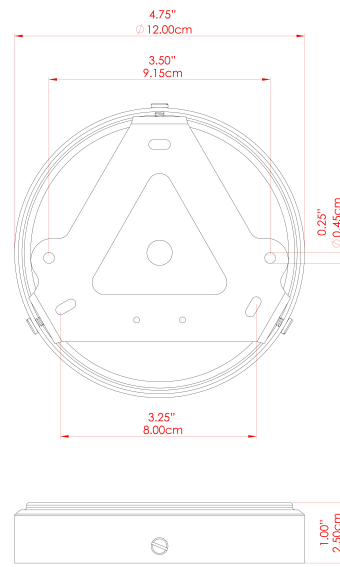
ECLIPSE Ceiling Light

MLCF129ANTBRS Antique Brass



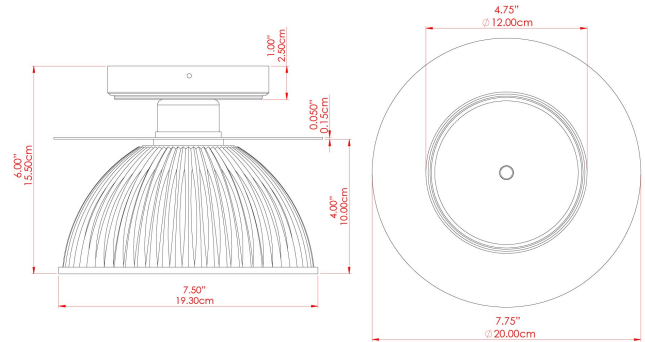
| | |
|---------------------------|---------------|
| MATERIAL | Brass Glass |
| HEIGHT | 20cm |
| WIDTH DIAMETER | 20cm |
| LENGTH PROJECTION | 15.5cm |
| WEIGHT | 1.4 kg |
| LAMPHOLDER | E27 |
| MAX WATTAGE | 40W |
| VOLTAGE | 220/240v |
| IP RATING | IP20 |
| CLASS PROTECTION | Class I |
| SHADE | GL096 |
| FLEX BAR CHAIN LENGTH | n/a |
| CABLE TYPE | - |

FIXING BRACKET: MLWB17



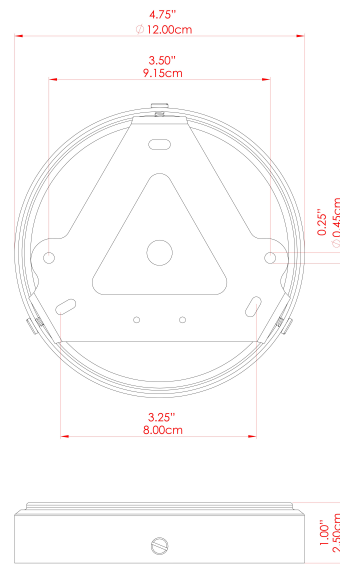
ECLIPSE Ceiling Light

MLCF129ANTSLV Antique Silver



| | |
|---------------------------|---------------|
| MATERIAL | Brass Glass |
| HEIGHT | 20cm |
| WIDTH DIAMETER | 20cm |
| LENGTH PROJECTION | 15.5cm |
| WEIGHT | 1.4 kg |
| LAMPHOLDER | E27 |
| MAX WATTAGE | 40W |
| VOLTAGE | 220/240v |
| IP RATING | IP20 |
| CLASS PROTECTION | Class I |
| SHADE | GL096 |
| FLEX BAR CHAIN LENGTH | n/a |
| CABLE TYPE | - |

FIXING BRACKET: MLWB17



WWW.MULLANLIGHTING.COM

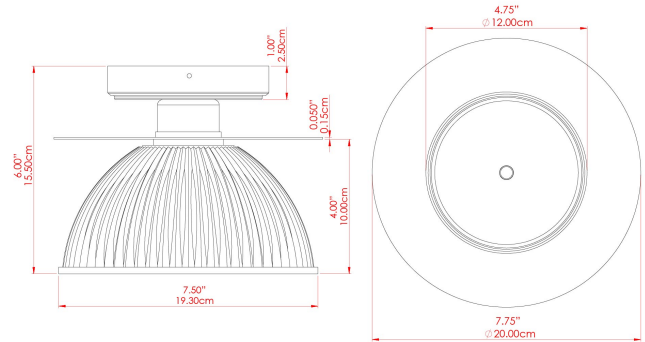
Product Notes:

1) Bulbs not included. 2) Dimensions do not include bulbs. 3) All products are individually made-to-order and therefore may differ slightly within manufacturing tolerances. 4) Cable / chain can be shortened during installation. Longer cable / chain lengths available on request. 5) Additional colour finishes may be available on request. 6) Refer to our website for a full list of terms and conditions.



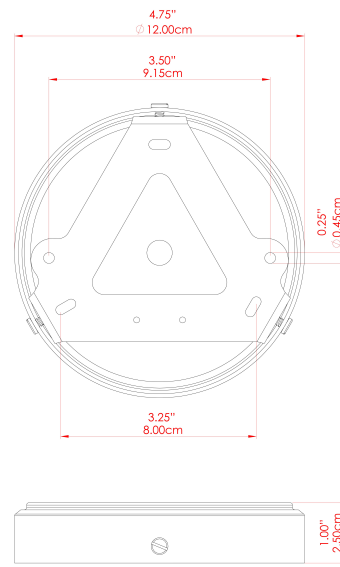
ECLIPSE Ceiling Light

MLCF129PCMBK Matt Black



| | |
|---------------------------|---------------|
| MATERIAL | Brass Glass |
| HEIGHT | 20cm |
| WIDTH DIAMETER | 20cm |
| LENGTH PROJECTION | 15.5cm |
| WEIGHT | 1.4 kg |
| LAMPHOLDER | E27 |
| MAX WATTAGE | 40W |
| VOLTAGE | 220/240v |
| IP RATING | IP20 |
| CLASS PROTECTION | Class I |
| SHADE | GL096 |
| FLEX BAR CHAIN LENGTH | n/a |
| CABLE TYPE | - |

FIXING BRACKET: MLWB17

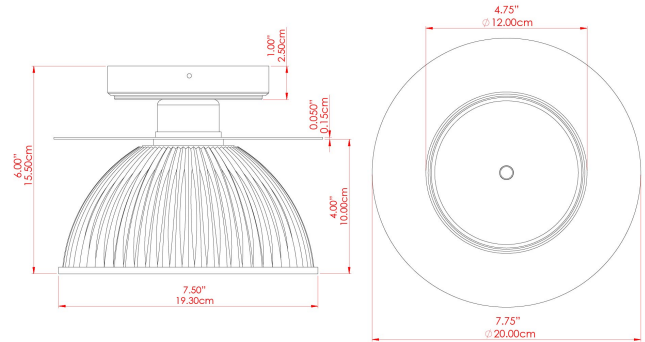


Product Notes:
 1) Bulbs not included. 2) Dimensions do not include bulbs. 3) All products are individually made-to-order and therefore may differ slightly within manufacturing tolerances. 4) Cable / chain can be shortened during installation. Longer cable / chain lengths available on request. 5) Additional colour finishes may be available on request. 6) Refer to our website for a full list of terms and conditions.



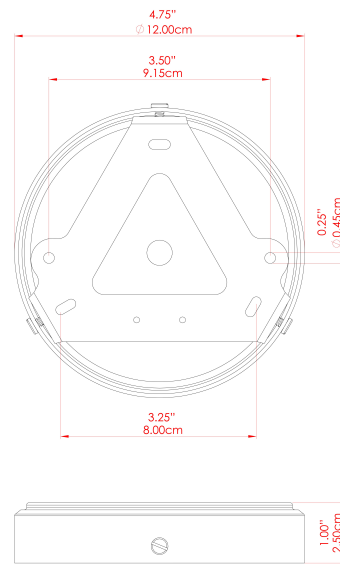
ECLIPSE Ceiling Light

MLCF129POLBRS Polished Brass



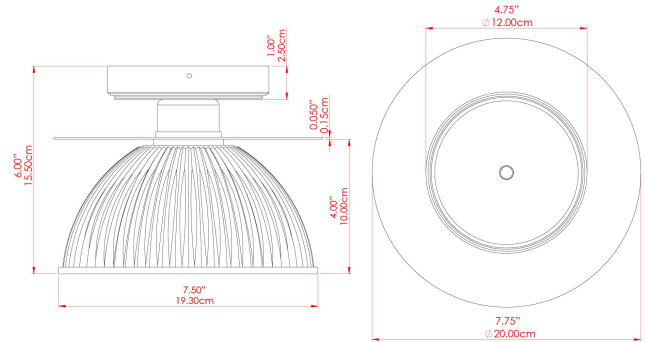
| | |
|---------------------------|---------------|
| MATERIAL | Brass Glass |
| HEIGHT | 20cm |
| WIDTH DIAMETER | 20cm |
| LENGTH PROJECTION | 15.5cm |
| WEIGHT | 1.4 kg |
| LAMPHOLDER | E27 |
| MAX WATTAGE | 40W |
| VOLTAGE | 220/240v |
| IP RATING | IP20 |
| CLASS PROTECTION | Class I |
| SHADE | GL096 |
| FLEX BAR CHAIN LENGTH | n/a |
| CABLE TYPE | - |

FIXING BRACKET: MLWB17



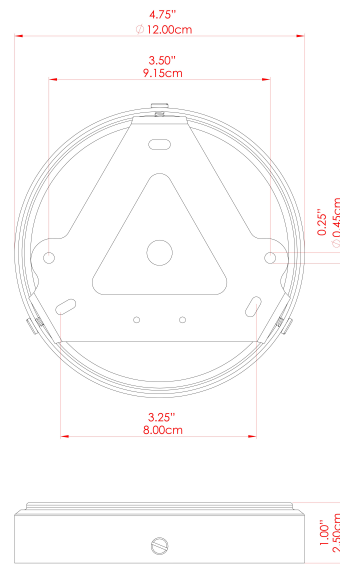
ECLIPSE Ceiling Light

MLCF129SATBRS Satin Brass



| | |
|---------------------------|---------------|
| MATERIAL | Brass Glass |
| HEIGHT | 20cm |
| WIDTH DIAMETER | 20cm |
| LENGTH PROJECTION | 15.5cm |
| WEIGHT | 1.4 kg |
| LAMPHOLDER | E27 |
| MAX WATTAGE | 40W |
| VOLTAGE | 220/240v |
| IP RATING | IP20 |
| CLASS PROTECTION | Class I |
| SHADE | GL096 |
| FLEX BAR CHAIN LENGTH | n/a |
| CABLE TYPE | - |

FIXING BRACKET: MLWB17



Product Notes:
 1) Bulbs not included. 2) Dimensions do not include bulbs. 3) All products are individually made-to-order and therefore may differ slightly within manufacturing tolerances. 4) Cable / chain can be shortened during installation. Longer cable / chain lengths available on request. 5) Additional colour finishes may be available on request. 6) Refer to our website for a full list of terms and conditions.

