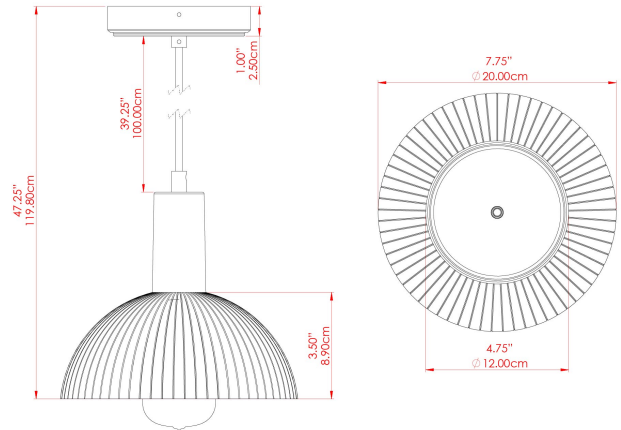


KAURI Ceramic Pendant

MLCMP027ANTBRS Antique Brass



MATERIAL	Brass
HEIGHT	20cm
WIDTH DIAMETER	20cm
LENGTH PROJECTION	n/a
WEIGHT	1.1 kg
LAMPHOLDER	E27
MAX WATTAGE	40W
VOLTAGE	220/240v
IP RATING	IP20
CLASS PROTECTION	Class I
SHADE	MLCS057
FLEX BAR CHAIN LENGTH	100cm
CABLE TYPE	MLCA047 Brown Fabric Braided Cable 2 Core Round

FIXING BRACKET: MLWB17

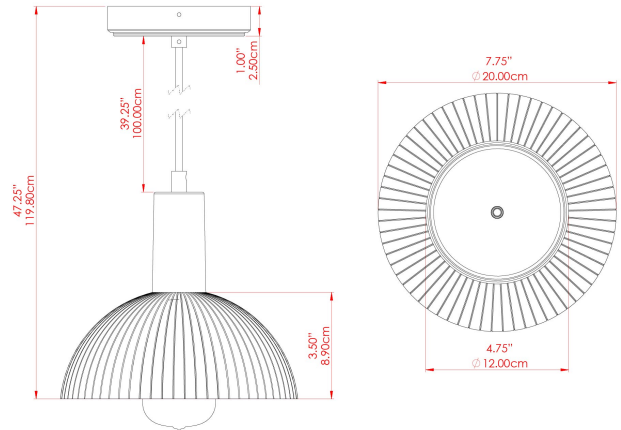


Product Notes:
 1) Bulbs not included. 2) Dimensions do not include bulbs. 3) All products are individually made-to-order and therefore may differ slightly within manufacturing tolerances. 4) Cable / chain can be shortened during installation. Longer cable / chain lengths available on request. 5) Additional colour finishes may be available on request. 6) Refer to our website for a full list of terms and conditions.



KAURI Ceramic Pendant

MLCMP027ANTSLV Antique Silver



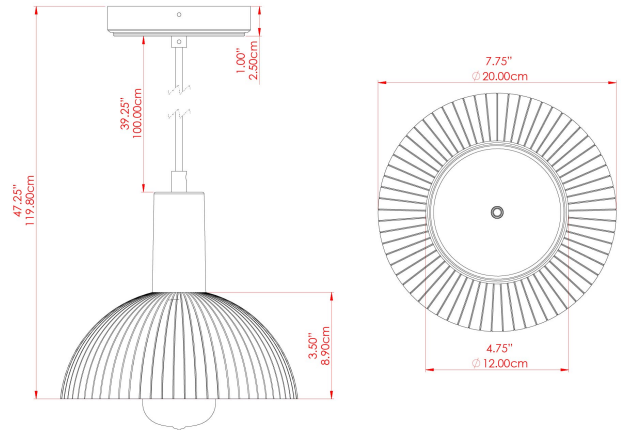
MATERIAL	Brass
HEIGHT	20cm
WIDTH DIAMETER	20cm
LENGTH PROJECTION	n/a
WEIGHT	1.1 kg
LAMPHOLDER	E27
MAX WATTAGE	40W
VOLTAGE	220/240v
IP RATING	IP20
CLASS PROTECTION	Class I
SHADE	MLCS057
FLEX BAR CHAIN LENGTH	100cm
CABLE TYPE	MLCA028 Black Fabric Braided Cable 2 Core Round

FIXING BRACKET: MLWB17



KAURI Ceramic Pendant

MLCMP027PCMBK Matt Black



MATERIAL	Brass
HEIGHT	20cm
WIDTH DIAMETER	20cm
LENGTH PROJECTION	n/a
WEIGHT	1.1 kg
LAMPHOLDER	E27
MAX WATTAGE	40W
VOLTAGE	220/240v
IP RATING	IP20
CLASS PROTECTION	Class I
SHADE	MLCS057
FLEX BAR CHAIN LENGTH	100cm
CABLE TYPE	MLCA028 Black Fabric Braided Cable 2 Core Round

FIXING BRACKET: MLWB17

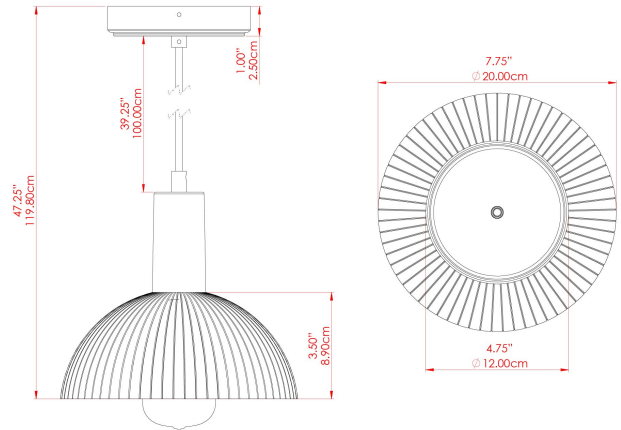


Product Notes:
 1) Bulbs not included. 2) Dimensions do not include bulbs. 3) All products are individually made-to-order and therefore may differ slightly within manufacturing tolerances. 4) Cable / chain can be shortened during installation. Longer cable / chain lengths available on request. 5) Additional colour finishes may be available on request. 6) Refer to our website for a full list of terms and conditions.



KAURI Ceramic Pendant

MLCMP027POLBRS Polished Brass



MATERIAL	Brass
HEIGHT	20cm
WIDTH DIAMETER	20cm
LENGTH PROJECTION	n/a
WEIGHT	1.1 kg
LAMPHOLDER	E27
MAX WATTAGE	40W
VOLTAGE	220/240v
IP RATING	IP20
CLASS PROTECTION	Class I
SHADE	MLCS057
FLEX BAR CHAIN LENGTH	100cm
CABLE TYPE	MLCA028 Black Fabric Braided Cable 2 Core Round

FIXING BRACKET: MLWB17



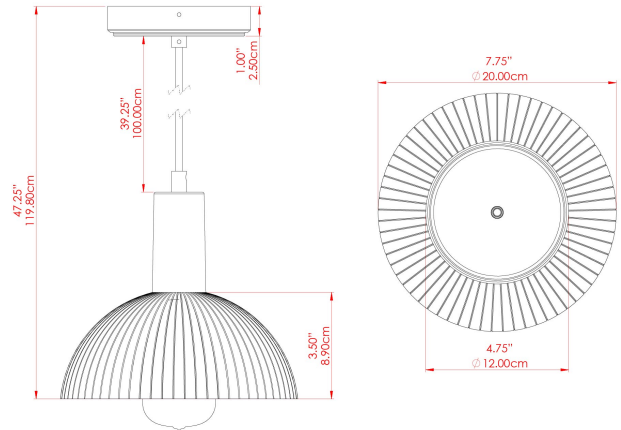
WWW.MULLANLIGHTING.COM

Product Notes:
 1) Bulbs not included. 2) Dimensions do not include bulbs. 3) All products are individually made-to-order and therefore may differ slightly within manufacturing tolerances. 4) Cable / chain can be shortened during installation. Longer cable / chain lengths available on request. 5) Additional colour finishes may be available on request. 6) Refer to our website for a full list of terms and conditions.



KAURI Ceramic Pendant

MLCMP027SATBRS Satin Brass



MATERIAL	Brass
HEIGHT	20cm
WIDTH DIAMETER	20cm
LENGTH PROJECTION	n/a
WEIGHT	1.1 kg
LAMPHOLDER	E27
MAX WATTAGE	40W
VOLTAGE	220/240v
IP RATING	IP20
CLASS PROTECTION	Class I
SHADE	MLCS057
FLEX BAR CHAIN LENGTH	100cm
CABLE TYPE	MLCA028 Black Fabric Braided Cable 2 Core Round

FIXING BRACKET: MLWB17



Product Notes:
 1) Bulbs not included. 2) Dimensions do not include bulbs. 3) All products are individually made-to-order and therefore may differ slightly within manufacturing tolerances. 4) Cable / chain can be shortened during installation. Longer cable / chain lengths available on request. 5) Additional colour finishes may be available on request. 6) Refer to our website for a full list of terms and conditions.

