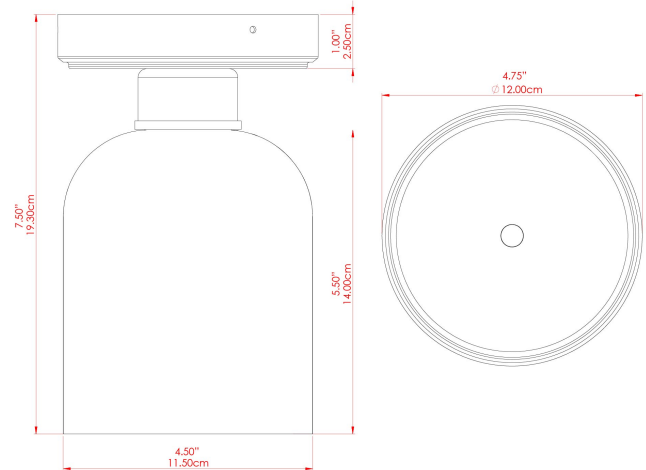


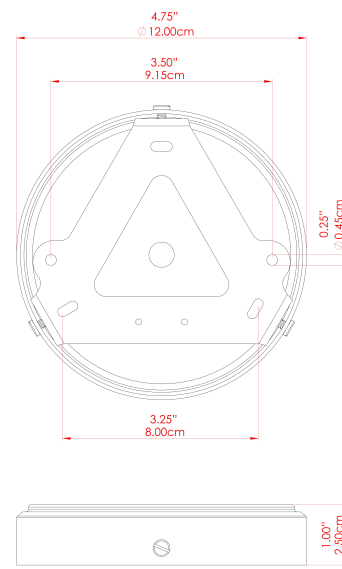
# OSIER Ceramic Ceiling Fitting

# MLCMCF013ANTBRS Antique Brass



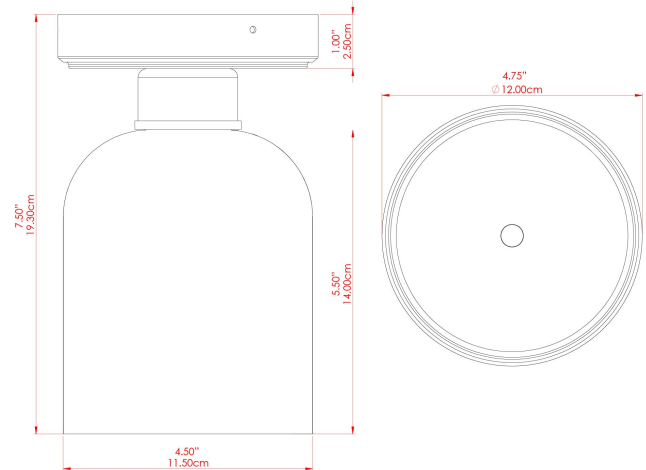
MATERIAL	Brass   Ceramic
HEIGHT	19.5cm
WIDTH   DIAMETER	12cm
LENGTH   PROJECTION	n/a
WEIGHT	1.1 kg
LAMPHOLDER	E27
MAX WATTAGE	40W
VOLTAGE	220/240v
IP RATING	IP20
CLASS PROTECTION	Class I
SHADE	MLCS076
FLEX   BAR   CHAIN LENGTH	n/a
CABLE TYPE	-

## FIXING BRACKET: MLWB17



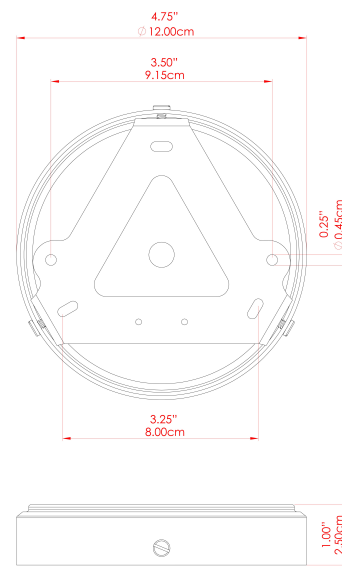
# OSIER Ceramic Ceiling Fitting

# MLCMCF013ANTSLV Antique Silver



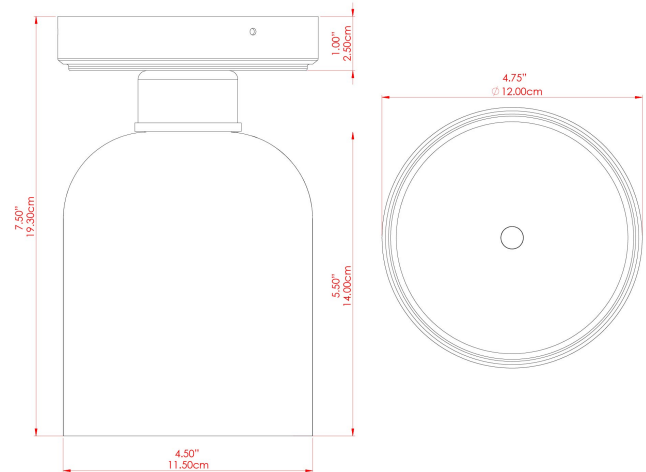
MATERIAL	Brass   Ceramic
HEIGHT	19.5cm
WIDTH   DIAMETER	12cm
LENGTH   PROJECTION	n/a
WEIGHT	1.1 kg
LAMPHOLDER	E27
MAX WATTAGE	40W
VOLTAGE	220/240v
IP RATING	IP20
CLASS PROTECTION	Class I
SHADE	MLCS076
FLEX   BAR   CHAIN LENGTH	n/a
CABLE TYPE	-

### FIXING BRACKET: MLWB17



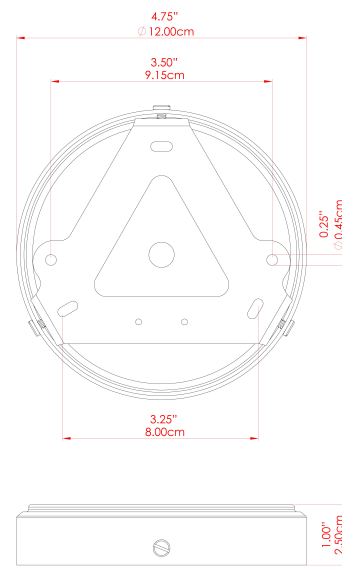
# OSIER Ceramic Ceiling Fitting

MLCMCF013PCMBK Matt Black



MATERIAL	Brass   Ceramic
HEIGHT	19.5cm
WIDTH   DIAMETER	12cm
LENGTH   PROJECTION	n/a
WEIGHT	1.1 kg
LAMPHOLDER	E27
MAX WATTAGE	40W
VOLTAGE	220/240v
IP RATING	IP20
CLASS PROTECTION	Class I
SHADE	MLCS076
FLEX   BAR   CHAIN LENGTH	n/a
CABLE TYPE	-

## FIXING BRACKET: MLWB17

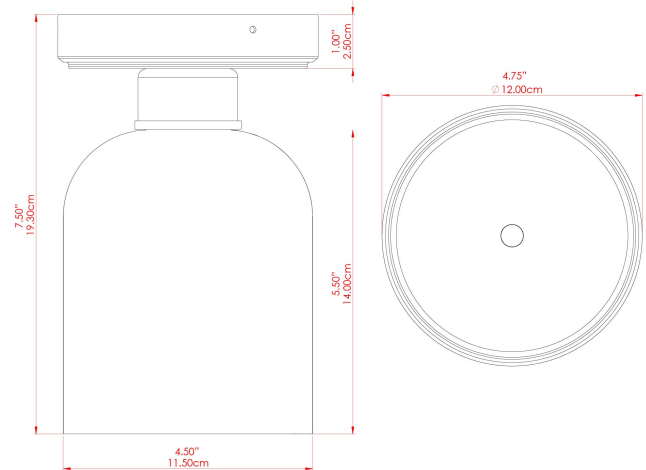


Product Notes:  
 1) Bulbs not included. 2) Dimensions do not include bulbs. 3) All products are individually made-to-order and therefore may differ slightly within manufacturing tolerances. 4) Cable / chain can be shortened during installation. Longer cable / chain lengths available on request. 5) Additional colour finishes may be available on request. 6) Refer to our website for a full list of terms and conditions.



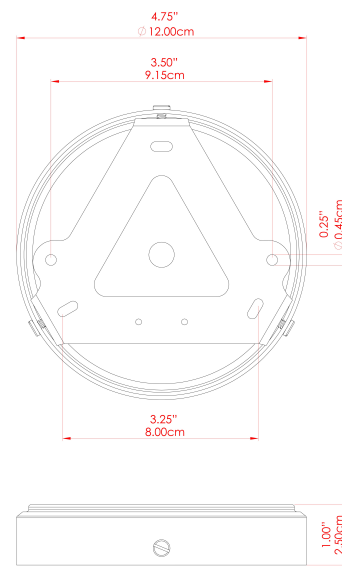
# OSIER Ceramic Ceiling Fitting

# MLCMCF013POLBRS Polished Brass



MATERIAL	Brass   Ceramic
HEIGHT	19.5cm
WIDTH   DIAMETER	12cm
LENGTH   PROJECTION	n/a
WEIGHT	1.1 kg
LAMPHOLDER	E27
MAX WATTAGE	40W
VOLTAGE	220/240v
IP RATING	IP20
CLASS PROTECTION	Class I
SHADE	MLCS076
FLEX   BAR   CHAIN LENGTH	n/a
CABLE TYPE	-

### FIXING BRACKET: MLWB17

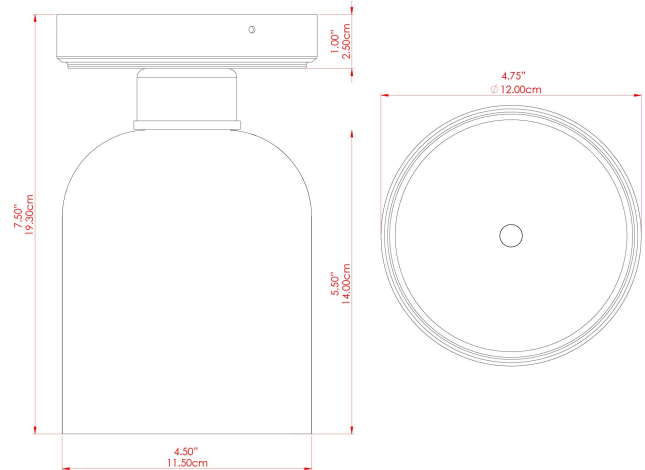


Product Notes:  
 1) Bulbs not included. 2) Dimensions do not include bulbs. 3) All products are individually made-to-order and therefore may differ slightly within manufacturing tolerances. 4) Cable / chain can be shortened during installation. Longer cable / chain lengths available on request. 5) Additional colour finishes may be available on request. 6) Refer to our website for a full list of terms and conditions.



# OSIER Ceramic Ceiling Fitting

# MLCMCF013POLCOP Polished Copper



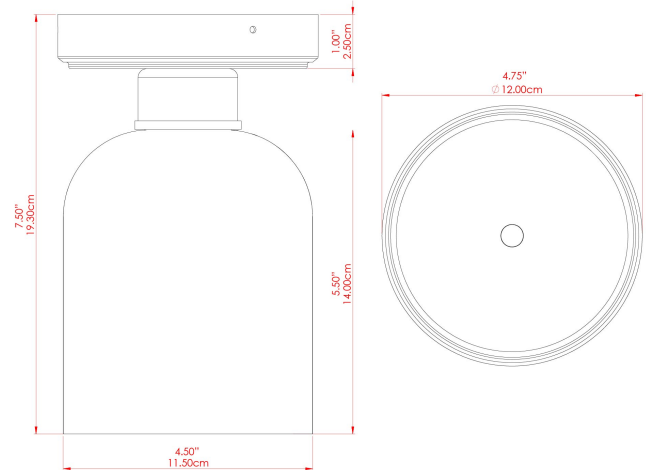
MATERIAL	Brass   Ceramic
HEIGHT	19.5cm
WIDTH   DIAMETER	12cm
LENGTH   PROJECTION	n/a
WEIGHT	1.1 kg
LAMPHOLDER	E27
MAX WATTAGE	40W
VOLTAGE	220/240v
IP RATING	IP20
CLASS PROTECTION	Class I
SHADE	MLCS076
FLEX   BAR   CHAIN LENGTH	n/a
CABLE TYPE	-

### FIXING BRACKET: MLWB17



# OSIER Ceramic Ceiling Fitting

## MLCMCF013SATBRS Satin Brass



MATERIAL	Brass   Ceramic
HEIGHT	19.5cm
WIDTH   DIAMETER	12cm
LENGTH   PROJECTION	n/a
WEIGHT	1.1 kg
LAMPHOLDER	E27
MAX WATTAGE	40W
VOLTAGE	220/240v
IP RATING	IP20
CLASS PROTECTION	Class I
SHADE	MLCS076
FLEX   BAR   CHAIN LENGTH	n/a
CABLE TYPE	-

### FIXING BRACKET: MLWB17

