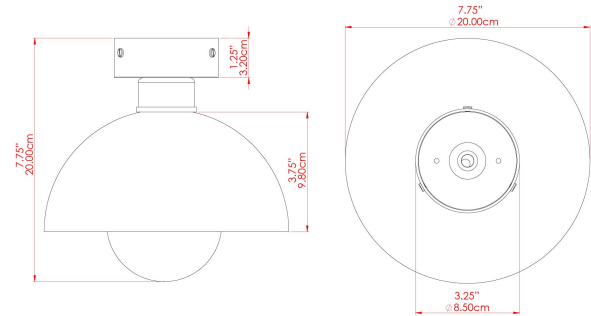


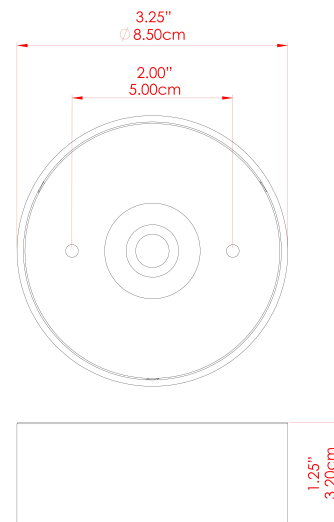
# MAUA 20CM Ceiling Light

# MLCF123ANTBRS Antique Brass



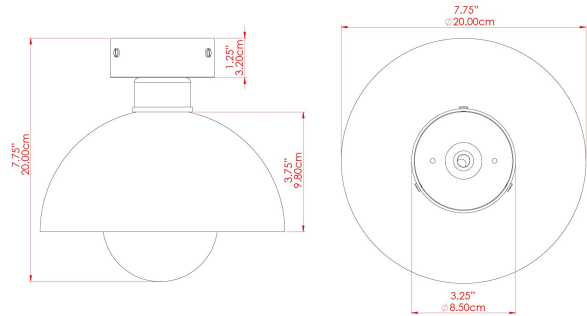
MATERIAL	Brass
HEIGHT	20cm
WIDTH   DIAMETER	20cm
LENGTH   PROJECTION	14cm
WEIGHT	0.94 kg
LAMPHOLDER	E27
MAX WATTAGE	40W
VOLTAGE	220/240v
IP RATING	IP20
CLASS PROTECTION	Class I
SHADE	-
FLEX   BAR   CHAIN LENGTH	n/a
CABLE TYPE	-

### FIXING BRACKET: MLWB13 | Antique Brass



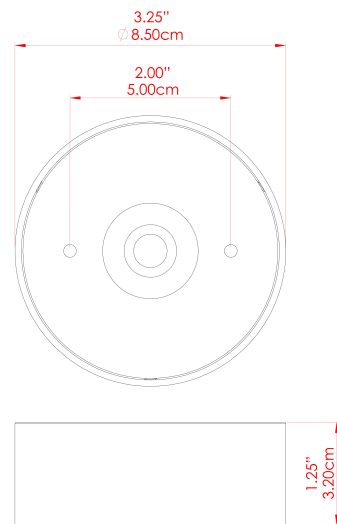
# MAUA 20CM Ceiling Light

# MLCF123ANTSLV Antique Silver



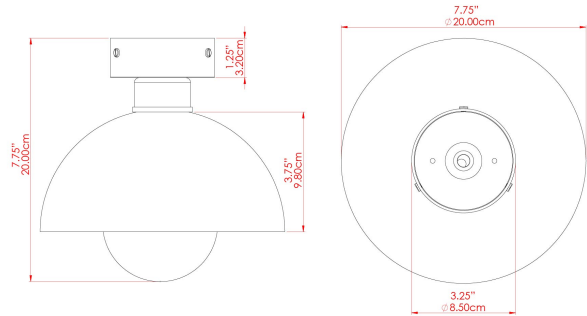
MATERIAL	Brass
HEIGHT	20cm
WIDTH   DIAMETER	20cm
LENGTH   PROJECTION	14cm
WEIGHT	0.94 kg
LAMPHOLDER	E27
MAX WATTAGE	40W
VOLTAGE	220/240v
IP RATING	IP20
CLASS PROTECTION	Class I
SHADE	-
FLEX   BAR   CHAIN LENGTH	n/a
CABLE TYPE	-

## FIXING BRACKET: MLWB13 | Antique Silver



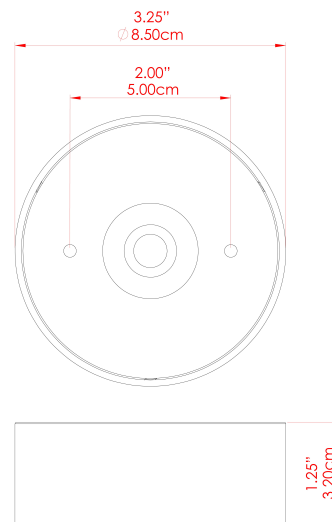
# MAUA 20CM Ceiling Light

MLCF123POLBRS Polished Brass



MATERIAL	Brass
HEIGHT	20cm
WIDTH   DIAMETER	20cm
LENGTH   PROJECTION	14cm
WEIGHT	0.94 kg
LAMPHOLDER	E27
MAX WATTAGE	40W
VOLTAGE	220/240v
IP RATING	IP20
CLASS PROTECTION	Class I
SHADE	-
FLEX   BAR   CHAIN LENGTH	n/a
CABLE TYPE	-

## FIXING BRACKET: MLWB13 | Polished Brass



WWW.MULLANLIGHTING.COM

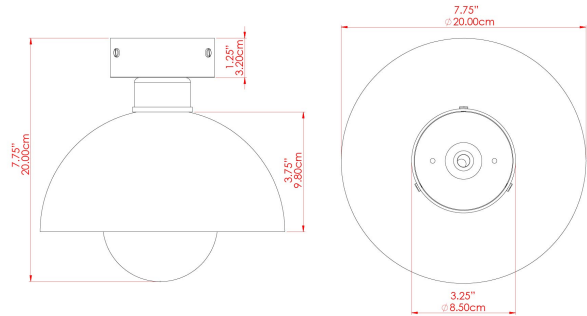
### Product Notes:

1) Bulbs not included. 2) Dimensions do not include bulbs. 3) All products are individually made-to-order and therefore may differ slightly within manufacturing tolerances. 4) Cable / chain can be shortened during installation. Longer cable / chain lengths available on request. 5) Additional colour finishes may be available on request. 6) Refer to our website for a full list of terms and conditions.



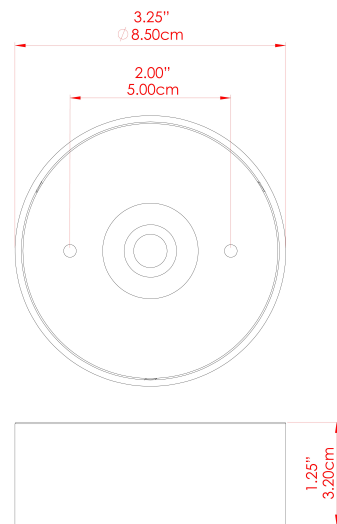
# MAUA 20CM Ceiling Light

## MLCF123SATBRS Satin Brass



MATERIAL	Brass
HEIGHT	20cm
WIDTH   DIAMETER	20cm
LENGTH   PROJECTION	14cm
WEIGHT	0.94 kg
LAMPHOLDER	E27
MAX WATTAGE	40W
VOLTAGE	220/240v
IP RATING	IP20
CLASS PROTECTION	Class I
SHADE	-
FLEX   BAR   CHAIN LENGTH	n/a
CABLE TYPE	-

### FIXING BRACKET: MLWB13 | Satin Brass



WWW.MULLANLIGHTING.COM

**Product Notes:**

1) Bulbs not included. 2) Dimensions do not include bulbs. 3) All products are individually made-to-order and therefore may differ slightly within manufacturing tolerances. 4) Cable / chain can be shortened during installation. Longer cable / chain lengths available on request. 5) Additional colour finishes may be available on request. 6) Refer to our website for a full list of terms and conditions.

