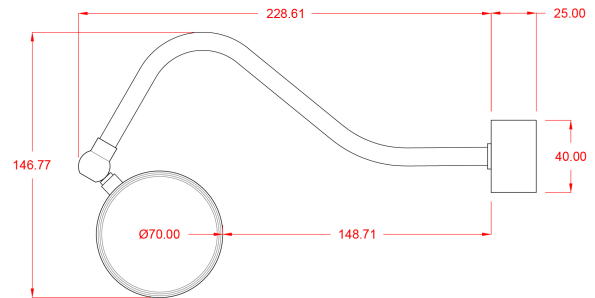


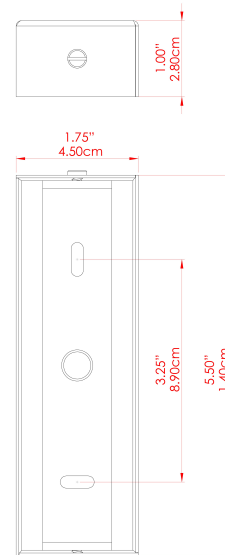
DUBLIN Picture Light

MPL020ANTBRS Antique Brass



| | |
|---------------------------|----------|
| MATERIAL | Brass |
| HEIGHT | 13cm |
| WIDTH DIAMETER | 50.5cm |
| LENGTH PROJECTION | 20cm |
| WEIGHT | 0.66 kg |
| LAMPHOLDER | G9 |
| MAX WATTAGE | 6.5W |
| VOLTAGE | 220/240v |
| IP RATING | IP20 |
| CLASS PROTECTION | Class I |
| SHADE | - |
| FLEX BAR CHAIN LENGTH | n/a |
| CABLE TYPE | - |

FIXING BRACKET: MLWB06 | Antique Brass



WWW.MULLANLIGHTING.COM

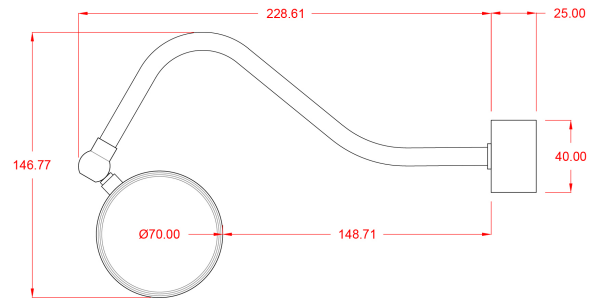
Product Notes:

1) Bulbs not included. 2) Dimensions do not include bulbs. 3) All products are individually made-to-order and therefore may differ slightly within manufacturing tolerances. 4) Cable / chain can be shortened during installation. Longer cable / chain lengths available on request. 5) Additional colour finishes may be available on request. 6) Refer to our website for a full list of terms and conditions.



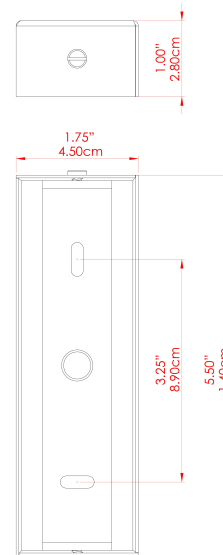
DUBLIN Picture Light

MPL020ANTSLV Antique Silver



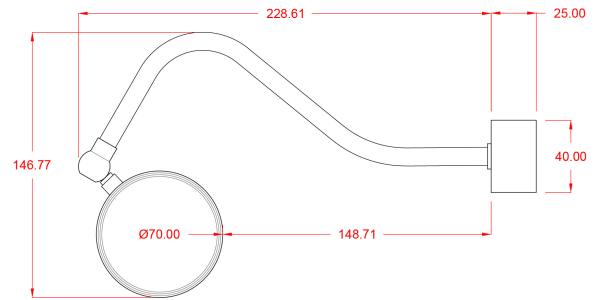
| | |
|---------------------------|----------|
| MATERIAL | Brass |
| HEIGHT | 13cm |
| WIDTH DIAMETER | 50.5cm |
| LENGTH PROJECTION | 20cm |
| WEIGHT | 0.66 kg |
| LAMPHOLDER | G9 |
| MAX WATTAGE | 6.5W |
| VOLTAGE | 220/240v |
| IP RATING | IP20 |
| CLASS PROTECTION | Class I |
| SHADE | - |
| FLEX BAR CHAIN LENGTH | n/a |
| CABLE TYPE | - |

FIXING BRACKET: MLWB06 | Antique Silver



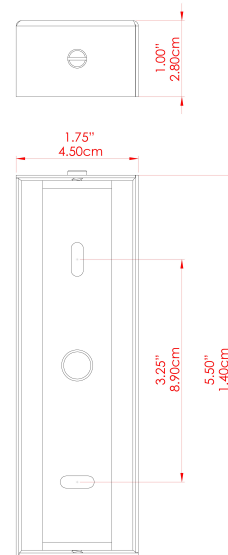
Product Notes:
 1) Bulbs not included. 2) Dimensions do not include bulbs. 3) All products are individually made-to-order and therefore may differ slightly within manufacturing tolerances. 4) Cable / chain can be shortened during installation. Longer cable / chain lengths available on request. 5) Additional colour finishes may be available on request. 6) Refer to our website for a full list of terms and conditions.





| | |
|---------------------------|----------|
| MATERIAL | Brass |
| HEIGHT | 13cm |
| WIDTH DIAMETER | 50.5cm |
| LENGTH PROJECTION | 20cm |
| WEIGHT | 0.66 kg |
| LAMPHOLDER | G9 |
| MAX WATTAGE | 6.5W |
| VOLTAGE | 220/240v |
| IP RATING | IP20 |
| CLASS PROTECTION | Class I |
| SHADE | - |
| FLEX BAR CHAIN LENGTH | n/a |
| CABLE TYPE | - |

FIXING BRACKET: MLWB06 | Gloss Black

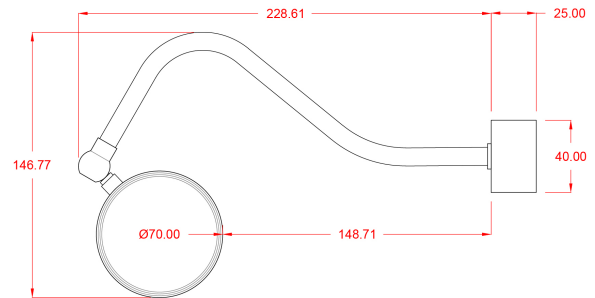


WWW.MULLANLIGHTING.COM

Product Notes:

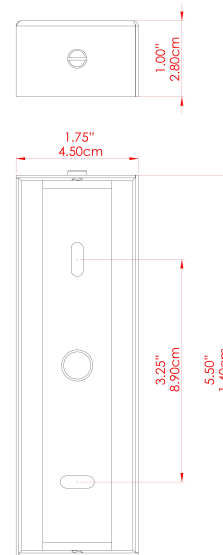
1) Bulbs not included. 2) Dimensions do not include bulbs. 3) All products are individually made-to-order and therefore may differ slightly within manufacturing tolerances. 4) Cable / chain can be shortened during installation. Longer cable / chain lengths available on request. 5) Additional colour finishes may be available on request. 6) Refer to our website for a full list of terms and conditions.





| | |
|---------------------------|----------|
| MATERIAL | Brass |
| HEIGHT | 13cm |
| WIDTH DIAMETER | 50.5cm |
| LENGTH PROJECTION | 20cm |
| WEIGHT | 0.66 kg |
| LAMPHOLDER | G9 |
| MAX WATTAGE | 6.5W |
| VOLTAGE | 220/240v |
| IP RATING | IP20 |
| CLASS PROTECTION | Class I |
| SHADE | - |
| FLEX BAR CHAIN LENGTH | n/a |
| CABLE TYPE | - |

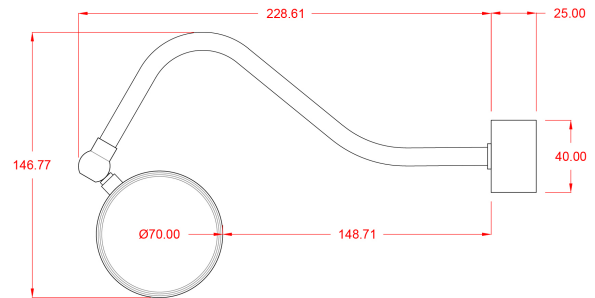
FIXING BRACKET: MLWB06 | Matt Vanilla Cream



WWW.MULLANLIGHTING.COM

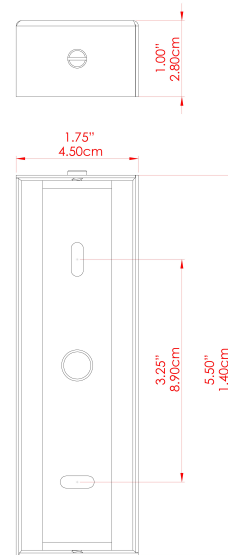
Product Notes:
 1) Bulbs not included. 2) Dimensions do not include bulbs. 3) All products are individually made-to-order and therefore may differ slightly within manufacturing tolerances. 4) Cable / chain can be shortened during installation. Longer cable / chain lengths available on request. 5) Additional colour finishes may be available on request. 6) Refer to our website for a full list of terms and conditions.





| | |
|---------------------------|----------|
| MATERIAL | Brass |
| HEIGHT | 13cm |
| WIDTH DIAMETER | 50.5cm |
| LENGTH PROJECTION | 20cm |
| WEIGHT | 0.66 kg |
| LAMPHOLDER | G9 |
| MAX WATTAGE | 6.5W |
| VOLTAGE | 220/240v |
| IP RATING | IP20 |
| CLASS PROTECTION | Class I |
| SHADE | - |
| FLEX BAR CHAIN LENGTH | n/a |
| CABLE TYPE | - |

FIXING BRACKET: MLWB06 | Sage Green

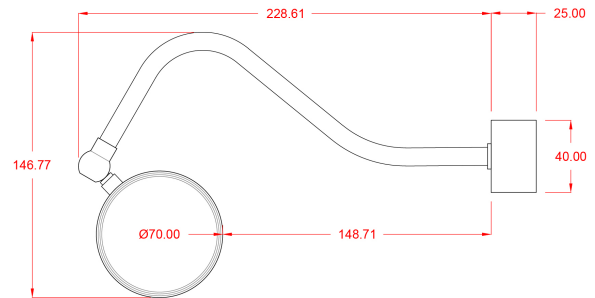


WWW.MULLANLIGHTING.COM

Product Notes:

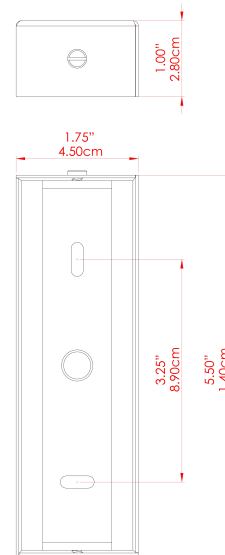
1) Bulbs not included. 2) Dimensions do not include bulbs. 3) All products are individually made-to-order and therefore may differ slightly within manufacturing tolerances. 4) Cable / chain can be shortened during installation. Longer cable / chain lengths available on request. 5) Additional colour finishes may be available on request. 6) Refer to our website for a full list of terms and conditions.





| | |
|---------------------------|----------|
| MATERIAL | Brass |
| HEIGHT | 13cm |
| WIDTH DIAMETER | 50.5cm |
| LENGTH PROJECTION | 20cm |
| WEIGHT | 0.66 kg |
| LAMPHOLDER | G9 |
| MAX WATTAGE | 6.5W |
| VOLTAGE | 220/240v |
| IP RATING | IP20 |
| CLASS PROTECTION | Class I |
| SHADE | - |
| FLEX BAR CHAIN LENGTH | n/a |
| CABLE TYPE | - |

FIXING BRACKET: MLWB06 | Matt Antique Pink



WWW.MULLANLIGHTING.COM

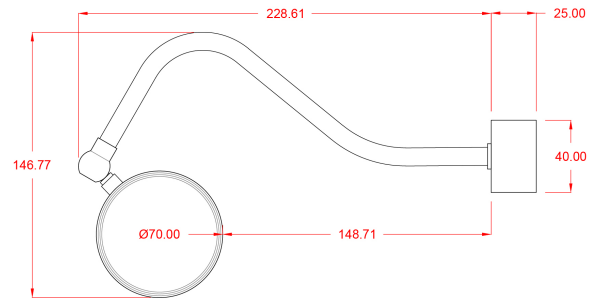
Product Notes:

1) Bulbs not included. 2) Dimensions do not include bulbs. 3) All products are individually made-to-order and therefore may differ slightly within manufacturing tolerances. 4) Cable / chain can be shortened during installation. Longer cable / chain lengths available on request. 5) Additional colour finishes may be available on request. 6) Refer to our website for a full list of terms and conditions.



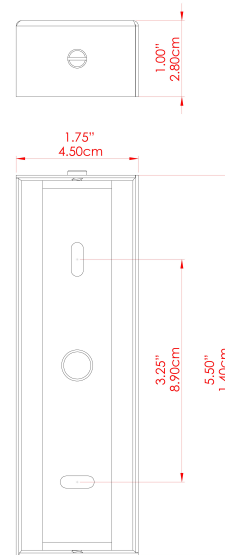
DUBLIN Picture Light

MPL020PCMBK Matt Black



| | |
|---------------------------|----------|
| MATERIAL | Brass |
| HEIGHT | 13cm |
| WIDTH DIAMETER | 50.5cm |
| LENGTH PROJECTION | 20cm |
| WEIGHT | 0.66 kg |
| LAMPHOLDER | G9 |
| MAX WATTAGE | 6.5W |
| VOLTAGE | 220/240v |
| IP RATING | IP20 |
| CLASS PROTECTION | Class I |
| SHADE | - |
| FLEX BAR CHAIN LENGTH | n/a |
| CABLE TYPE | - |

FIXING BRACKET: MLWB06 | Matte Black

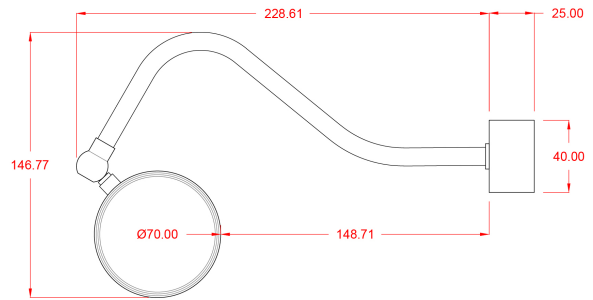


WWW.MULLANLIGHTING.COM

Product Notes:

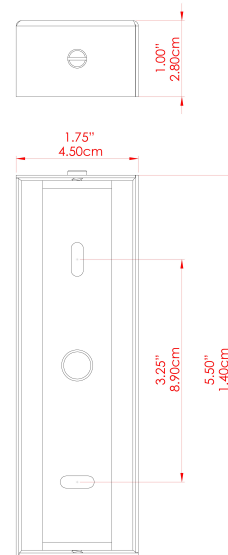
1) Bulbs not included. 2) Dimensions do not include bulbs. 3) All products are individually made-to-order and therefore may differ slightly within manufacturing tolerances. 4) Cable / chain can be shortened during installation. Longer cable / chain lengths available on request. 5) Additional colour finishes may be available on request. 6) Refer to our website for a full list of terms and conditions.

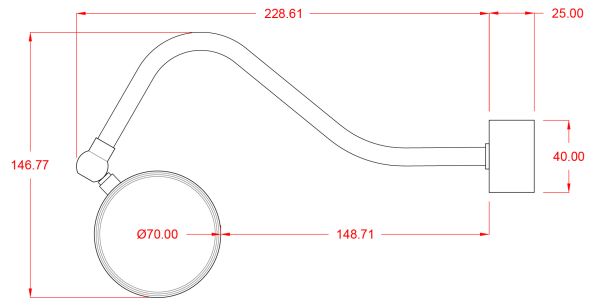




| | |
|---------------------------|----------|
| MATERIAL | Brass |
| HEIGHT | 13cm |
| WIDTH DIAMETER | 50.5cm |
| LENGTH PROJECTION | 20cm |
| WEIGHT | 0.66 kg |
| LAMPHOLDER | G9 |
| MAX WATTAGE | 6.5W |
| VOLTAGE | 220/240v |
| IP RATING | IP20 |
| CLASS PROTECTION | Class I |
| SHADE | - |
| FLEX BAR CHAIN LENGTH | n/a |
| CABLE TYPE | - |

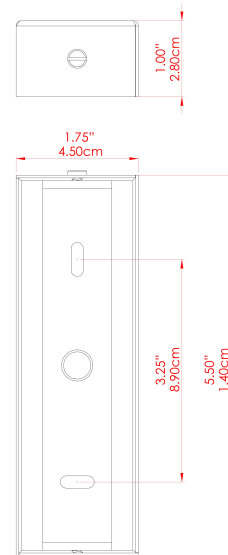
FIXING BRACKET: MLWB06 | Matt Honey Yellow

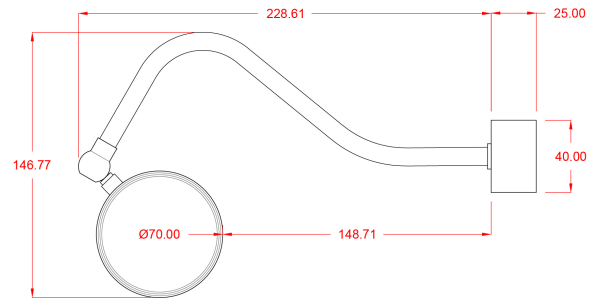




| | |
|---------------------------|----------|
| MATERIAL | Brass |
| HEIGHT | 13cm |
| WIDTH DIAMETER | 50.5cm |
| LENGTH PROJECTION | 20cm |
| WEIGHT | 0.66 kg |
| LAMPHOLDER | G9 |
| MAX WATTAGE | 6.5W |
| VOLTAGE | 220/240v |
| IP RATING | IP20 |
| CLASS PROTECTION | Class I |
| SHADE | - |
| FLEX BAR CHAIN LENGTH | n/a |
| CABLE TYPE | - |

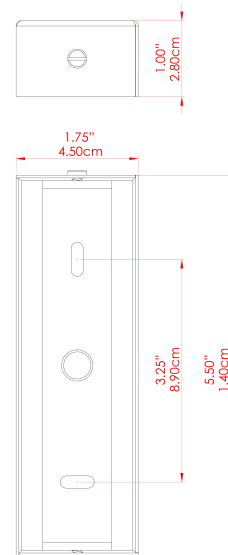
FIXING BRACKET: MLWB06 | Matt Mint Turquoise





| | |
|---------------------------|----------|
| MATERIAL | Brass |
| HEIGHT | 13cm |
| WIDTH DIAMETER | 50.5cm |
| LENGTH PROJECTION | 20cm |
| WEIGHT | 0.66 kg |
| LAMPHOLDER | G9 |
| MAX WATTAGE | 6.5W |
| VOLTAGE | 220/240v |
| IP RATING | IP20 |
| CLASS PROTECTION | Class I |
| SHADE | - |
| FLEX BAR CHAIN LENGTH | n/a |
| CABLE TYPE | - |

FIXING BRACKET: MLWB06 | Matt Sapphire Blue

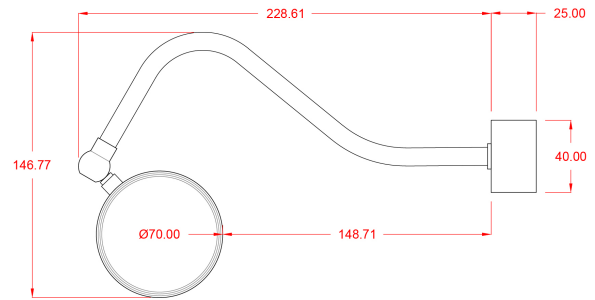


WWW.MULLANLIGHTING.COM

Product Notes:

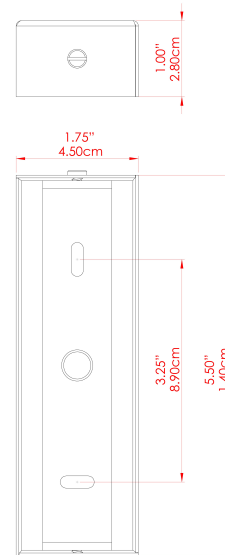
1) Bulbs not included. 2) Dimensions do not include bulbs. 3) All products are individually made-to-order and therefore may differ slightly within manufacturing tolerances. 4) Cable / chain can be shortened during installation. Longer cable / chain lengths available on request. 5) Additional colour finishes may be available on request. 6) Refer to our website for a full list of terms and conditions.





| | |
|---------------------------|----------|
| MATERIAL | Brass |
| HEIGHT | 13cm |
| WIDTH DIAMETER | 50.5cm |
| LENGTH PROJECTION | 20cm |
| WEIGHT | 0.66 kg |
| LAMPHOLDER | G9 |
| MAX WATTAGE | 6.5W |
| VOLTAGE | 220/240v |
| IP RATING | IP20 |
| CLASS PROTECTION | Class I |
| SHADE | - |
| FLEX BAR CHAIN LENGTH | n/a |
| CABLE TYPE | - |

FIXING BRACKET: MLWB06 | Orange

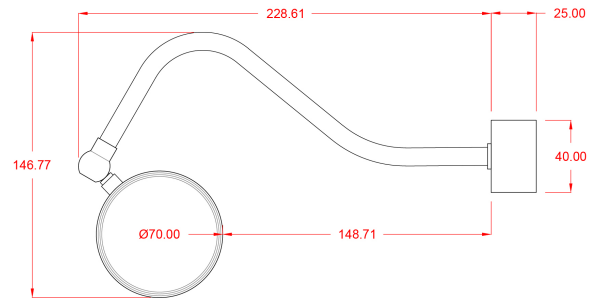


WWW.MULLANLIGHTING.COM

Product Notes:

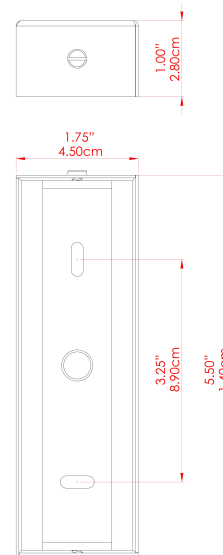
1) Bulbs not included. 2) Dimensions do not include bulbs. 3) All products are individually made-to-order and therefore may differ slightly within manufacturing tolerances. 4) Cable / chain can be shortened during installation. Longer cable / chain lengths available on request. 5) Additional colour finishes may be available on request. 6) Refer to our website for a full list of terms and conditions.





| | |
|---------------------------|----------|
| MATERIAL | Brass |
| HEIGHT | 13cm |
| WIDTH DIAMETER | 50.5cm |
| LENGTH PROJECTION | 20cm |
| WEIGHT | 0.66 kg |
| LAMPHOLDER | G9 |
| MAX WATTAGE | 6.5W |
| VOLTAGE | 220/240v |
| IP RATING | IP20 |
| CLASS PROTECTION | Class I |
| SHADE | - |
| FLEX BAR CHAIN LENGTH | n/a |
| CABLE TYPE | - |

FIXING BRACKET: MLWB06 | Red

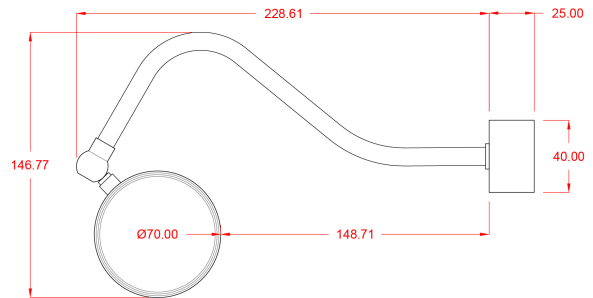


WWW.MULLANLIGHTING.COM

Product Notes:

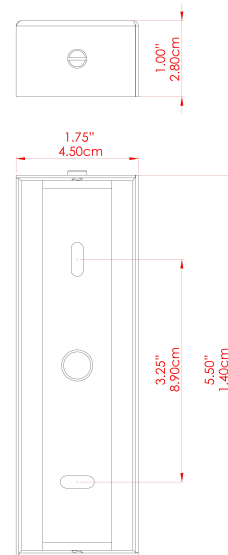
1) Bulbs not included. 2) Dimensions do not include bulbs. 3) All products are individually made-to-order and therefore may differ slightly within manufacturing tolerances. 4) Cable / chain can be shortened during installation. Longer cable / chain lengths available on request. 5) Additional colour finishes may be available on request. 6) Refer to our website for a full list of terms and conditions.





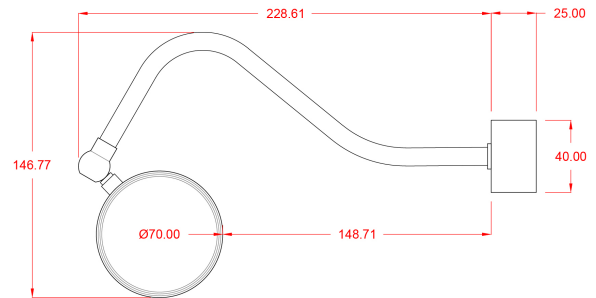
| | |
|---------------------------|----------|
| MATERIAL | Brass |
| HEIGHT | 13cm |
| WIDTH DIAMETER | 50.5cm |
| LENGTH PROJECTION | 20cm |
| WEIGHT | 0.66 kg |
| LAMPHOLDER | G9 |
| MAX WATTAGE | 6.5W |
| VOLTAGE | 220/240v |
| IP RATING | IP20 |
| CLASS PROTECTION | Class I |
| SHADE | - |
| FLEX BAR CHAIN LENGTH | n/a |
| CABLE TYPE | - |

FIXING BRACKET: MLWB06 | Racing Green



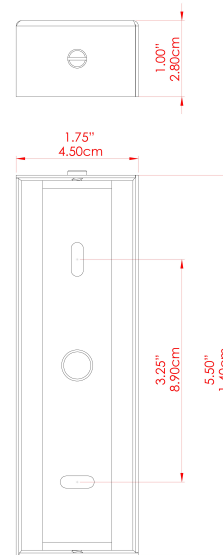
DUBLIN Picture Light

MPL020POLBRS Polished Brass



| | |
|---------------------------|----------|
| MATERIAL | Brass |
| HEIGHT | 13cm |
| WIDTH DIAMETER | 50.5cm |
| LENGTH PROJECTION | 20cm |
| WEIGHT | 0.66 kg |
| LAMPHOLDER | G9 |
| MAX WATTAGE | 6.5W |
| VOLTAGE | 220/240v |
| IP RATING | IP20 |
| CLASS PROTECTION | Class I |
| SHADE | - |
| FLEX BAR CHAIN LENGTH | n/a |
| CABLE TYPE | - |

FIXING BRACKET: MLWB06 | Polished Brass



WWW.MULLANLIGHTING.COM

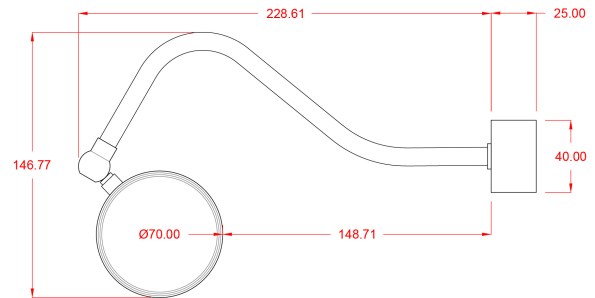
Product Notes:

1) Bulbs not included. 2) Dimensions do not include bulbs. 3) All products are individually made-to-order and therefore may differ slightly within manufacturing tolerances. 4) Cable / chain can be shortened during installation. Longer cable / chain lengths available on request. 5) Additional colour finishes may be available on request. 6) Refer to our website for a full list of terms and conditions.



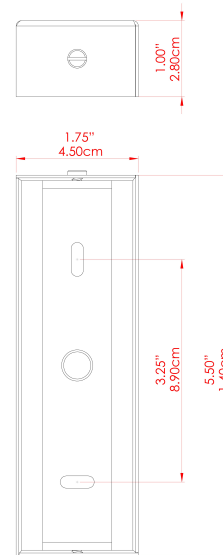
DUBLIN Picture Light

MPL020SATBRS Satin Brass



| | |
|---------------------------|----------|
| MATERIAL | Brass |
| HEIGHT | 13cm |
| WIDTH DIAMETER | 50.5cm |
| LENGTH PROJECTION | 20cm |
| WEIGHT | 0.66 kg |
| LAMPHOLDER | G9 |
| MAX WATTAGE | 6.5W |
| VOLTAGE | 220/240v |
| IP RATING | IP20 |
| CLASS PROTECTION | Class I |
| SHADE | - |
| FLEX BAR CHAIN LENGTH | n/a |
| CABLE TYPE | - |

FIXING BRACKET: MLWB06 | Satin Brass



WWW.MULLANLIGHTING.COM

Product Notes:

1) Bulbs not included. 2) Dimensions do not include bulbs. 3) All products are individually made-to-order and therefore may differ slightly within manufacturing tolerances. 4) Cable / chain can be shortened during installation. Longer cable / chain lengths available on request. 5) Additional colour finishes may be available on request. 6) Refer to our website for a full list of terms and conditions.

