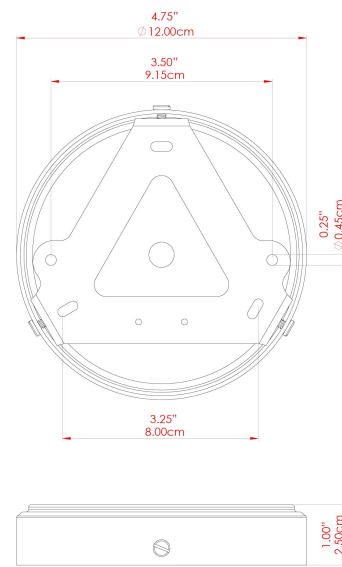


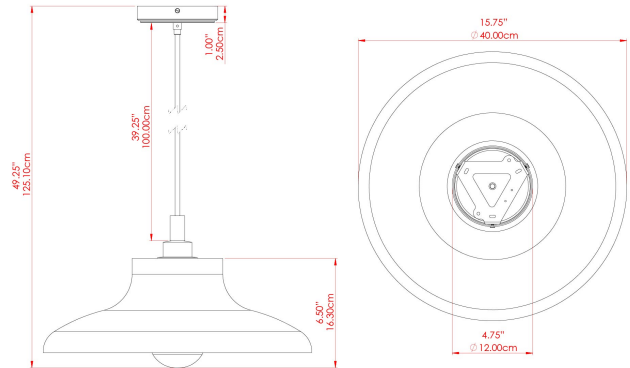
MATERIAL	Brass   Glass
HEIGHT	22cm
WIDTH   DIAMETER	40cm
LENGTH   PROJECTION	n/a
WEIGHT	3.1 kg
LAMPHOLDER	E27
MAX WATTAGE	6.5W
VOLTAGE	220/240v
IP RATING	IP65
CLASS PROTECTION	Class II
SHADE	GL089   GLWP01
FLEX   BAR   CHAIN LENGTH	100cm
CABLE TYPE	MLOCA001   Brown Fabric Braided Outdoor Rubber Cable   2 Core Round

FIXING BRACKET: MLROSE39 | Antique Brass



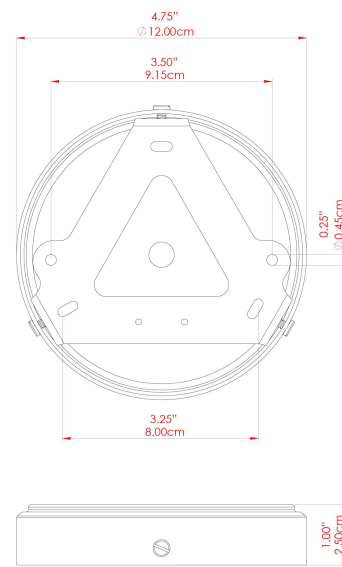
Product Notes:  
 1) Bulbs not included. 2) Dimensions do not include bulbs. 3) All products are individually made-to-order and therefore may differ slightly within manufacturing tolerances. 4) Cable / chain can be shortened during installation. Longer cable / chain lengths available on request. 5) Additional colour finishes may be available on request. 6) Refer to our website for a full list of terms and conditions.





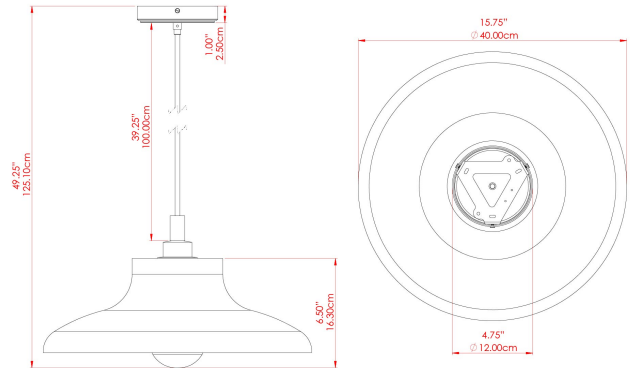
MATERIAL	Brass   Glass
HEIGHT	22cm
WIDTH   DIAMETER	40cm
LENGTH   PROJECTION	n/a
WEIGHT	3.1 kg
LAMPHOLDER	E27
MAX WATTAGE	6.5W
VOLTAGE	220/240v
IP RATING	IP65
CLASS PROTECTION	Class II
SHADE	GL089   GLWP02
FLEX   BAR   CHAIN LENGTH	100cm
CABLE TYPE	MLOCA001   Brown Fabric Braided Outdoor Rubber Cable   2 Core Round

FIXING BRACKET: MLROSE39 | Antique Brass



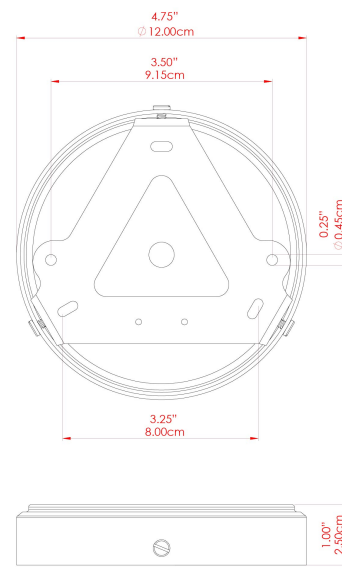
Product Notes:  
 1) Bulbs not included. 2) Dimensions do not include bulbs. 3) All products are individually made-to-order and therefore may differ slightly within manufacturing tolerances. 4) Cable / chain can be shortened during installation. Longer cable / chain lengths available on request. 5) Additional colour finishes may be available on request. 6) Refer to our website for a full list of terms and conditions.





MATERIAL	Brass   Glass
HEIGHT	22cm
WIDTH   DIAMETER	40cm
LENGTH   PROJECTION	n/a
WEIGHT	3.1 kg
LAMPHOLDER	E27
MAX WATTAGE	6.5W
VOLTAGE	220/240v
IP RATING	IP65
CLASS PROTECTION	Class II
SHADE	GL089   GLWP01
FLEX   BAR   CHAIN LENGTH	100cm
CABLE TYPE	MLOCA002   Black Fabric Braided Outdoor Rubber Cable   2 Core Round

### FIXING BRACKET: MLROSE39 | Antique Silver

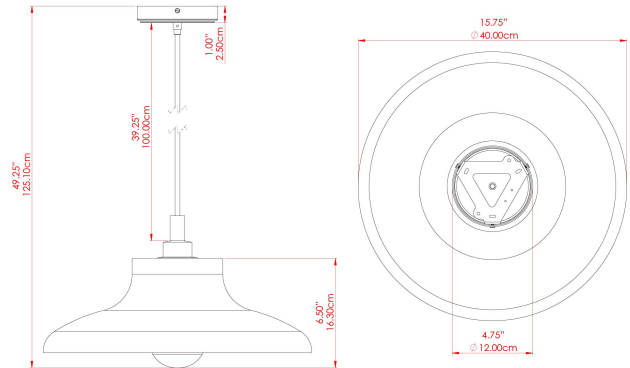


WWW.MULLANLIGHTING.COM

#### Product Notes:

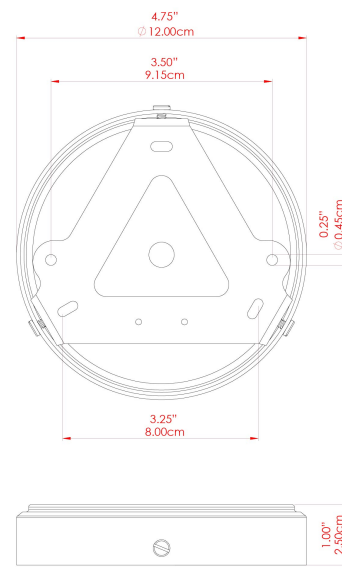
1) Bulbs not included. 2) Dimensions do not include bulbs. 3) All products are individually made-to-order and therefore may differ slightly within manufacturing tolerances. 4) Cable / chain can be shortened during installation. Longer cable / chain lengths available on request. 5) Additional colour finishes may be available on request. 6) Refer to our website for a full list of terms and conditions.





MATERIAL	Brass   Glass
HEIGHT	22cm
WIDTH   DIAMETER	40cm
LENGTH   PROJECTION	n/a
WEIGHT	3.1 kg
LAMPHOLDER	E27
MAX WATTAGE	6.5W
VOLTAGE	220/240v
IP RATING	IP65
CLASS PROTECTION	Class II
SHADE	GL089   GLWP02
FLEX   BAR   CHAIN LENGTH	100cm
CABLE TYPE	MLOCA002   Black Fabric Braided Outdoor Rubber Cable   2 Core Round

### FIXING BRACKET: MLROSE39 | Antique Silver

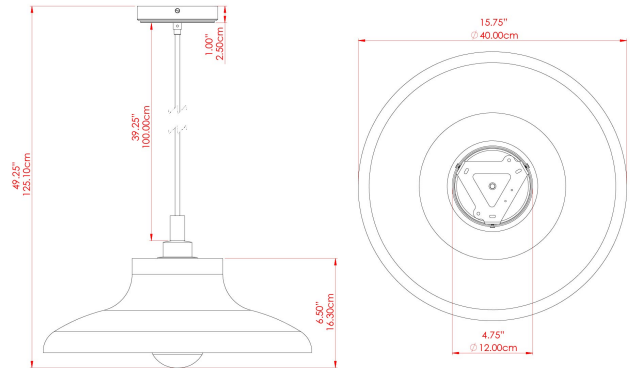


WWW.MULLANLIGHTING.COM

#### Product Notes:

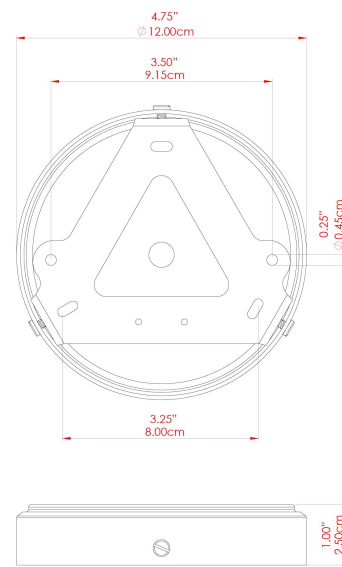
1) Bulbs not included. 2) Dimensions do not include bulbs. 3) All products are individually made-to-order and therefore may differ slightly within manufacturing tolerances. 4) Cable / chain can be shortened during installation. Longer cable / chain lengths available on request. 5) Additional colour finishes may be available on request. 6) Refer to our website for a full list of terms and conditions.





MATERIAL	Brass   Glass
HEIGHT	22cm
WIDTH   DIAMETER	40cm
LENGTH   PROJECTION	n/a
WEIGHT	3.1 kg
LAMPHOLDER	E27
MAX WATTAGE	6.5W
VOLTAGE	220/240v
IP RATING	IP65
CLASS PROTECTION	Class II
SHADE	GL089   GLWP01
FLEX   BAR   CHAIN LENGTH	100cm
CABLE TYPE	MLOCA002   Black Fabric Braided Outdoor Rubber Cable   2 Core Round

FIXING BRACKET: MLROSE39 | Matt Black

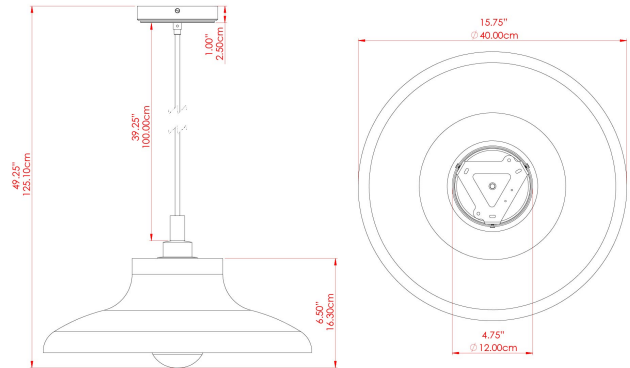


WWW.MULLANLIGHTING.COM

Product Notes:

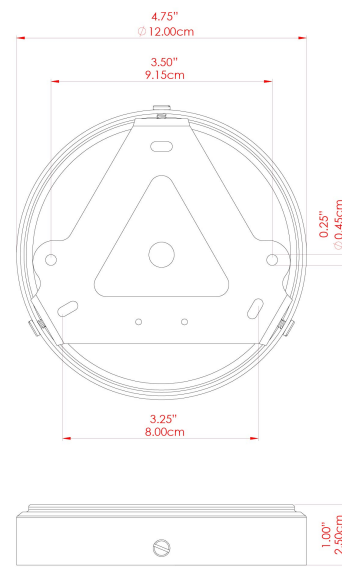
1) Bulbs not included. 2) Dimensions do not include bulbs. 3) All products are individually made-to-order and therefore may differ slightly within manufacturing tolerances. 4) Cable / chain can be shortened during installation. Longer cable / chain lengths available on request. 5) Additional colour finishes may be available on request. 6) Refer to our website for a full list of terms and conditions.





MATERIAL	Brass   Glass
HEIGHT	22cm
WIDTH   DIAMETER	40cm
LENGTH   PROJECTION	n/a
WEIGHT	3.1 kg
LAMPHOLDER	E27
MAX WATTAGE	6.5W
VOLTAGE	220/240v
IP RATING	IP65
CLASS PROTECTION	Class II
SHADE	GL089   GLWP02
FLEX   BAR   CHAIN LENGTH	100cm
CABLE TYPE	MLOCA002   Black Fabric Braided Outdoor Rubber Cable   2 Core Round

FIXING BRACKET: MLROSE39 | Matt Black

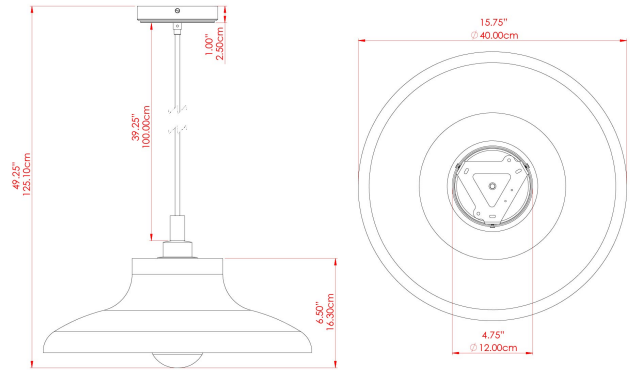


WWW.MULLANLIGHTING.COM

Product Notes:

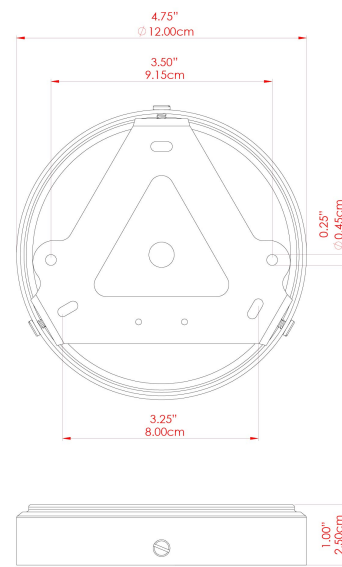
1) Bulbs not included. 2) Dimensions do not include bulbs. 3) All products are individually made-to-order and therefore may differ slightly within manufacturing tolerances. 4) Cable / chain can be shortened during installation. Longer cable / chain lengths available on request. 5) Additional colour finishes may be available on request. 6) Refer to our website for a full list of terms and conditions.





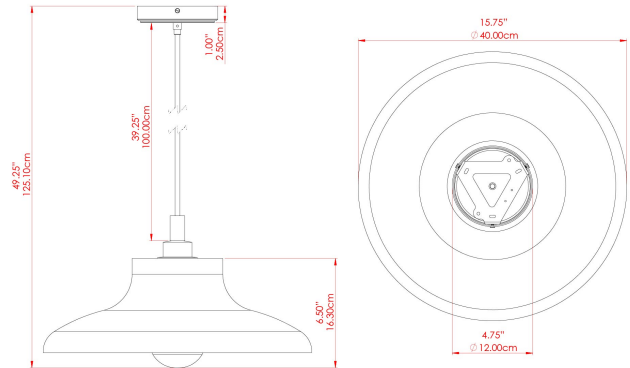
MATERIAL	Brass   Glass
HEIGHT	22cm
WIDTH   DIAMETER	40cm
LENGTH   PROJECTION	n/a
WEIGHT	3.1 kg
LAMPHOLDER	E27
MAX WATTAGE	6.5W
VOLTAGE	220/240v
IP RATING	IP65
CLASS PROTECTION	Class II
SHADE	GL089   GLWP01
FLEX   BAR   CHAIN LENGTH	100cm
CABLE TYPE	MLOCA002   Black Fabric Braided Outdoor Rubber Cable   2 Core Round

FIXING BRACKET: MLROSE39 | Natural Brass



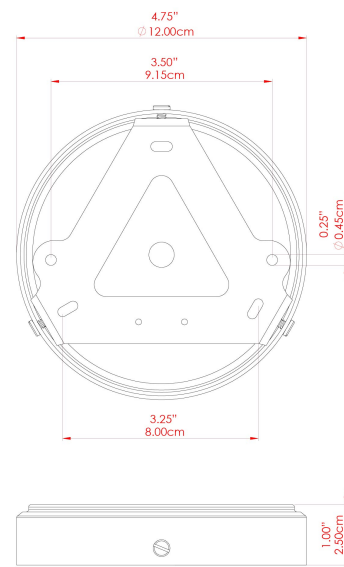
Product Notes:  
 1) Bulbs not included. 2) Dimensions do not include bulbs. 3) All products are individually made-to-order and therefore may differ slightly within manufacturing tolerances. 4) Cable / chain can be shortened during installation. Longer cable / chain lengths available on request. 5) Additional colour finishes may be available on request. 6) Refer to our website for a full list of terms and conditions.

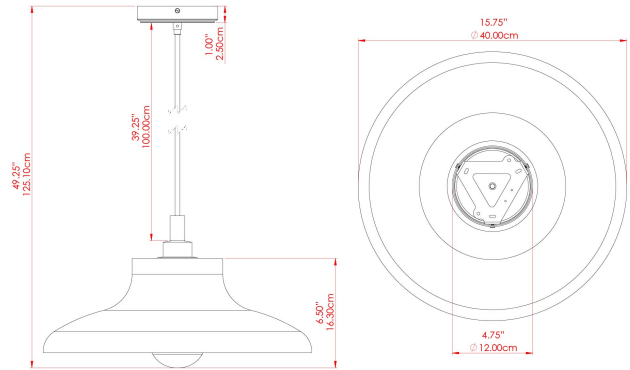




MATERIAL	Brass   Glass
HEIGHT	22cm
WIDTH   DIAMETER	40cm
LENGTH   PROJECTION	n/a
WEIGHT	3.1 kg
LAMPHOLDER	E27
MAX WATTAGE	6.5W
VOLTAGE	220/240v
IP RATING	IP65
CLASS PROTECTION	Class II
SHADE	GL089   GLWP02
FLEX   BAR   CHAIN LENGTH	100cm
CABLE TYPE	MLOCA002   Black Fabric Braided Outdoor Rubber Cable   2 Core Round

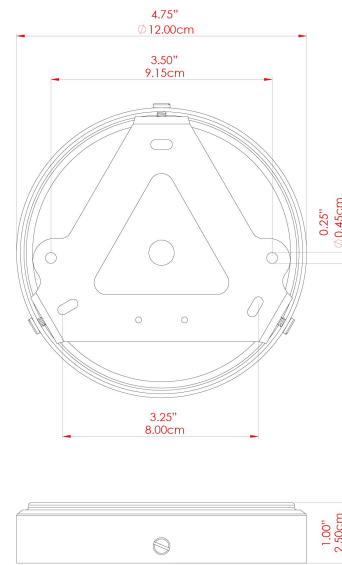
FIXING BRACKET: MLROSE39 | Natural Brass





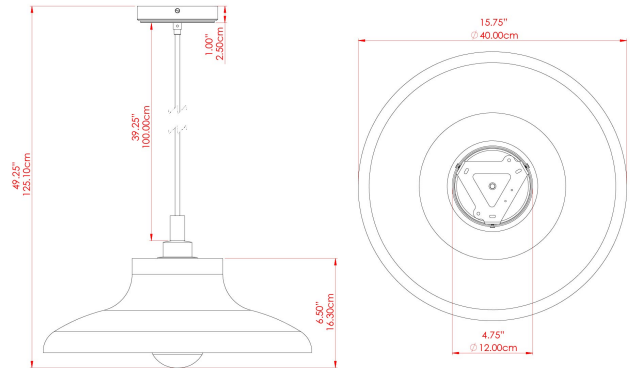
MATERIAL	Brass   Glass
HEIGHT	22cm
WIDTH   DIAMETER	40cm
LENGTH   PROJECTION	n/a
WEIGHT	3.1 kg
LAMPHOLDER	E27
MAX WATTAGE	6.5W
VOLTAGE	220/240v
IP RATING	IP65
CLASS PROTECTION	Class II
SHADE	GL089   GLWP01
FLEX   BAR   CHAIN LENGTH	100cm
CABLE TYPE	MLOCA002   Black Fabric Braided Outdoor Rubber Cable   2 Core Round

FIXING BRACKET: MLROSE39 | Polished Brass



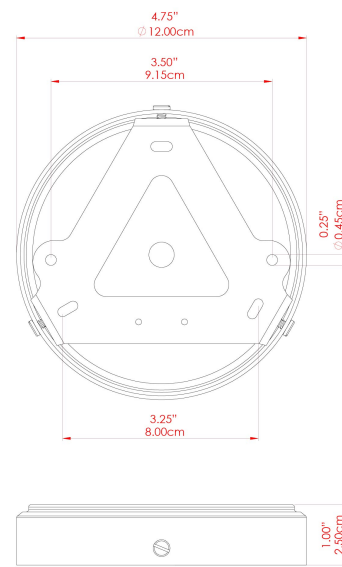
Product Notes:  
 1) Bulbs not included. 2) Dimensions do not include bulbs. 3) All products are individually made-to-order and therefore may differ slightly within manufacturing tolerances. 4) Cable / chain can be shortened during installation. Longer cable / chain lengths available on request. 5) Additional colour finishes may be available on request. 6) Refer to our website for a full list of terms and conditions.





MATERIAL	Brass   Glass
HEIGHT	22cm
WIDTH   DIAMETER	40cm
LENGTH   PROJECTION	n/a
WEIGHT	3.1 kg
LAMPHOLDER	E27
MAX WATTAGE	6.5W
VOLTAGE	220/240v
IP RATING	IP65
CLASS PROTECTION	Class II
SHADE	GL089   GLWP02
FLEX   BAR   CHAIN LENGTH	100cm
CABLE TYPE	MLOCA002   Black Fabric Braided Outdoor Rubber Cable   2 Core Round

FIXING BRACKET: MLROSE39 | Polished Brass

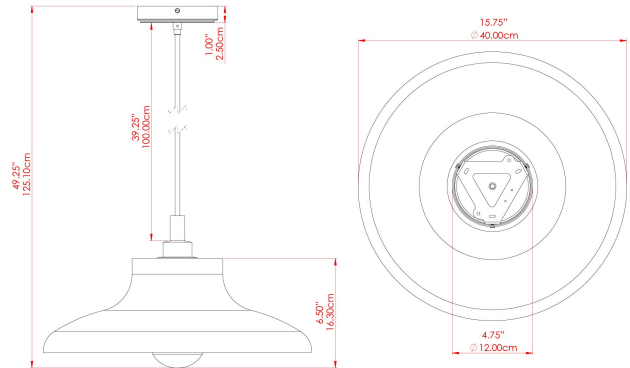


WWW.MULLANLIGHTING.COM

Product Notes:

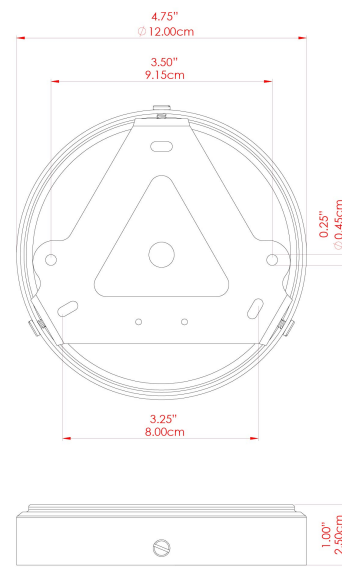
1) Bulbs not included. 2) Dimensions do not include bulbs. 3) All products are individually made-to-order and therefore may differ slightly within manufacturing tolerances. 4) Cable / chain can be shortened during installation. Longer cable / chain lengths available on request. 5) Additional colour finishes may be available on request. 6) Refer to our website for a full list of terms and conditions.

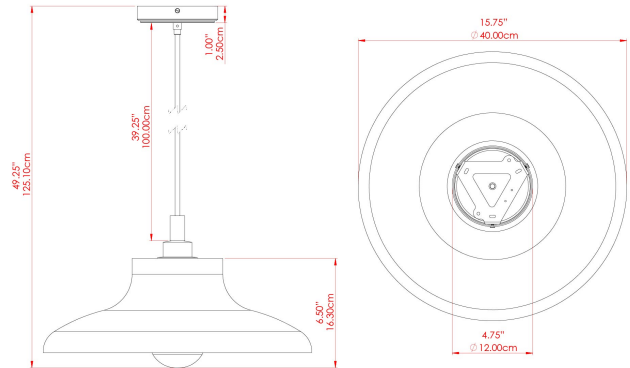




MATERIAL	Brass   Glass
HEIGHT	22cm
WIDTH   DIAMETER	40cm
LENGTH   PROJECTION	n/a
WEIGHT	3.1 kg
LAMPHOLDER	E27
MAX WATTAGE	6.5W
VOLTAGE	220/240v
IP RATING	IP65
CLASS PROTECTION	Class II
SHADE	GL089   GLWP01
FLEX   BAR   CHAIN LENGTH	100cm
CABLE TYPE	MLOCA002   Black Fabric Braided Outdoor Rubber Cable   2 Core Round

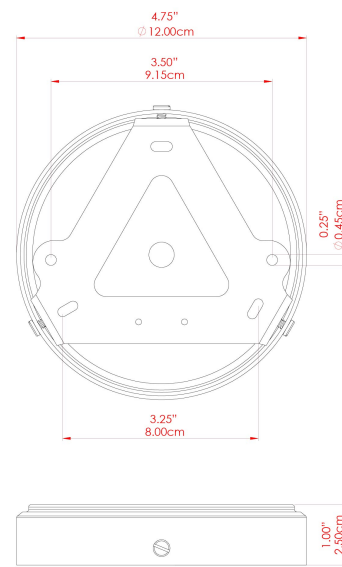
FIXING BRACKET: MLROSE39 | Polished Chrome

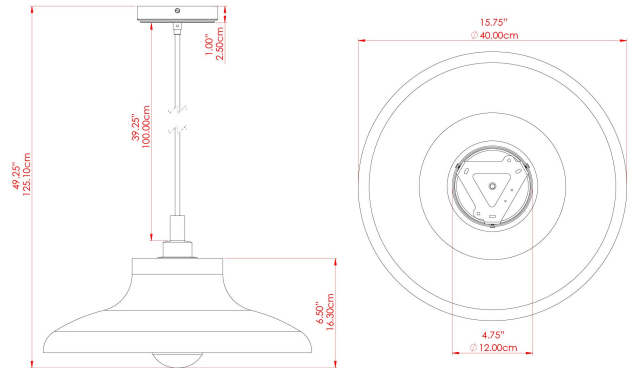




MATERIAL	Brass   Glass
HEIGHT	22cm
WIDTH   DIAMETER	40cm
LENGTH   PROJECTION	n/a
WEIGHT	3.1 kg
LAMPHOLDER	E27
MAX WATTAGE	6.5W
VOLTAGE	220/240v
IP RATING	IP65
CLASS PROTECTION	Class II
SHADE	GL089   GLWP02
FLEX   BAR   CHAIN LENGTH	100cm
CABLE TYPE	MLOCA002   Black Fabric Braided Outdoor Rubber Cable   2 Core Round

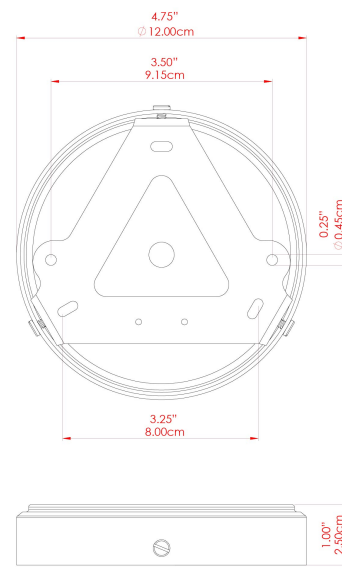
FIXING BRACKET: MLROSE39 | Polished Chrome

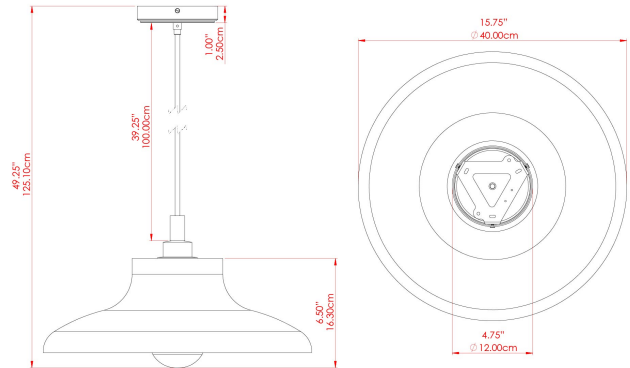




MATERIAL	Brass   Glass
HEIGHT	22cm
WIDTH   DIAMETER	40cm
LENGTH   PROJECTION	n/a
WEIGHT	3.1 kg
LAMPHOLDER	E27
MAX WATTAGE	6.5W
VOLTAGE	220/240v
IP RATING	IP65
CLASS PROTECTION	Class II
SHADE	GL089   GLWP01
FLEX   BAR   CHAIN LENGTH	100cm
CABLE TYPE	MLOCA002   Black Fabric Braided Outdoor Rubber Cable   2 Core Round

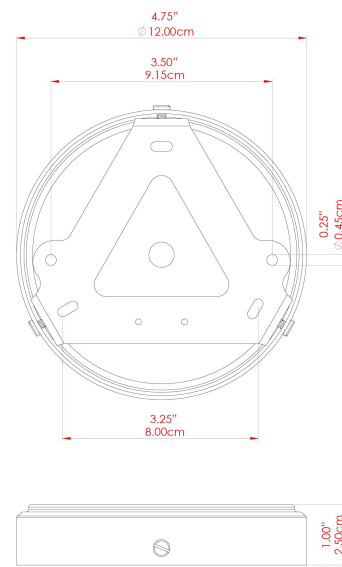
### FIXING BRACKET: MLROSE39 | Satin Brass





MATERIAL	Brass   Glass
HEIGHT	22cm
WIDTH   DIAMETER	40cm
LENGTH   PROJECTION	n/a
WEIGHT	3.1 kg
LAMPHOLDER	E27
MAX WATTAGE	6.5W
VOLTAGE	220/240v
IP RATING	IP65
CLASS PROTECTION	Class II
SHADE	GL089   GLWP02
FLEX   BAR   CHAIN LENGTH	100cm
CABLE TYPE	MLOCA002   Black Fabric Braided Outdoor Rubber Cable   2 Core Round

### FIXING BRACKET: MLROSE39 | Satin Brass

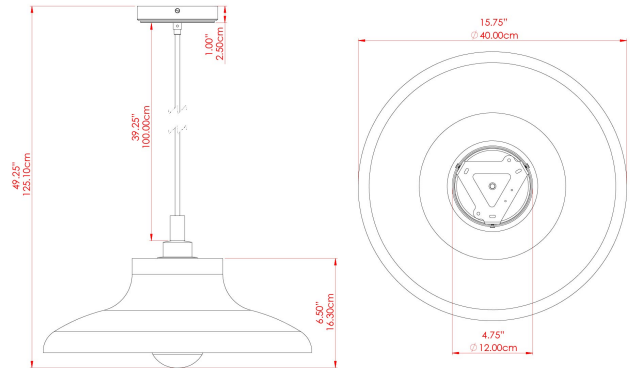


WWW.MULLANLIGHTING.COM

#### Product Notes:

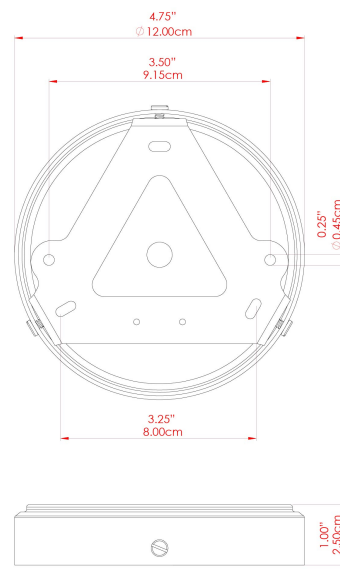
1) Bulbs not included. 2) Dimensions do not include bulbs. 3) All products are individually made-to-order and therefore may differ slightly within manufacturing tolerances. 4) Cable / chain can be shortened during installation. Longer cable / chain lengths available on request. 5) Additional colour finishes may be available on request. 6) Refer to our website for a full list of terms and conditions.

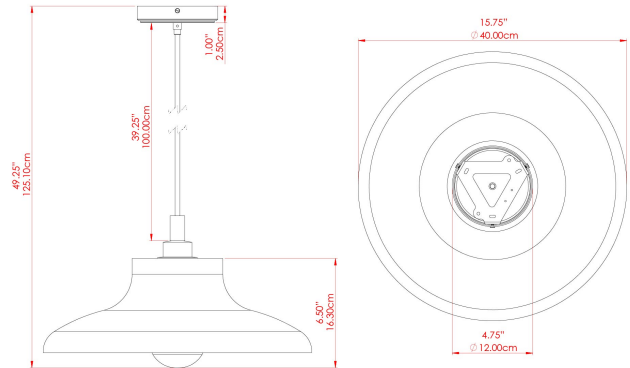




MATERIAL	Brass   Glass
HEIGHT	22cm
WIDTH   DIAMETER	40cm
LENGTH   PROJECTION	n/a
WEIGHT	3.1 kg
LAMPHOLDER	E27
MAX WATTAGE	6.5W
VOLTAGE	220/240v
IP RATING	IP65
CLASS PROTECTION	Class II
SHADE	GL089   GLWP01
FLEX   BAR   CHAIN LENGTH	100cm
CABLE TYPE	MLOCA002   Black Fabric Braided Outdoor Rubber Cable   2 Core Round

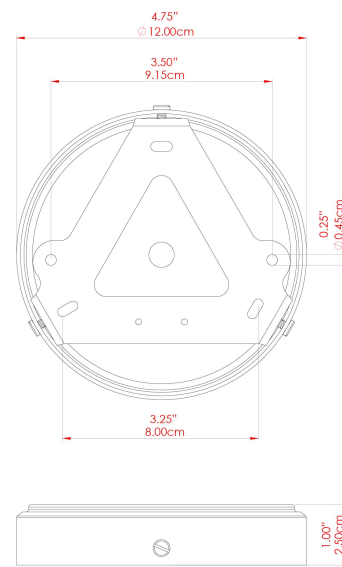
FIXING BRACKET: MLROSE39 | White





MATERIAL	Brass   Glass
HEIGHT	22cm
WIDTH   DIAMETER	40cm
LENGTH   PROJECTION	n/a
WEIGHT	3.1 kg
LAMPHOLDER	E27
MAX WATTAGE	6.5W
VOLTAGE	220/240v
IP RATING	IP65
CLASS PROTECTION	Class II
SHADE	GL089   GLWP02
FLEX   BAR   CHAIN LENGTH	100cm
CABLE TYPE	MLOCA002   Black Fabric Braided Outdoor Rubber Cable   2 Core Round

FIXING BRACKET: MLROSE39 | White



WWW.MULLANLIGHTING.COM

Product Notes:

1) Bulbs not included. 2) Dimensions do not include bulbs. 3) All products are individually made-to-order and therefore may differ slightly within manufacturing tolerances. 4) Cable / chain can be shortened during installation. Longer cable / chain lengths available on request. 5) Additional colour finishes may be available on request. 6) Refer to our website for a full list of terms and conditions.

