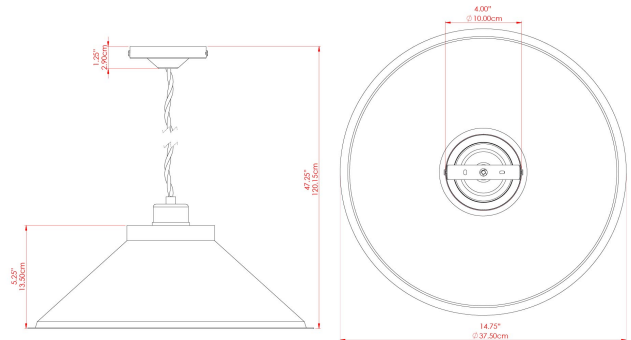


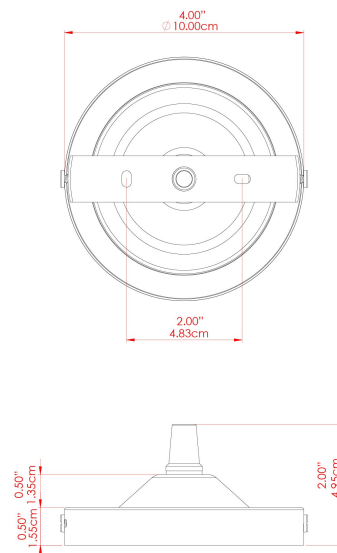
RIO Pendant

MLP507ANTBRSPCMAP Antique Brass



MATERIAL	Brass Aluminium
HEIGHT	13.5cm
WIDTH DIAMETER	37.5cm
LENGTH PROJECTION	n/a
WEIGHT	0.8 kg
LAMPHOLDER	E27
MAX WATTAGE	40W
VOLTAGE	220/240v
IP RATING	IP20
CLASS PROTECTION	Class I
SHADE	-
FLEX BAR CHAIN LENGTH	100cm
CABLE TYPE	MLCA003 Ivory Fabric Braided Cable 2 Core Twisted

FIXING BRACKET: MLROSE05GRIP | Matt Antique Pink



Product Notes:

1) Bulbs not included. 2) Dimensions do not include bulbs. 3) All products are individually made-to-order and therefore may differ slightly within manufacturing tolerances. 4) Cable / chain can be shortened during installation. Longer cable / chain lengths available on request. 5) Additional colour finishes may be available on request. 6) Refer to our website for a full list of terms and conditions.

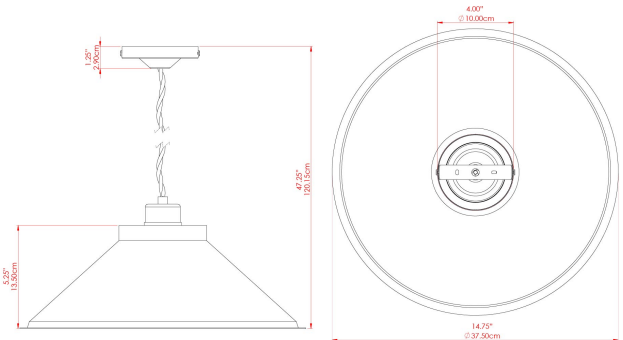


WWW.MULLANLIGHTING.COM



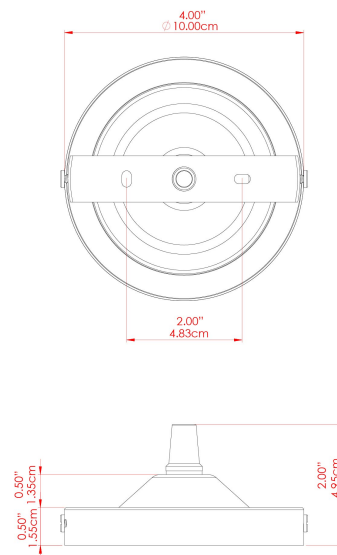
RIO Pendant

MLP507ANTBRSPCMBK Antique Brass



MATERIAL	Brass Aluminium
HEIGHT	13.5cm
WIDTH DIAMETER	37.5cm
LENGTH PROJECTION	n/a
WEIGHT	0.8 kg
LAMPHOLDER	E27
MAX WATTAGE	40W
VOLTAGE	220/240v
IP RATING	IP20
CLASS PROTECTION	Class I
SHADE	-
FLEX BAR CHAIN LENGTH	100cm
CABLE TYPE	MLCA001 Black Fabric Braided Cable 2 Core Twisted

FIXING BRACKET: MLROSE05GRIP | Matt Black

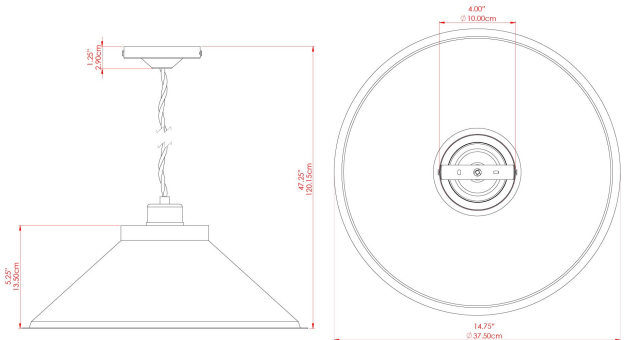


Product Notes:
 1) Bulbs not included. 2) Dimensions do not include bulbs. 3) All products are individually made-to-order and therefore may differ slightly within manufacturing tolerances. 4) Cable / chain can be shortened during installation. Longer cable / chain lengths available on request. 5) Additional colour finishes may be available on request. 6) Refer to our website for a full list of terms and conditions.



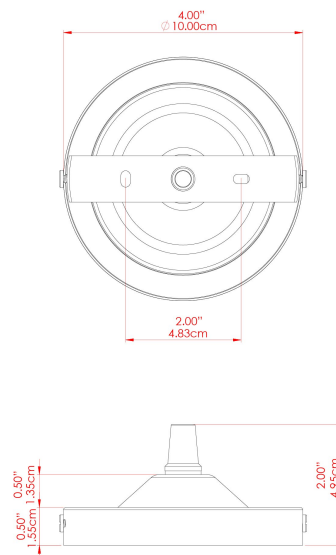
RIO Pendant

MLP507ANTBRSPCMMT Antique Brass



MATERIAL	Brass Aluminium
HEIGHT	13.5cm
WIDTH DIAMETER	37.5cm
LENGTH PROJECTION	n/a
WEIGHT	0.8 kg
LAMPHOLDER	E27
MAX WATTAGE	40W
VOLTAGE	220/240v
IP RATING	IP20
CLASS PROTECTION	Class I
SHADE	-
FLEX BAR CHAIN LENGTH	100cm
CABLE TYPE	MLCA003 Ivory Fabric Braided Cable 2 Core Twisted

FIXING BRACKET: MLROSE05GRIP | Matt Mint Turquoise



Product Notes:

1) Bulbs not included. 2) Dimensions do not include bulbs. 3) All products are individually made-to-order and therefore may differ slightly within manufacturing tolerances. 4) Cable / chain can be shortened during installation. Longer cable / chain lengths available on request. 5) Additional colour finishes may be available on request. 6) Refer to our website for a full list of terms and conditions.

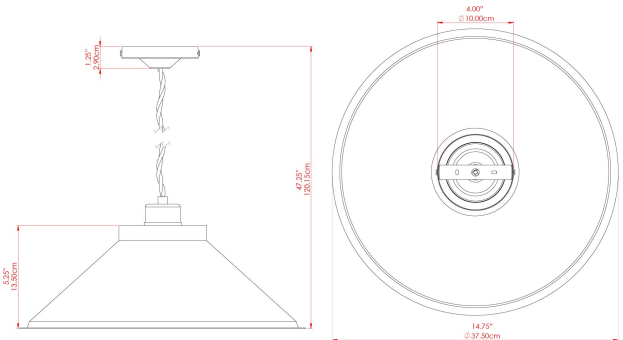


WWW.MULLANLIGHTING.COM



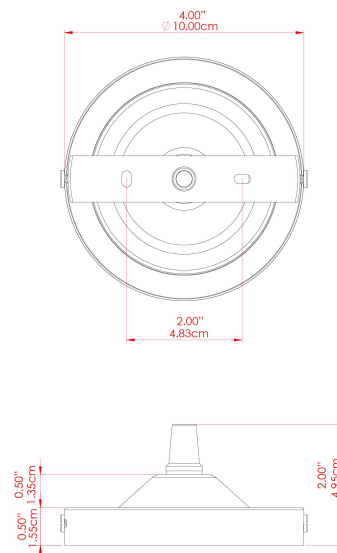
RIO Pendant

MLP507ANTBRSPCORG Antique Brass



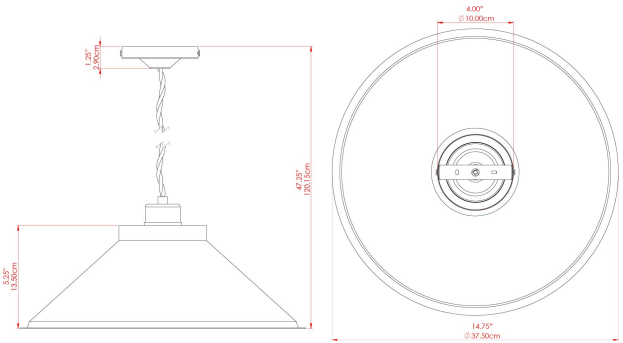
MATERIAL	Brass Aluminium
HEIGHT	13.5cm
WIDTH DIAMETER	37.5cm
LENGTH PROJECTION	n/a
WEIGHT	0.8 kg
LAMPHOLDER	E27
MAX WATTAGE	40W
VOLTAGE	220/240v
IP RATING	IP20
CLASS PROTECTION	Class I
SHADE	-
FLEX BAR CHAIN LENGTH	100cm
CABLE TYPE	MLCA042 Orange Fabric Braided Cable 2 Core Twisted

FIXING BRACKET: MLROSE05GRIP | Orange



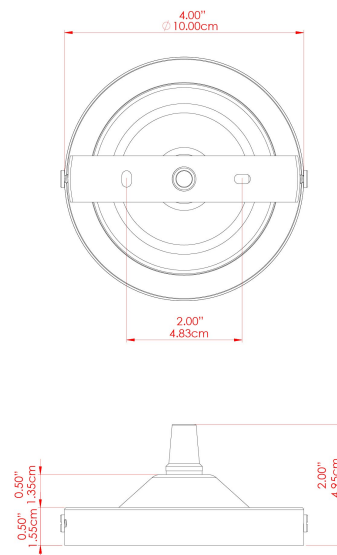
RIO Pendant

MLP507ANTBRSPCRGR Antique Brass



MATERIAL	Brass Aluminium
HEIGHT	13.5cm
WIDTH DIAMETER	37.5cm
LENGTH PROJECTION	n/a
WEIGHT	0.8 kg
LAMPHOLDER	E27
MAX WATTAGE	40W
VOLTAGE	220/240v
IP RATING	IP20
CLASS PROTECTION	Class I
SHADE	-
FLEX BAR CHAIN LENGTH	100cm
CABLE TYPE	MLCA001 Black Fabric Braided Cable 2 Core Twisted

FIXING BRACKET: MLROSE05GRIP | Racing Green

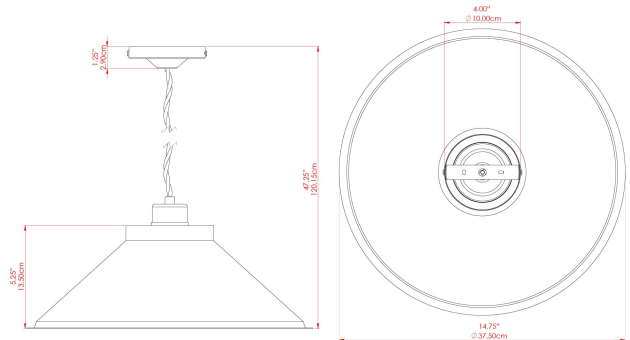


Product Notes:
 1) Bulbs not included. 2) Dimensions do not include bulbs. 3) All products are individually made-to-order and therefore may differ slightly within manufacturing tolerances. 4) Cable / chain can be shortened during installation. Longer cable / chain lengths available on request. 5) Additional colour finishes may be available on request. 6) Refer to our website for a full list of terms and conditions.



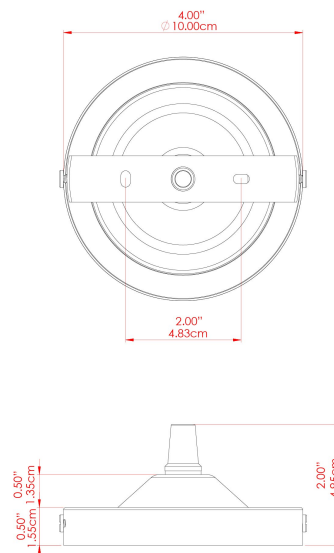
RIO Pendant

MLP507ANTBRSPCRED Antique Brass



MATERIAL	Brass Aluminium
HEIGHT	13.5cm
WIDTH DIAMETER	37.5cm
LENGTH PROJECTION	n/a
WEIGHT	0.8 kg
LAMPHOLDER	E27
MAX WATTAGE	40W
VOLTAGE	220/240v
IP RATING	IP20
CLASS PROTECTION	Class I
SHADE	-
FLEX BAR CHAIN LENGTH	100cm
CABLE TYPE	MLCA034 Red Fabric Braided Cable 2 Core Twisted

FIXING BRACKET: MLROSE05GRIP | Red



Product Notes:

1) Bulbs not included. 2) Dimensions do not include bulbs. 3) All products are individually made-to-order and therefore may differ slightly within manufacturing tolerances. 4) Cable / chain can be shortened during installation. Longer cable / chain lengths available on request. 5) Additional colour finishes may be available on request. 6) Refer to our website for a full list of terms and conditions.

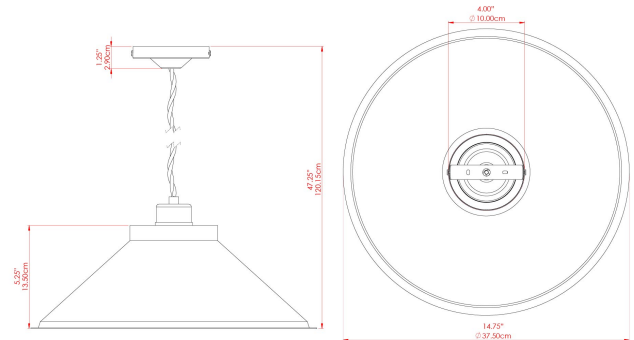


WWW.MULLANLIGHTING.COM



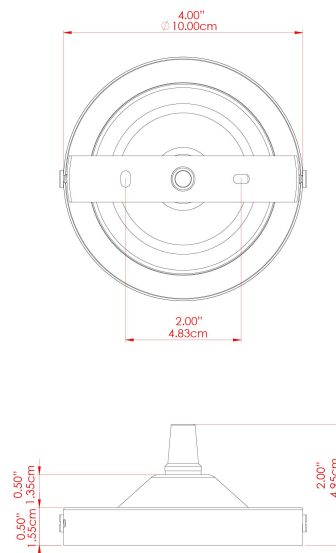
RIO Pendant

MLP507ANTBRSPCGRN Antique Brass



MATERIAL	Brass Aluminium
HEIGHT	13.5cm
WIDTH DIAMETER	37.5cm
LENGTH PROJECTION	n/a
WEIGHT	0.8 kg
LAMPHOLDER	E27
MAX WATTAGE	40W
VOLTAGE	220/240v
IP RATING	IP20
CLASS PROTECTION	Class I
SHADE	-
FLEX BAR CHAIN LENGTH	100cm
CABLE TYPE	MLCA041 Sage Green Fabric Braided Cable 2 Core Twisted

FIXING BRACKET: MLROSE05GRIP | Sage Green

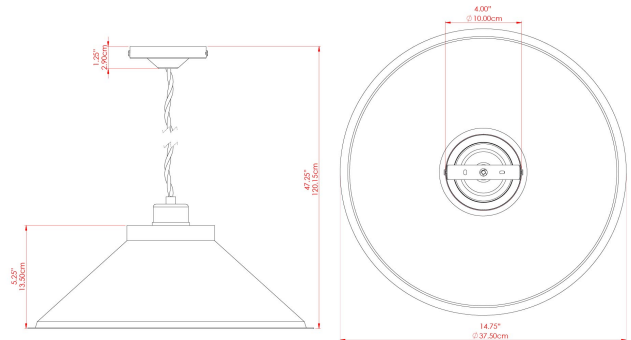


Product Notes:
 1) Bulbs not included. 2) Dimensions do not include bulbs. 3) All products are individually made-to-order and therefore may differ slightly within manufacturing tolerances. 4) Cable / chain can be shortened during installation. Longer cable / chain lengths available on request. 5) Additional colour finishes may be available on request. 6) Refer to our website for a full list of terms and conditions.



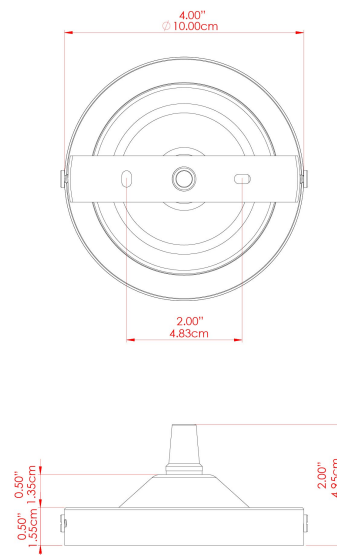
RIO Pendant

MLP507ANTBRSPCCRM Antique Brass



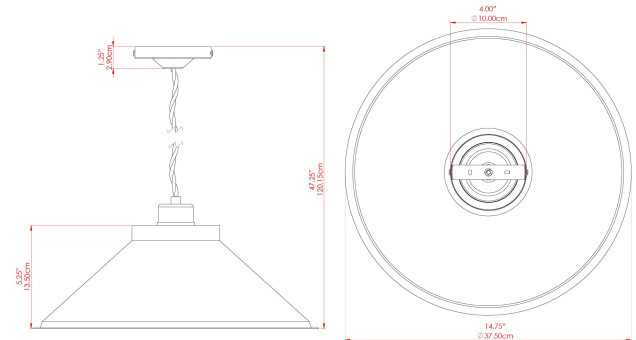
MATERIAL	Brass Aluminium
HEIGHT	13.5cm
WIDTH DIAMETER	37.5cm
LENGTH PROJECTION	n/a
WEIGHT	0.8 kg
LAMPHOLDER	E27
MAX WATTAGE	40W
VOLTAGE	220/240v
IP RATING	IP20
CLASS PROTECTION	Class I
SHADE	-
FLEX BAR CHAIN LENGTH	100cm
CABLE TYPE	MLCA003 Ivory Fabric Braided Cable 2 Core Twisted

FIXING BRACKET: MLROSE05GRIP | Matt Vanilla Cream



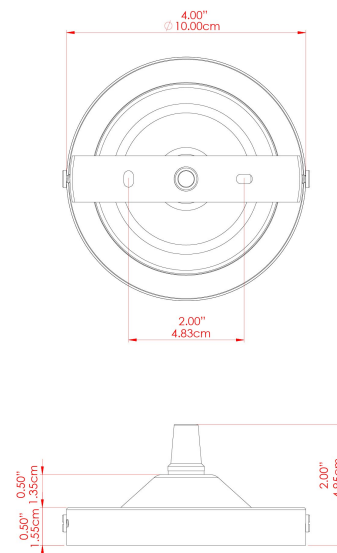
RIO Pendant

MLP507ANTBRSPCYLW Antique Brass



MATERIAL	Brass Aluminium
HEIGHT	13.5cm
WIDTH DIAMETER	37.5cm
LENGTH PROJECTION	n/a
WEIGHT	0.8 kg
LAMPHOLDER	E27
MAX WATTAGE	40W
VOLTAGE	220/240v
IP RATING	IP20
CLASS PROTECTION	Class I
SHADE	-
FLEX BAR CHAIN LENGTH	100cm
CABLE TYPE	MLCA003 Ivory Fabric Braided Cable 2 Core Twisted

FIXING BRACKET: MLROSE05GRIP | Yellow



WWW.MULLANLIGHTING.COM

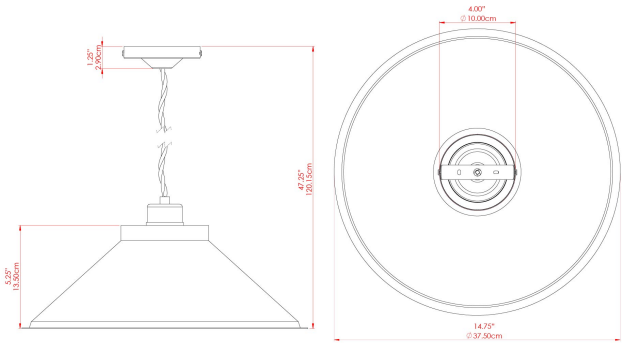
Product Notes:

1) Bulbs not included. 2) Dimensions do not include bulbs. 3) All products are individually made-to-order and therefore may differ slightly within manufacturing tolerances. 4) Cable / chain can be shortened during installation. Longer cable / chain lengths available on request. 5) Additional colour finishes may be available on request. 6) Refer to our website for a full list of terms and conditions.



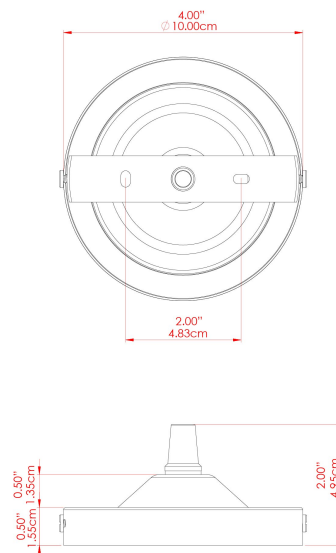
RIO Pendant

MLP507ANTBRSPCMSB Antique Brass



MATERIAL	Brass Aluminium
HEIGHT	13.5cm
WIDTH DIAMETER	37.5cm
LENGTH PROJECTION	n/a
WEIGHT	0.8 kg
LAMPHOLDER	E27
MAX WATTAGE	40W
VOLTAGE	220/240v
IP RATING	IP20
CLASS PROTECTION	Class I
SHADE	-
FLEX BAR CHAIN LENGTH	100cm
CABLE TYPE	MLCA040 Electric Blue Fabric Braided Cable 2 Core Twisted

FIXING BRACKET: MLROSE05GRIP | Matt Sapphire Blue



Product Notes:
 1) Bulbs not included. 2) Dimensions do not include bulbs. 3) All products are individually made-to-order and therefore may differ slightly within manufacturing tolerances. 4) Cable / chain can be shortened during installation. Longer cable / chain lengths available on request. 5) Additional colour finishes may be available on request. 6) Refer to our website for a full list of terms and conditions.

