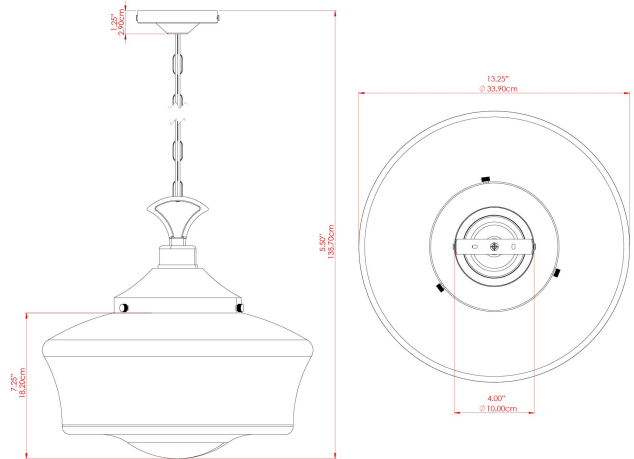


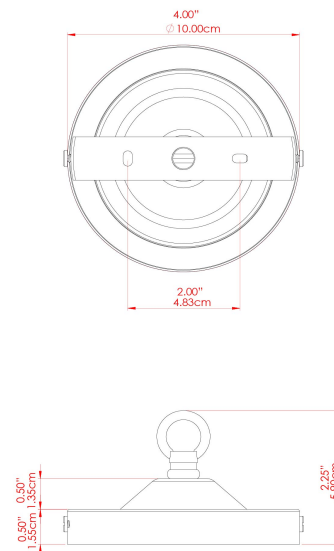
# SCHOOLHOUSE Pendant

# MLP117ANTBRS Antique Brass

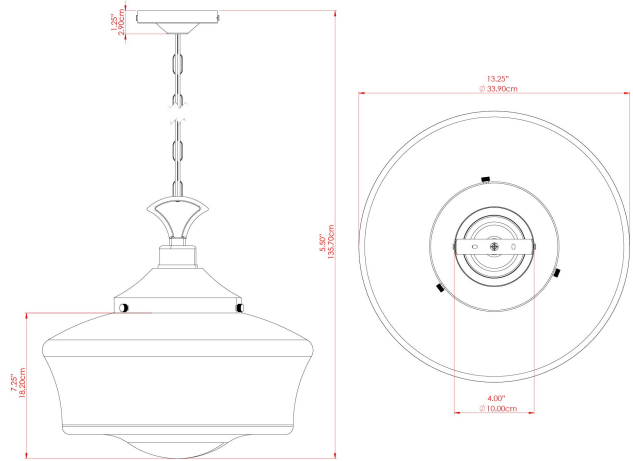


MATERIAL	Brass   Glass
HEIGHT	28cm
WIDTH   DIAMETER	35cm
LENGTH   PROJECTION	n/a
WEIGHT	1.7 kg
LAMPHOLDER	E27
MAX WATTAGE	60W
VOLTAGE	220/240v
IP RATING	IP20
CLASS PROTECTION	Class I
SHADE	GL041A
FLEX   BAR   CHAIN LENGTH	100cm
CABLE TYPE	MLCA010   Brown PVC Flexible Cable   2 Core

## FIXING BRACKET: MLROSE05HOOK | Antique Brass







MATERIAL	Brass
HEIGHT	23cm
WIDTH   DIAMETER	30cm
LENGTH   PROJECTION	18cm
WEIGHT	0 kg
LAMPHOLDER	E27
MAX WATTAGE	6.5W
VOLTAGE	220/240v
IP RATING	IP65
CLASS PROTECTION	Class I
SHADE	-
FLEX   BAR   CHAIN LENGTH	100cm
CABLE TYPE	

FIXING BRACKET: MLROSE05

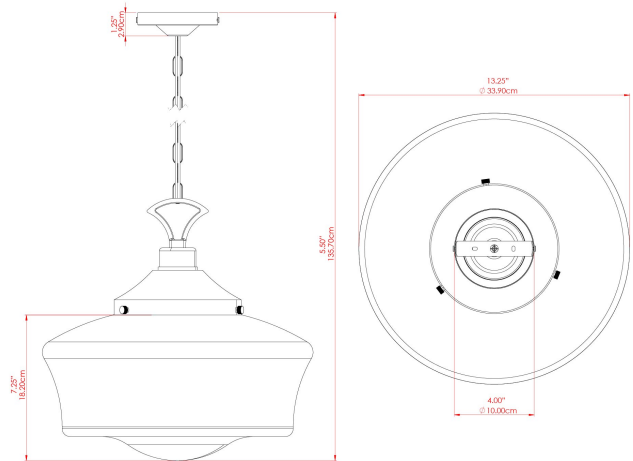


WWW.MULLANLIGHTING.COM

Product Notes:

1) Bulbs not included. 2) Dimensions do not include bulbs. 3) All products are individually made-to-order and therefore may differ slightly within manufacturing tolerances. 4) Cable / chain can be shortened during installation. Longer cable / chain lengths available on request. 5) Additional colour finishes may be available on request. 6) Refer to our website for a full list of terms and conditions.





MATERIAL	Brass
HEIGHT	23cm
WIDTH   DIAMETER	30cm
LENGTH   PROJECTION	18cm
WEIGHT	0 kg
LAMPHOLDER	E27
MAX WATTAGE	6.5W
VOLTAGE	220/240v
IP RATING	IP65
CLASS PROTECTION	Class I
SHADE	-
FLEX   BAR   CHAIN LENGTH	100cm
CABLE TYPE	

FIXING BRACKET: MLROSE05



WWW.MULLANLIGHTING.COM

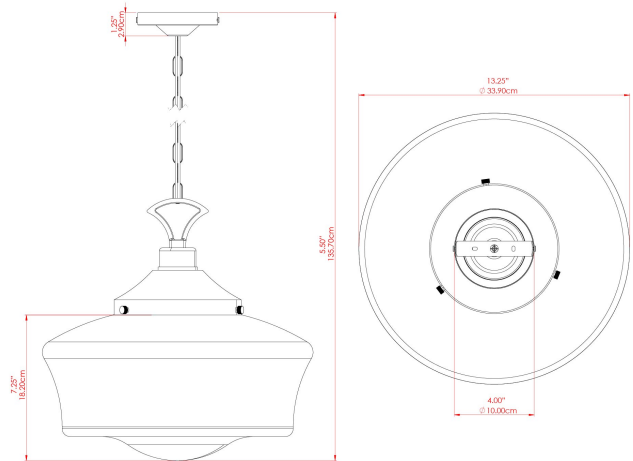
Product Notes:

1) Bulbs not included. 2) Dimensions do not include bulbs. 3) All products are individually made-to-order and therefore may differ slightly within manufacturing tolerances. 4) Cable / chain can be shortened during installation. Longer cable / chain lengths available on request. 5) Additional colour finishes may be available on request. 6) Refer to our website for a full list of terms and conditions.



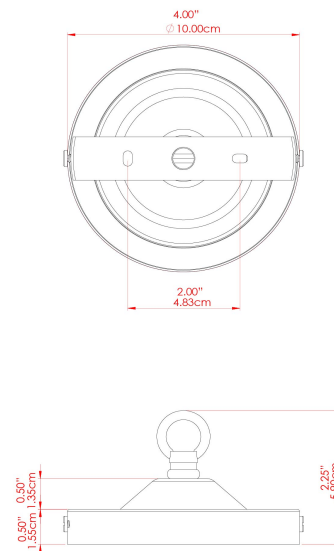
# SCHOOLHOUSE Pendant

MLP117POLBRS Polished Brass



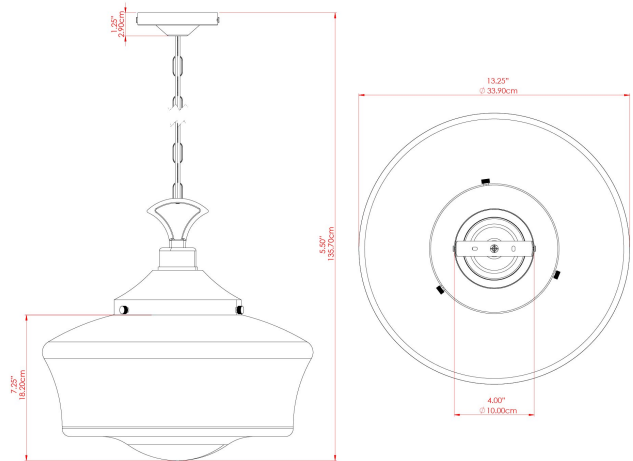
MATERIAL	Brass   Glass
HEIGHT	28cm
WIDTH   DIAMETER	35cm
LENGTH   PROJECTION	n/a
WEIGHT	1.7 kg
LAMPHOLDER	E27
MAX WATTAGE	60W
VOLTAGE	220/240v
IP RATING	IP20
CLASS PROTECTION	Class I
SHADE	GL041A
FLEX   BAR   CHAIN LENGTH	100cm
CABLE TYPE	MLCA038   Gold PVC Flexible Cable   2 Core

FIXING BRACKET: MLROSE05HOOK | Polished Brass



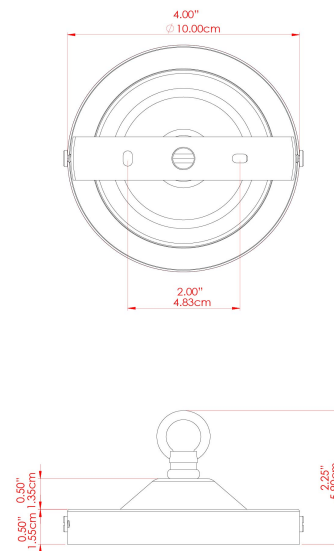
# SCHOOLHOUSE Pendant

## MLP117POLCHR Polished Chrome



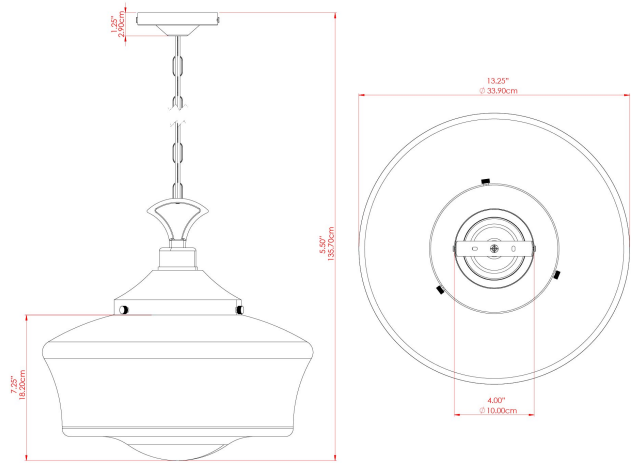
MATERIAL	Brass   Glass
HEIGHT	28cm
WIDTH   DIAMETER	35cm
LENGTH   PROJECTION	n/a
WEIGHT	1.7 kg
LAMPHOLDER	E27
MAX WATTAGE	60W
VOLTAGE	220/240v
IP RATING	IP20
CLASS PROTECTION	Class I
SHADE	GL041A
FLEX   BAR   CHAIN LENGTH	100cm
CABLE TYPE	MLCA014   Clear PVC Flexible Cable   2 Core

### FIXING BRACKET: MLROSE05HOOK | Polished Chrome



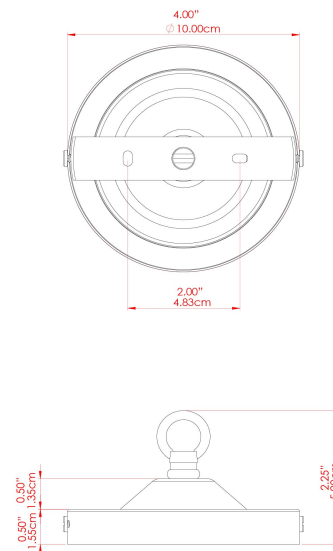
# SCHOOLHOUSE Pendant

MLP117SATBRS Satin Brass



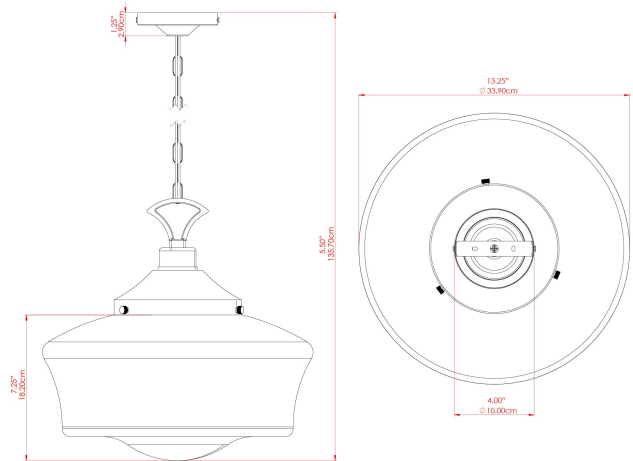
MATERIAL	Brass   Glass
HEIGHT	28cm
WIDTH   DIAMETER	35cm
LENGTH   PROJECTION	n/a
WEIGHT	1.7 kg
LAMPHOLDER	E27
MAX WATTAGE	60W
VOLTAGE	220/240v
IP RATING	IP20
CLASS PROTECTION	Class I
SHADE	GL041A
FLEX   BAR   CHAIN LENGTH	100cm
CABLE TYPE	MLCA038   Gold PVC Flexible Cable   2 Core

FIXING BRACKET: MLROSE05HOOK | Satin Brass



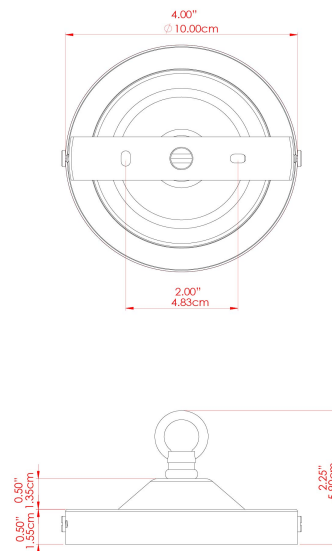
# SCHOOLHOUSE Pendant

# MLP117SATCHR Satin Chrome



MATERIAL	Brass   Glass
HEIGHT	28cm
WIDTH   DIAMETER	35cm
LENGTH   PROJECTION	n/a
WEIGHT	1.7 kg
LAMPHOLDER	E27
MAX WATTAGE	60W
VOLTAGE	220/240v
IP RATING	IP20
CLASS PROTECTION	Class I
SHADE	GL041A
FLEX   BAR   CHAIN LENGTH	100cm
CABLE TYPE	MLCA014   Clear PVC Flexible Cable   2 Core

### FIXING BRACKET: MLROSE05HOOK | Satin Chrome



Product Notes:  
 1) Bulbs not included. 2) Dimensions do not include bulbs. 3) All products are individually made-to-order and therefore may differ slightly within manufacturing tolerances. 4) Cable / chain can be shortened during installation. Longer cable / chain lengths available on request. 5) Additional colour finishes may be available on request. 6) Refer to our website for a full list of terms and conditions.

