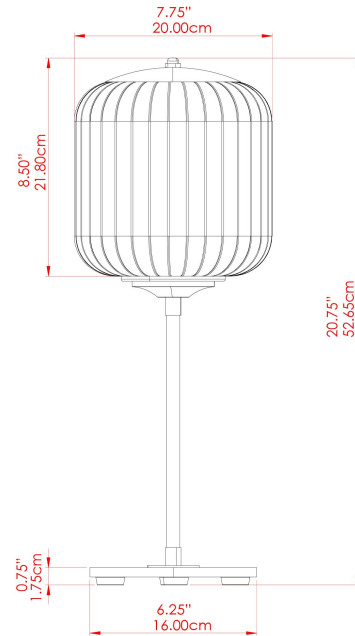


# ASTORIA Table Lamp

MLTL077ANTBRSPCMBK Antique Brass



MATERIAL	Brass   Glass   Steel
HEIGHT	52cm
WIDTH   DIAMETER	20cm
LENGTH   PROJECTION	n/a
WEIGHT	2.9 kg
LAMPHOLDER	E27
MAX WATTAGE	40W
VOLTAGE	220/240v
IP RATING	IP20
CLASS PROTECTION	Class II
SHADE	GL193
FLEX   BAR   CHAIN LENGTH	150cm
CABLE TYPE	MLCA047   Brown Fabric Braided Cable   2 Core Round

FIXING BRACKET: -

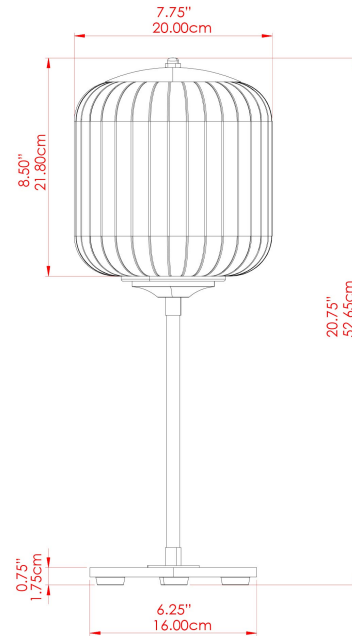


Product Notes:  
 1) Bulbs not included. 2) Dimensions do not include bulbs. 3) All products are individually made-to-order and therefore may differ slightly within manufacturing tolerances. 4) Cable / chain can be shortened during installation. Longer cable / chain lengths available on request. 5) Additional colour finishes may be available on request. 6) Refer to our website for a full list of terms and conditions.



# ASTORIA Table Lamp

MLTL077ANTBRSPCMBKOP Antique Brass



MATERIAL	Brass   Glass   Steel
HEIGHT	52cm
WIDTH   DIAMETER	20cm
LENGTH   PROJECTION	n/a
WEIGHT	2.9 kg
LAMPHOLDER	E27
MAX WATTAGE	40W
VOLTAGE	220/240v
IP RATING	IP20
CLASS PROTECTION	Class II
SHADE	GL204
FLEX   BAR   CHAIN LENGTH	150cm
CABLE TYPE	MLCA028   Black Fabric Braided Cable   2 Core Round

FIXING BRACKET: -



WWW.MULLANLIGHTING.COM

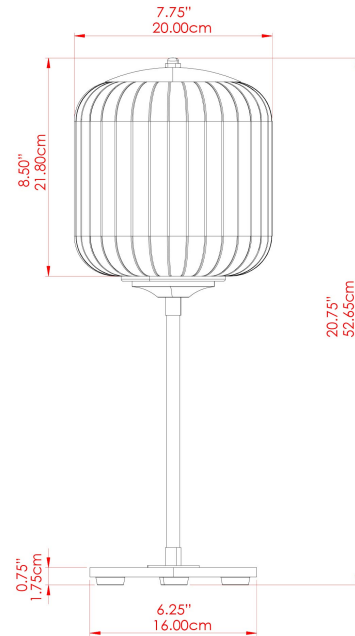
**Product Notes:**

1) Bulbs not included. 2) Dimensions do not include bulbs. 3) All products are individually made-to-order and therefore may differ slightly within manufacturing tolerances. 4) Cable / chain can be shortened during installation. Longer cable / chain lengths available on request. 5) Additional colour finishes may be available on request. 6) Refer to our website for a full list of terms and conditions.



# ASTORIA Table Lamp

MLTL077ANTBRSPCWTE Antique Brass



MATERIAL	Brass   Glass   Steel
HEIGHT	52cm
WIDTH   DIAMETER	20cm
LENGTH   PROJECTION	n/a
WEIGHT	2.9 kg
LAMPHOLDER	E27
MAX WATTAGE	40W
VOLTAGE	220/240v
IP RATING	IP20
CLASS PROTECTION	Class II
SHADE	GL193
FLEX   BAR   CHAIN LENGTH	150cm
CABLE TYPE	MLCA047   Brown Fabric Braided Cable   2 Core Round

FIXING BRACKET: -



WWW.MULLANLIGHTING.COM

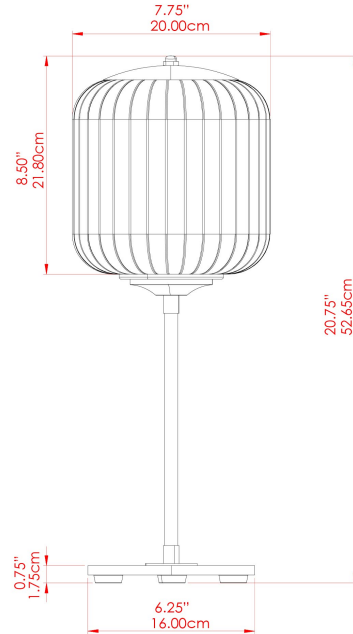
**Product Notes:**

1) Bulbs not included. 2) Dimensions do not include bulbs. 3) All products are individually made-to-order and therefore may differ slightly within manufacturing tolerances. 4) Cable / chain can be shortened during installation. Longer cable / chain lengths available on request. 5) Additional colour finishes may be available on request. 6) Refer to our website for a full list of terms and conditions.



# ASTORIA Table Lamp

MLTL077ANTBRSPCWTEOP Antique Brass



MATERIAL	Brass   Glass   Steel
HEIGHT	52cm
WIDTH   DIAMETER	20cm
LENGTH   PROJECTION	n/a
WEIGHT	2.9 kg
LAMPHOLDER	E27
MAX WATTAGE	40W
VOLTAGE	220/240v
IP RATING	IP20
CLASS PROTECTION	Class II
SHADE	GL204
FLEX   BAR   CHAIN LENGTH	150cm
CABLE TYPE	MLCA028   Black Fabric Braided Cable   2 Core Round

FIXING BRACKET: -

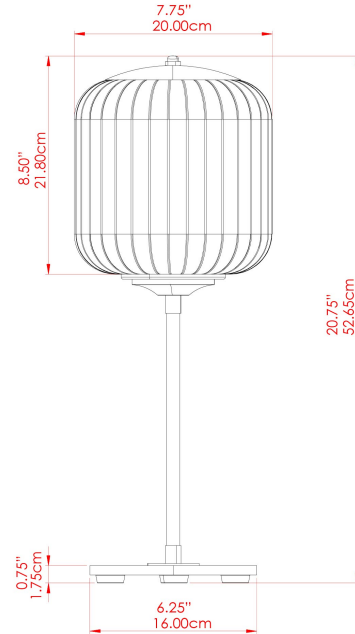


Product Notes:  
 1) Bulbs not included. 2) Dimensions do not include bulbs. 3) All products are individually made-to-order and therefore may differ slightly within manufacturing tolerances. 4) Cable / chain can be shortened during installation. Longer cable / chain lengths available on request. 5) Additional colour finishes may be available on request. 6) Refer to our website for a full list of terms and conditions.



# ASTORIA Table Lamp

MLTL077ANTSLVPCMBK Antique Silver



MATERIAL	Brass   Glass   Steel
HEIGHT	52cm
WIDTH   DIAMETER	20cm
LENGTH   PROJECTION	n/a
WEIGHT	2.9 kg
LAMPHOLDER	E27
MAX WATTAGE	40W
VOLTAGE	220/240v
IP RATING	IP20
CLASS PROTECTION	Class II
SHADE	GL193
FLEX   BAR   CHAIN LENGTH	150cm
CABLE TYPE	MLCA028   Black Fabric Braided Cable   2 Core Round

FIXING BRACKET: -

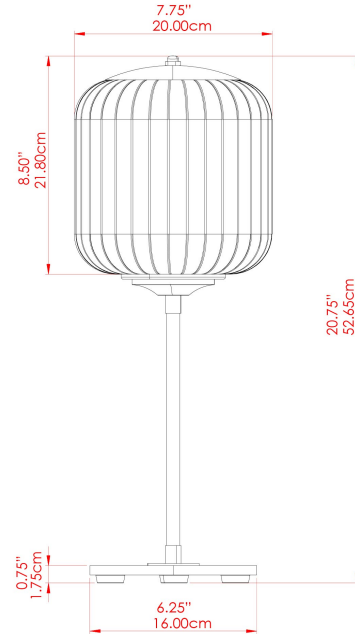


Product Notes:  
 1) Bulbs not included. 2) Dimensions do not include bulbs. 3) All products are individually made-to-order and therefore may differ slightly within manufacturing tolerances. 4) Cable / chain can be shortened during installation. Longer cable / chain lengths available on request. 5) Additional colour finishes may be available on request. 6) Refer to our website for a full list of terms and conditions.



# ASTORIA Table Lamp

MLTL077ANTSLVPCMBKOP Antique Silver



MATERIAL	Brass   Glass   Steel
HEIGHT	52cm
WIDTH   DIAMETER	20cm
LENGTH   PROJECTION	n/a
WEIGHT	2.9 kg
LAMPHOLDER	E27
MAX WATTAGE	40W
VOLTAGE	220/240v
IP RATING	IP20
CLASS PROTECTION	Class II
SHADE	GL204
FLEX   BAR   CHAIN LENGTH	150cm
CABLE TYPE	MLCA028   Black Fabric Braided Cable   2 Core Round

FIXING BRACKET: -

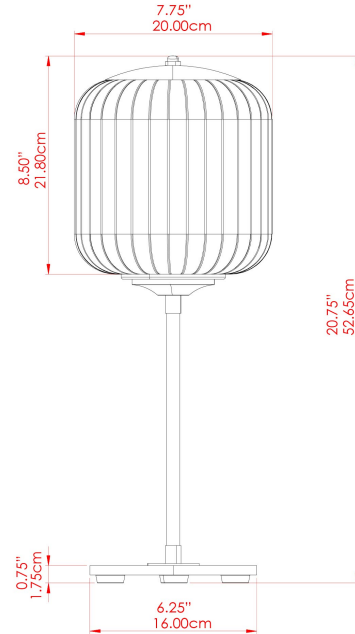


Product Notes:  
 1) Bulbs not included. 2) Dimensions do not include bulbs. 3) All products are individually made-to-order and therefore may differ slightly within manufacturing tolerances. 4) Cable / chain can be shortened during installation. Longer cable / chain lengths available on request. 5) Additional colour finishes may be available on request. 6) Refer to our website for a full list of terms and conditions.



# ASTORIA Table Lamp

MLTL077ANTSLVPCWTE Antique Silver



MATERIAL	Brass   Glass   Steel
HEIGHT	52cm
WIDTH   DIAMETER	20cm
LENGTH   PROJECTION	n/a
WEIGHT	2.9 kg
LAMPHOLDER	E27
MAX WATTAGE	40W
VOLTAGE	220/240v
IP RATING	IP20
CLASS PROTECTION	Class II
SHADE	GL193
FLEX   BAR   CHAIN LENGTH	150cm
CABLE TYPE	MLCA028   Black Fabric Braided Cable   2 Core Round

FIXING BRACKET: -

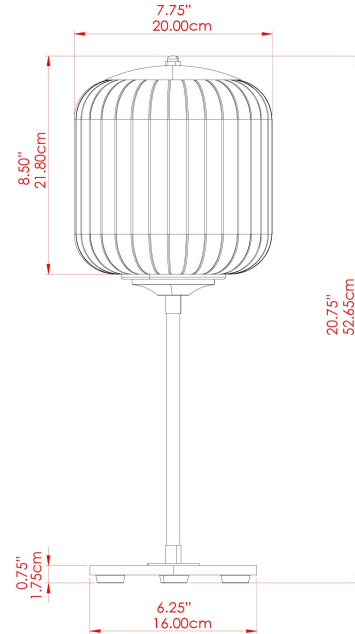


Product Notes:  
 1) Bulbs not included. 2) Dimensions do not include bulbs. 3) All products are individually made-to-order and therefore may differ slightly within manufacturing tolerances. 4) Cable / chain can be shortened during installation. Longer cable / chain lengths available on request. 5) Additional colour finishes may be available on request. 6) Refer to our website for a full list of terms and conditions.



# ASTORIA Table Lamp

MLTL077ANTSLVPCWTEOP Antique Silver



MATERIAL	Brass   Glass   Steel
HEIGHT	52cm
WIDTH   DIAMETER	20cm
LENGTH   PROJECTION	n/a
WEIGHT	2.9 kg
LAMPHOLDER	E27
MAX WATTAGE	40W
VOLTAGE	220/240v
IP RATING	IP20
CLASS PROTECTION	Class II
SHADE	GL204
FLEX   BAR   CHAIN LENGTH	150cm
CABLE TYPE	MLCA028   Black Fabric Braided Cable   2 Core Round

FIXING BRACKET: -

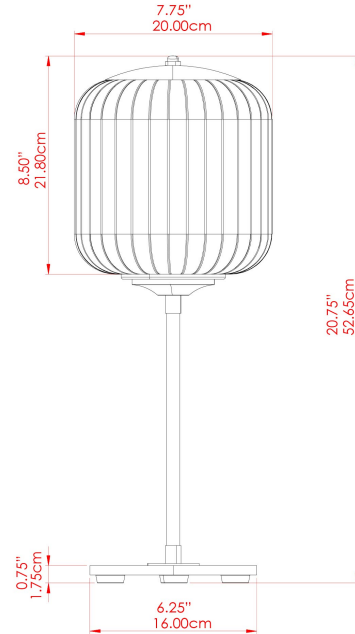


Product Notes:  
 1) Bulbs not included. 2) Dimensions do not include bulbs. 3) All products are individually made-to-order and therefore may differ slightly within manufacturing tolerances. 4) Cable / chain can be shortened during installation. Longer cable / chain lengths available on request. 5) Additional colour finishes may be available on request. 6) Refer to our website for a full list of terms and conditions.



# ASTORIA Table Lamp

MLTL077POLBRSPCMBK Polished Brass



MATERIAL	Brass   Glass   Steel
HEIGHT	52cm
WIDTH   DIAMETER	20cm
LENGTH   PROJECTION	n/a
WEIGHT	2.9 kg
LAMPHOLDER	E27
MAX WATTAGE	40W
VOLTAGE	220/240v
IP RATING	IP20
CLASS PROTECTION	Class II
SHADE	GL193
FLEX   BAR   CHAIN LENGTH	150cm
CABLE TYPE	MLCA028   Black Fabric Braided Cable   2 Core Round

FIXING BRACKET: -

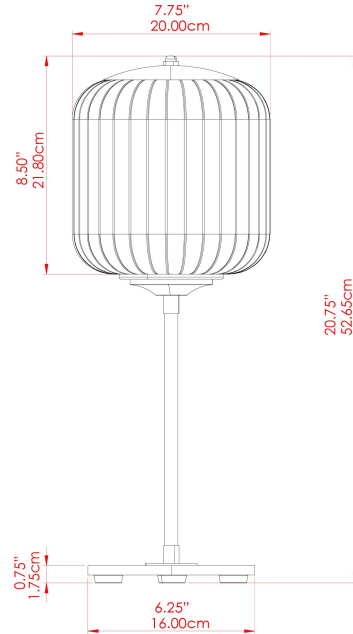


Product Notes:  
 1) Bulbs not included. 2) Dimensions do not include bulbs. 3) All products are individually made-to-order and therefore may differ slightly within manufacturing tolerances. 4) Cable / chain can be shortened during installation. Longer cable / chain lengths available on request. 5) Additional colour finishes may be available on request. 6) Refer to our website for a full list of terms and conditions.



# ASTORIA Table Lamp

MLTL077POLBRSPCMBKOP Polished Brass



MATERIAL	Brass   Glass   Steel
HEIGHT	52cm
WIDTH   DIAMETER	20cm
LENGTH   PROJECTION	n/a
WEIGHT	2.9 kg
LAMPHOLDER	E27
MAX WATTAGE	40W
VOLTAGE	220/240v
IP RATING	IP20
CLASS PROTECTION	Class II
SHADE	GL204
FLEX   BAR   CHAIN LENGTH	150cm
CABLE TYPE	MLCA028   Black Fabric Braided Cable   2 Core Round

FIXING BRACKET: -

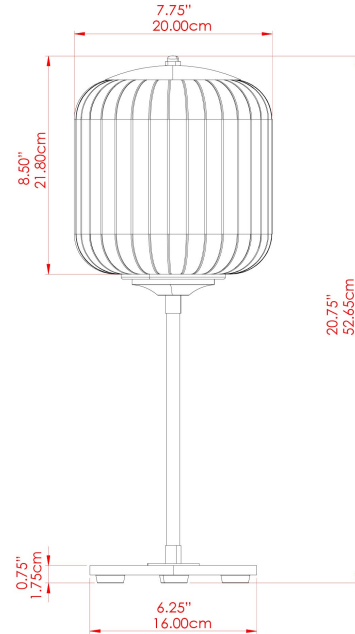


Product Notes:  
 1) Bulbs not included. 2) Dimensions do not include bulbs. 3) All products are individually made-to-order and therefore may differ slightly within manufacturing tolerances. 4) Cable / chain can be shortened during installation. Longer cable / chain lengths available on request. 5) Additional colour finishes may be available on request. 6) Refer to our website for a full list of terms and conditions.



# ASTORIA Table Lamp

MLTL077POLBRSPCWTE Polished Brass



MATERIAL	Brass   Glass   Steel
HEIGHT	52cm
WIDTH   DIAMETER	20cm
LENGTH   PROJECTION	n/a
WEIGHT	2.9 kg
LAMPHOLDER	E27
MAX WATTAGE	40W
VOLTAGE	220/240v
IP RATING	IP20
CLASS PROTECTION	Class II
SHADE	GL193
FLEX   BAR   CHAIN LENGTH	150cm
CABLE TYPE	MLCA028   Black Fabric Braided Cable   2 Core Round

FIXING BRACKET: -

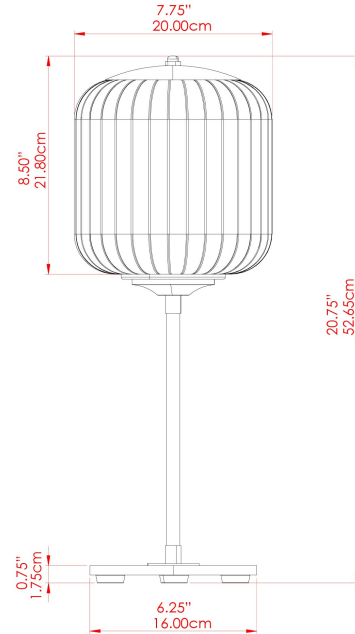


Product Notes:  
 1) Bulbs not included. 2) Dimensions do not include bulbs. 3) All products are individually made-to-order and therefore may differ slightly within manufacturing tolerances. 4) Cable / chain can be shortened during installation. Longer cable / chain lengths available on request. 5) Additional colour finishes may be available on request. 6) Refer to our website for a full list of terms and conditions.



# ASTORIA Table Lamp

MLTL077POLBRSPCWTEOP Polished Brass



MATERIAL	Brass   Glass   Steel
HEIGHT	52cm
WIDTH   DIAMETER	20cm
LENGTH   PROJECTION	n/a
WEIGHT	2.9 kg
LAMPHOLDER	E27
MAX WATTAGE	40W
VOLTAGE	220/240v
IP RATING	IP20
CLASS PROTECTION	Class II
SHADE	GL204
FLEX   BAR   CHAIN LENGTH	150cm
CABLE TYPE	MLCA028   Black Fabric Braided Cable   2 Core Round

FIXING BRACKET: -

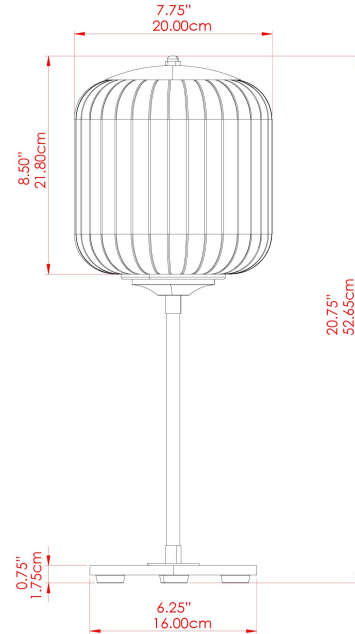


Product Notes:  
 1) Bulbs not included. 2) Dimensions do not include bulbs. 3) All products are individually made-to-order and therefore may differ slightly within manufacturing tolerances. 4) Cable / chain can be shortened during installation. Longer cable / chain lengths available on request. 5) Additional colour finishes may be available on request. 6) Refer to our website for a full list of terms and conditions.



# ASTORIA Table Lamp

MLTL077SATBRSPCMBK Satin Brass



MATERIAL	Brass   Glass   Steel
HEIGHT	52cm
WIDTH   DIAMETER	20cm
LENGTH   PROJECTION	n/a
WEIGHT	2.9 kg
LAMPHOLDER	E27
MAX WATTAGE	40W
VOLTAGE	220/240v
IP RATING	IP20
CLASS PROTECTION	Class II
SHADE	GL193
FLEX   BAR   CHAIN LENGTH	150cm
CABLE TYPE	MLCA028   Black Fabric Braided Cable   2 Core Round

FIXING BRACKET: -

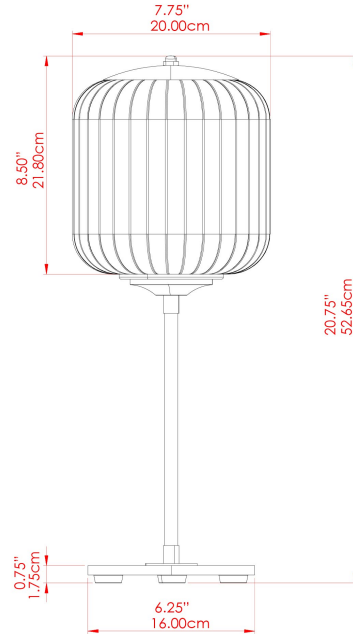


Product Notes:  
 1) Bulbs not included. 2) Dimensions do not include bulbs. 3) All products are individually made-to-order and therefore may differ slightly within manufacturing tolerances. 4) Cable / chain can be shortened during installation. Longer cable / chain lengths available on request. 5) Additional colour finishes may be available on request. 6) Refer to our website for a full list of terms and conditions.



# ASTORIA Table Lamp

MLTL077SATBRSPCMBKOP Satin Brass



MATERIAL	Brass   Glass   Steel
HEIGHT	52cm
WIDTH   DIAMETER	20cm
LENGTH   PROJECTION	n/a
WEIGHT	2.9 kg
LAMPHOLDER	E27
MAX WATTAGE	40W
VOLTAGE	220/240v
IP RATING	IP20
CLASS PROTECTION	Class II
SHADE	GL204
FLEX   BAR   CHAIN LENGTH	150cm
CABLE TYPE	MLCA028   Black Fabric Braided Cable   2 Core Round

FIXING BRACKET: -



WWW.MULLANLIGHTING.COM

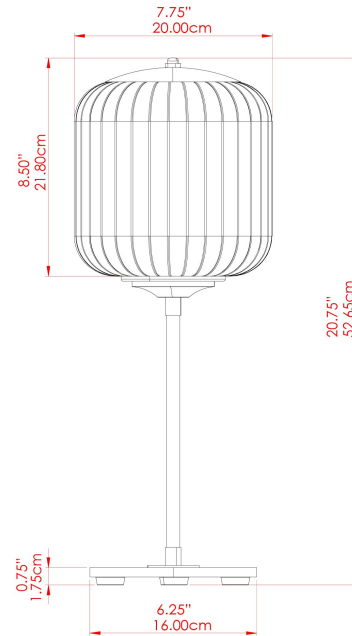
**Product Notes:**

1) Bulbs not included. 2) Dimensions do not include bulbs. 3) All products are individually made-to-order and therefore may differ slightly within manufacturing tolerances. 4) Cable / chain can be shortened during installation. Longer cable / chain lengths available on request. 5) Additional colour finishes may be available on request. 6) Refer to our website for a full list of terms and conditions.



# ASTORIA Table Lamp

MLTL077SATBRSPCWTE Satin Brass



MATERIAL	Brass   Glass   Steel
HEIGHT	52cm
WIDTH   DIAMETER	20cm
LENGTH   PROJECTION	n/a
WEIGHT	2.9 kg
LAMPHOLDER	E27
MAX WATTAGE	40W
VOLTAGE	220/240v
IP RATING	IP20
CLASS PROTECTION	Class II
SHADE	GL193
FLEX   BAR   CHAIN LENGTH	150cm
CABLE TYPE	MLCA028   Black Fabric Braided Cable   2 Core Round

FIXING BRACKET: -



WWW.MULLANLIGHTING.COM

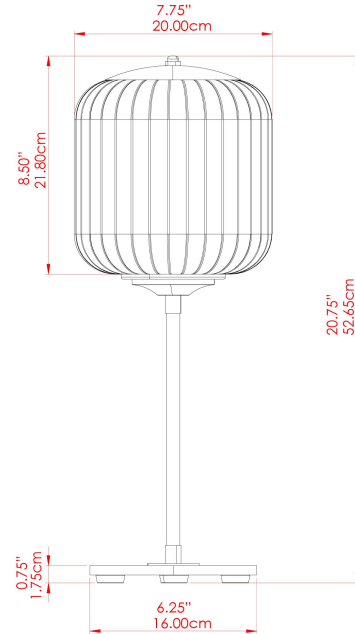
**Product Notes:**

1) Bulbs not included. 2) Dimensions do not include bulbs. 3) All products are individually made-to-order and therefore may differ slightly within manufacturing tolerances. 4) Cable / chain can be shortened during installation. Longer cable / chain lengths available on request. 5) Additional colour finishes may be available on request. 6) Refer to our website for a full list of terms and conditions.



# ASTORIA Table Lamp

MLTL077SATBRSPCWTEOP Satin Brass



MATERIAL	Brass   Glass   Steel
HEIGHT	52cm
WIDTH   DIAMETER	20cm
LENGTH   PROJECTION	n/a
WEIGHT	2.9 kg
LAMPHOLDER	E27
MAX WATTAGE	40W
VOLTAGE	220/240v
IP RATING	IP20
CLASS PROTECTION	Class II
SHADE	GL204
FLEX   BAR   CHAIN LENGTH	150cm
CABLE TYPE	MLCA028   Black Fabric Braided Cable   2 Core Round

FIXING BRACKET: -



Product Notes:  
 1) Bulbs not included. 2) Dimensions do not include bulbs. 3) All products are individually made-to-order and therefore may differ slightly within manufacturing tolerances. 4) Cable / chain can be shortened during installation. Longer cable / chain lengths available on request. 5) Additional colour finishes may be available on request. 6) Refer to our website for a full list of terms and conditions.

