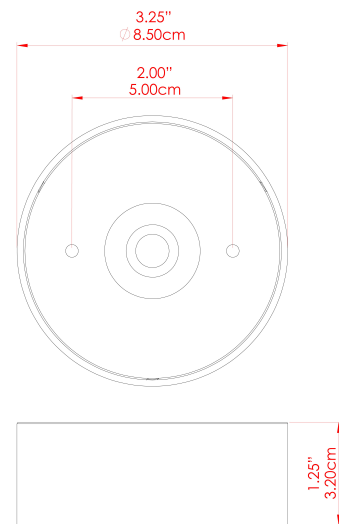
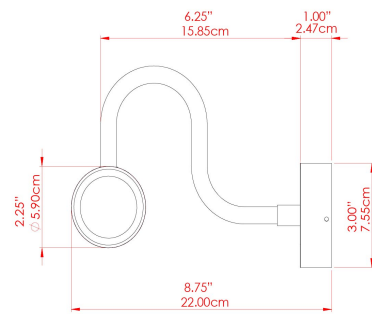
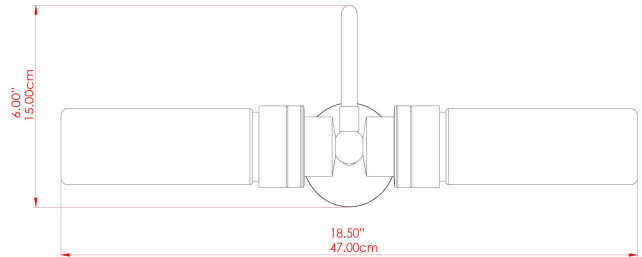


MATERIAL	Brass Glass
HEIGHT	15cm
WIDTH DIAMETER	47cm
LENGTH PROJECTION	22cm
WEIGHT	1.4 kg
LAMPHOLDER	E27
MAX WATTAGE	6.5W
VOLTAGE	220/240v
IP RATING	IP65
CLASS PROTECTION	Class I
SHADE	GL189
FLEX BAR CHAIN LENGTH	n/a
CABLE TYPE	-

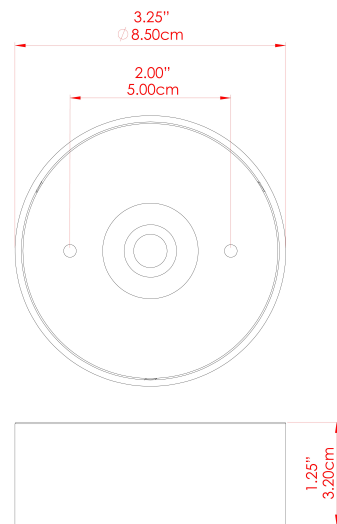
FIXING BRACKET: MLWB13 | Antique Brass

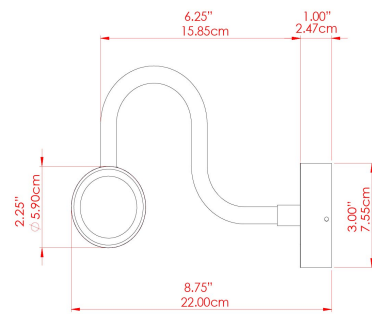
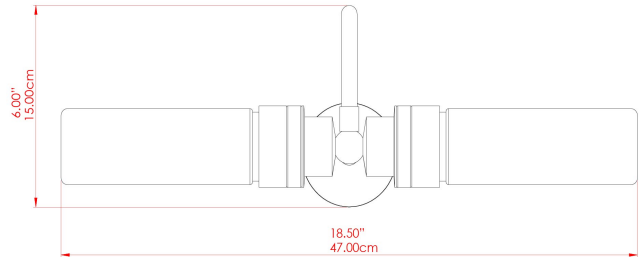




MATERIAL	Brass
HEIGHT	23cm
WIDTH DIAMETER	30cm
LENGTH PROJECTION	18cm
WEIGHT	1.4 kg
LAMPHOLDER	E27
MAX WATTAGE	6.5W
VOLTAGE	220/240v
IP RATING	IP65
CLASS PROTECTION	Class I
SHADE	-
FLEX BAR CHAIN LENGTH	n/a
CABLE TYPE	

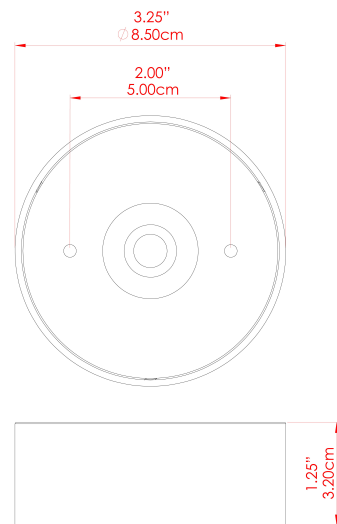
FIXING BRACKET: MLWB13 | Antique Brass





MATERIAL	Brass Glass
HEIGHT	15cm
WIDTH DIAMETER	47cm
LENGTH PROJECTION	22cm
WEIGHT	1.4 kg
LAMPHOLDER	E27
MAX WATTAGE	6.5W
VOLTAGE	220/240v
IP RATING	IP65
CLASS PROTECTION	Class I
SHADE	GL191
FLEX BAR CHAIN LENGTH	n/a
CABLE TYPE	-

FIXING BRACKET: MLWB13 | Antique Brass

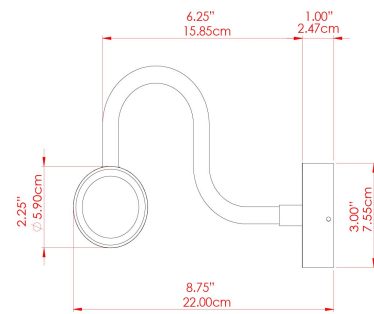
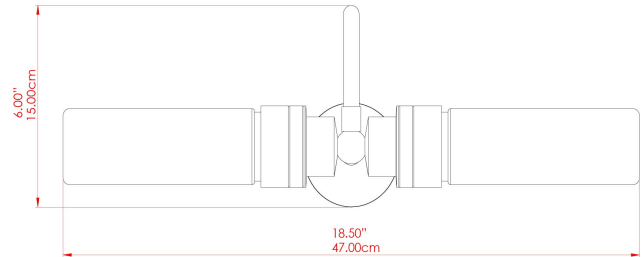


WWW.MULLANLIGHTING.COM

Product Notes:

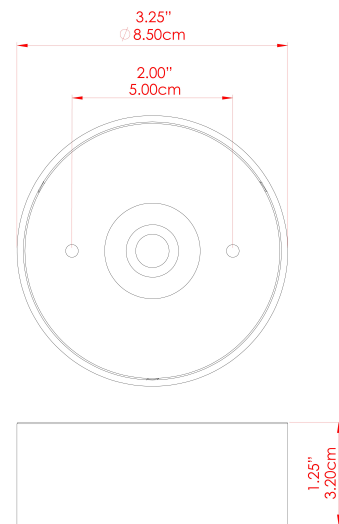
1) Bulbs not included. 2) Dimensions do not include bulbs. 3) All products are individually made-to-order and therefore may differ slightly within manufacturing tolerances. 4) Cable / chain can be shortened during installation. Longer cable / chain lengths available on request. 5) Additional colour finishes may be available on request. 6) Refer to our website for a full list of terms and conditions.

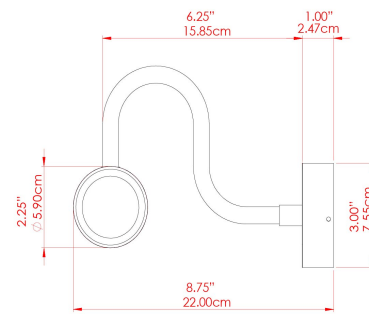
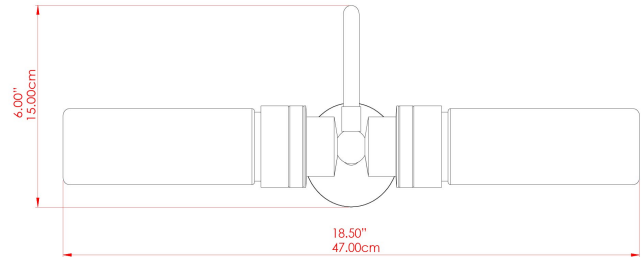




MATERIAL	Brass Glass
HEIGHT	15cm
WIDTH DIAMETER	47cm
LENGTH PROJECTION	22cm
WEIGHT	1.4 kg
LAMPHOLDER	E27
MAX WATTAGE	6.5W
VOLTAGE	220/240v
IP RATING	IP65
CLASS PROTECTION	Class I
SHADE	GL189
FLEX BAR CHAIN LENGTH	n/a
CABLE TYPE	-

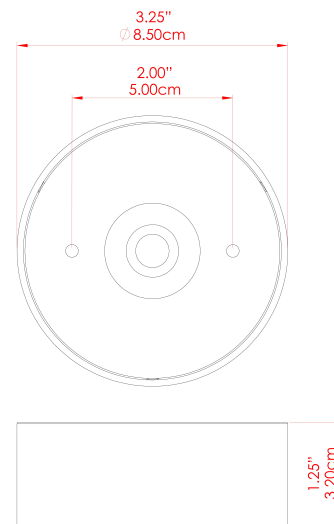
FIXING BRACKET: MLWB13 | Antique Silver





MATERIAL	Brass
HEIGHT	23cm
WIDTH DIAMETER	30cm
LENGTH PROJECTION	18cm
WEIGHT	1.4 kg
LAMPHOLDER	E27
MAX WATTAGE	6.5W
VOLTAGE	220/240v
IP RATING	IP65
CLASS PROTECTION	Class I
SHADE	-
FLEX BAR CHAIN LENGTH	n/a
CABLE TYPE	

FIXING BRACKET: MLWB13 | Antique Silver

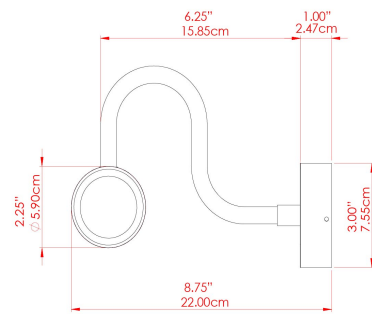
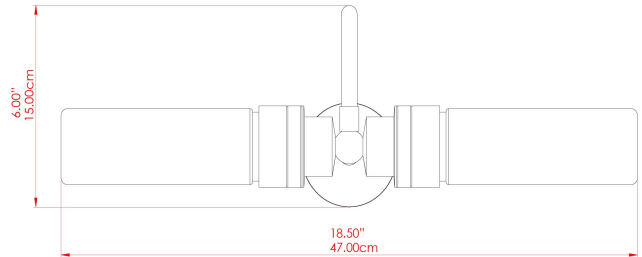


WWW.MULLANLIGHTING.COM

Product Notes:

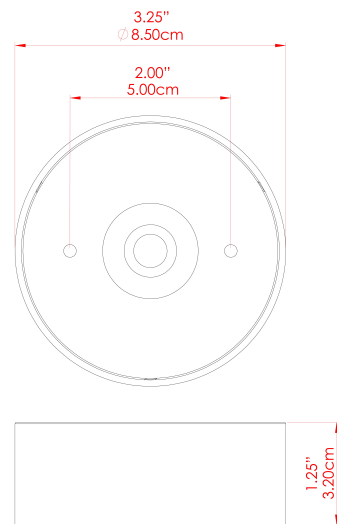
1) Bulbs not included. 2) Dimensions do not include bulbs. 3) All products are individually made-to-order and therefore may differ slightly within manufacturing tolerances. 4) Cable / chain can be shortened during installation. Longer cable / chain lengths available on request. 5) Additional colour finishes may be available on request. 6) Refer to our website for a full list of terms and conditions.

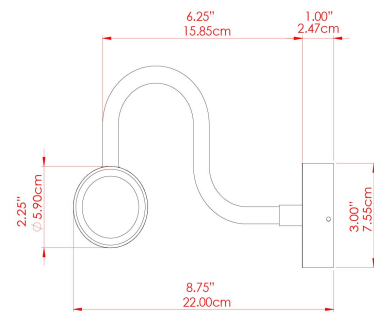
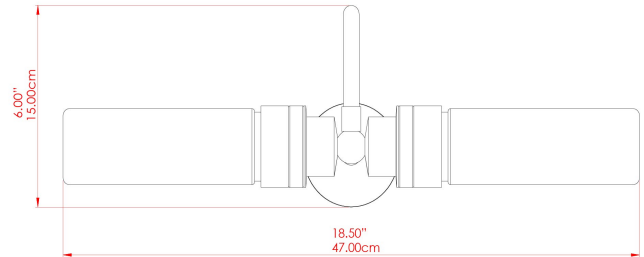




MATERIAL	Brass Glass
HEIGHT	15cm
WIDTH DIAMETER	47cm
LENGTH PROJECTION	22cm
WEIGHT	1.4 kg
LAMPHOLDER	E27
MAX WATTAGE	6.5W
VOLTAGE	220/240v
IP RATING	IP65
CLASS PROTECTION	Class I
SHADE	GL191
FLEX BAR CHAIN LENGTH	n/a
CABLE TYPE	-

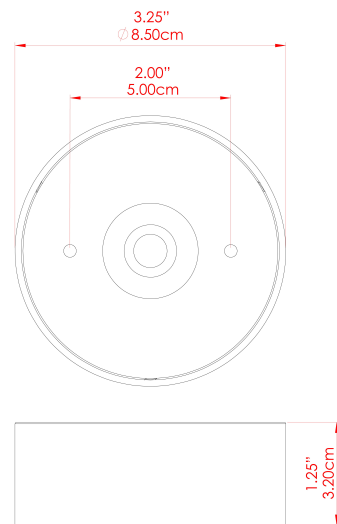
FIXING BRACKET: MLWB13 | Antique Silver

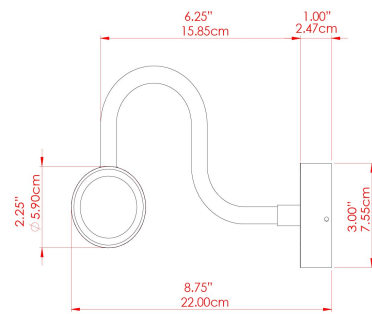
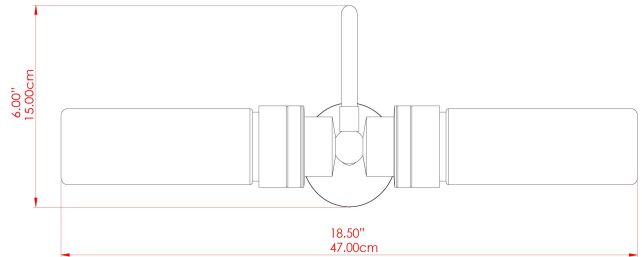




MATERIAL	Brass Glass
HEIGHT	15cm
WIDTH DIAMETER	47cm
LENGTH PROJECTION	22cm
WEIGHT	1.4 kg
LAMPHOLDER	E27
MAX WATTAGE	6.5W
VOLTAGE	220/240v
IP RATING	IP65
CLASS PROTECTION	Class I
SHADE	GL189
FLEX BAR CHAIN LENGTH	n/a
CABLE TYPE	-

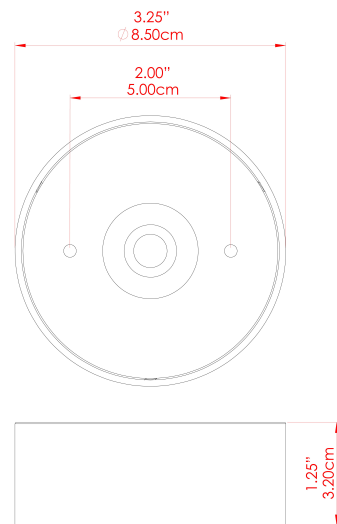
FIXING BRACKET: MLWB13 | Matt Black

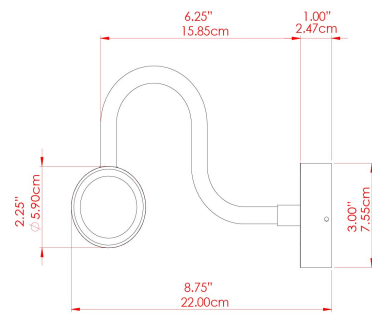
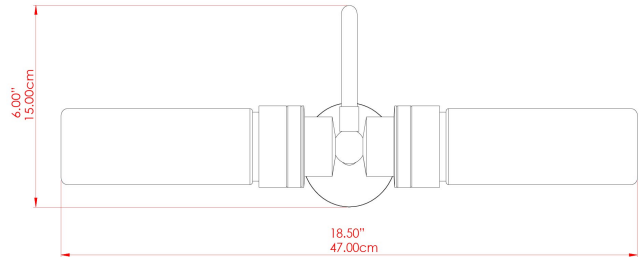




MATERIAL	Brass
HEIGHT	23cm
WIDTH DIAMETER	30cm
LENGTH PROJECTION	18cm
WEIGHT	1.4 kg
LAMPHOLDER	E27
MAX WATTAGE	6.5W
VOLTAGE	220/240v
IP RATING	IP65
CLASS PROTECTION	Class I
SHADE	-
FLEX BAR CHAIN LENGTH	n/a
CABLE TYPE	

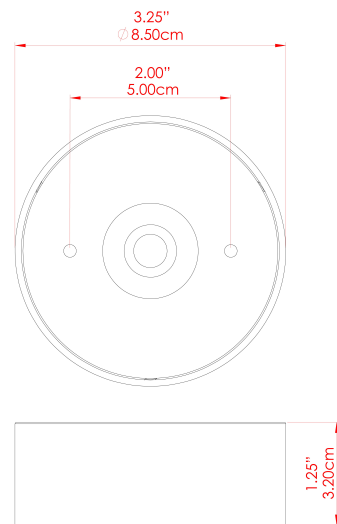
FIXING BRACKET: MLWB13 | Matt Black

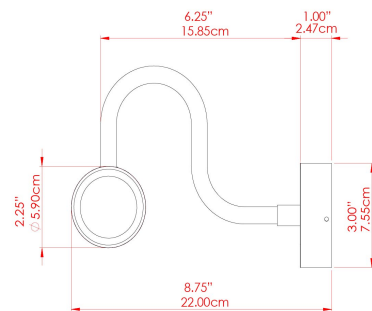
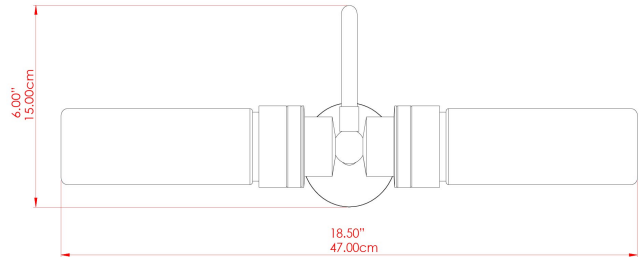




MATERIAL	Brass Glass
HEIGHT	15cm
WIDTH DIAMETER	47cm
LENGTH PROJECTION	22cm
WEIGHT	1.4 kg
LAMPHOLDER	E27
MAX WATTAGE	6.5W
VOLTAGE	220/240v
IP RATING	IP65
CLASS PROTECTION	Class I
SHADE	GL191
FLEX BAR CHAIN LENGTH	n/a
CABLE TYPE	-

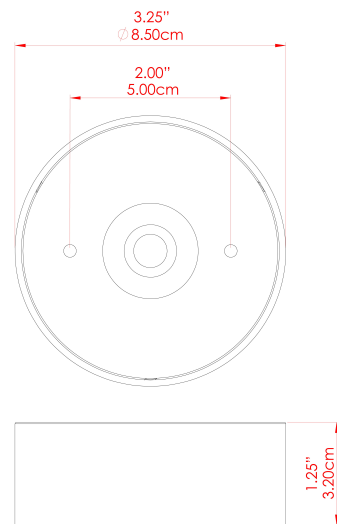
FIXING BRACKET: MLWB13 | Matt Black

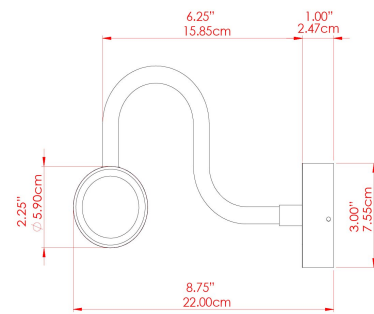
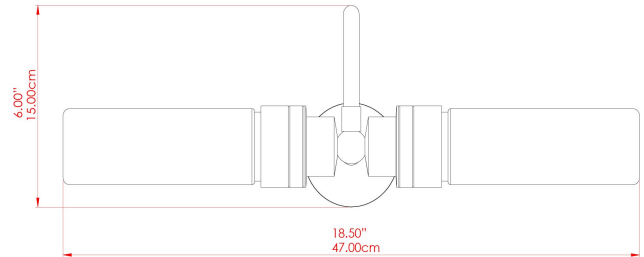




MATERIAL	Brass Glass
HEIGHT	15cm
WIDTH DIAMETER	47cm
LENGTH PROJECTION	22cm
WEIGHT	1.4 kg
LAMPHOLDER	E27
MAX WATTAGE	6.5W
VOLTAGE	220/240v
IP RATING	IP65
CLASS PROTECTION	Class I
SHADE	GL189
FLEX BAR CHAIN LENGTH	n/a
CABLE TYPE	-

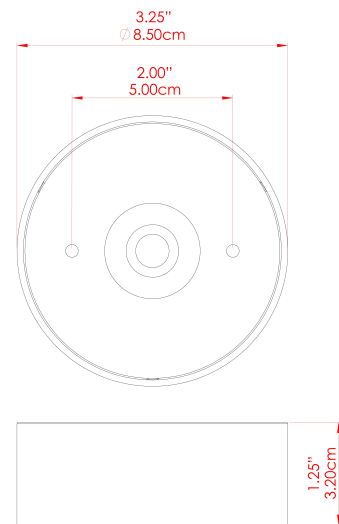
FIXING BRACKET: MLWB13 | Natural Brass

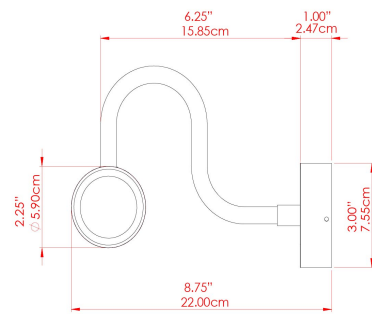
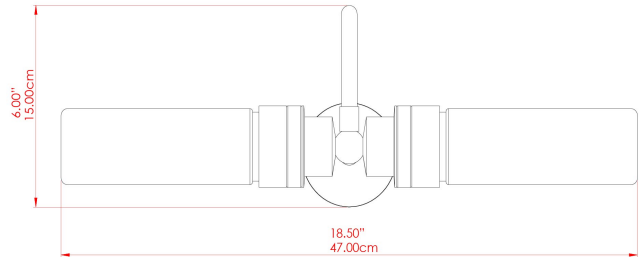




MATERIAL	Brass
HEIGHT	23cm
WIDTH DIAMETER	30cm
LENGTH PROJECTION	18cm
WEIGHT	1.4 kg
LAMPHOLDER	E27
MAX WATTAGE	6.5W
VOLTAGE	220/240v
IP RATING	IP65
CLASS PROTECTION	Class I
SHADE	-
FLEX BAR CHAIN LENGTH	n/a
CABLE TYPE	

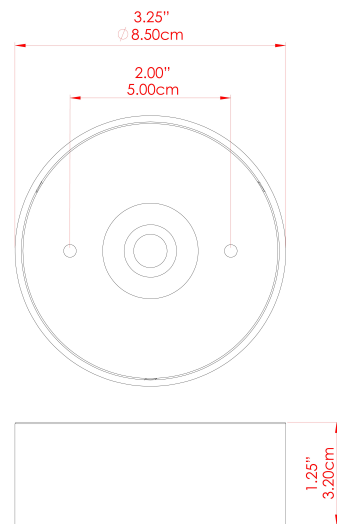
FIXING BRACKET: MLWB13 | Natural Brass

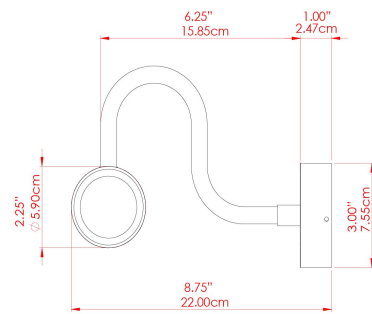
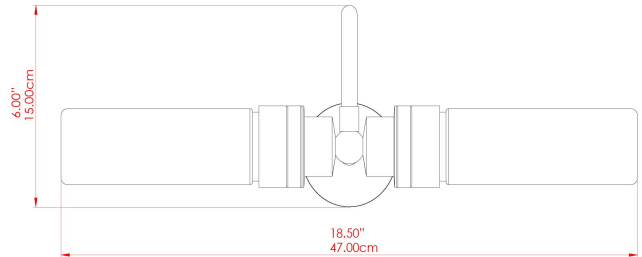




MATERIAL	Brass Glass
HEIGHT	15cm
WIDTH DIAMETER	47cm
LENGTH PROJECTION	22cm
WEIGHT	1.4 kg
LAMPHOLDER	E27
MAX WATTAGE	6.5W
VOLTAGE	220/240v
IP RATING	IP65
CLASS PROTECTION	Class I
SHADE	GL191
FLEX BAR CHAIN LENGTH	n/a
CABLE TYPE	-

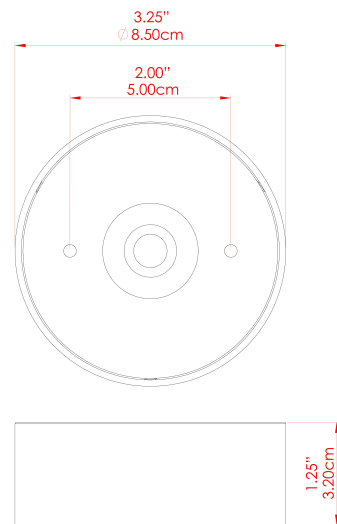
FIXING BRACKET: MLWB13 | Natural Brass

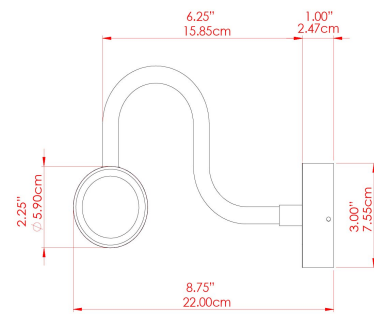
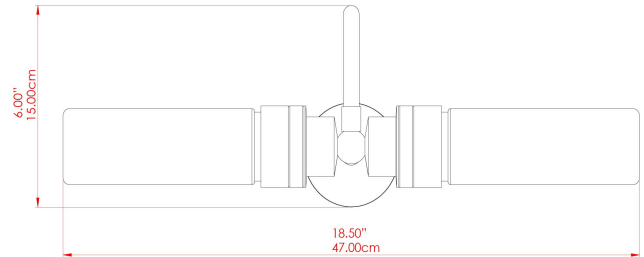




MATERIAL	Brass Glass
HEIGHT	15cm
WIDTH DIAMETER	47cm
LENGTH PROJECTION	22cm
WEIGHT	1.4 kg
LAMPHOLDER	E27
MAX WATTAGE	6.5W
VOLTAGE	220/240v
IP RATING	IP65
CLASS PROTECTION	Class I
SHADE	GL189
FLEX BAR CHAIN LENGTH	n/a
CABLE TYPE	-

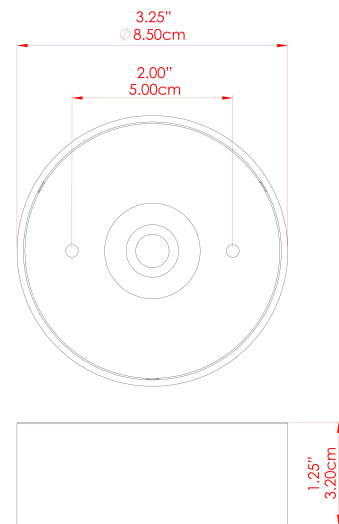
FIXING BRACKET: MLWB13 | Polished Brass

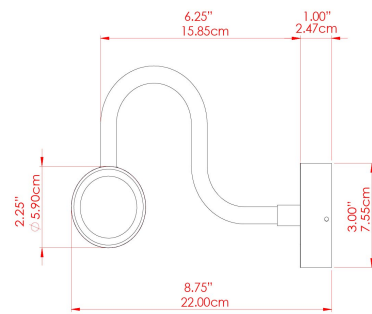
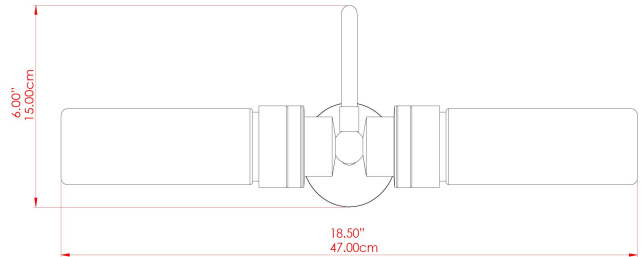




MATERIAL	Brass
HEIGHT	23cm
WIDTH DIAMETER	30cm
LENGTH PROJECTION	18cm
WEIGHT	1.4 kg
LAMPHOLDER	E27
MAX WATTAGE	6.5W
VOLTAGE	220/240v
IP RATING	IP65
CLASS PROTECTION	Class I
SHADE	-
FLEX BAR CHAIN LENGTH	n/a
CABLE TYPE	

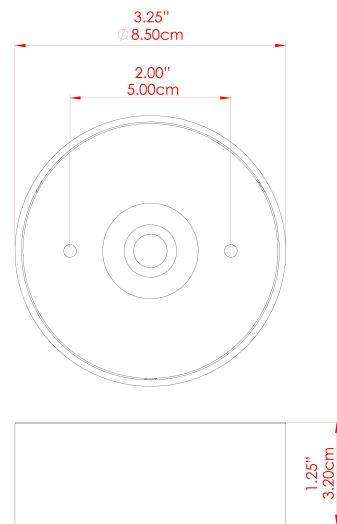
FIXING BRACKET: MLWB13 | Polished Brass

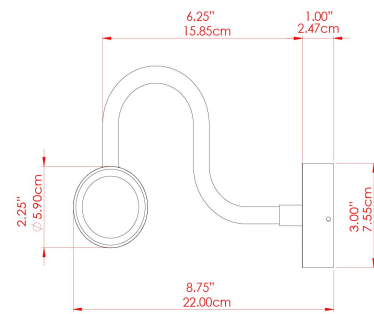
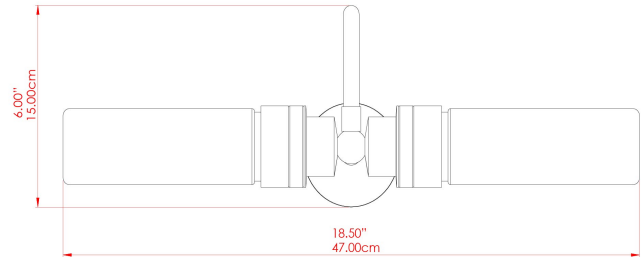




MATERIAL	Brass Glass
HEIGHT	15cm
WIDTH DIAMETER	47cm
LENGTH PROJECTION	22cm
WEIGHT	1.4 kg
LAMPHOLDER	E27
MAX WATTAGE	6.5W
VOLTAGE	220/240v
IP RATING	IP65
CLASS PROTECTION	Class I
SHADE	GL191
FLEX BAR CHAIN LENGTH	n/a
CABLE TYPE	-

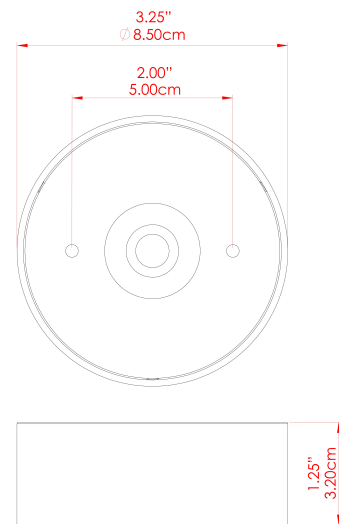
FIXING BRACKET: MLWB13 | Polished Brass

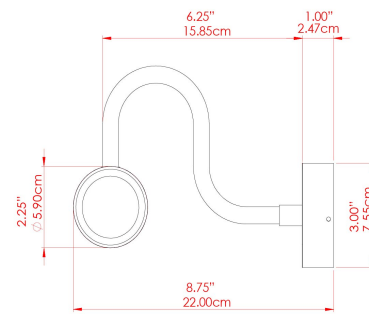
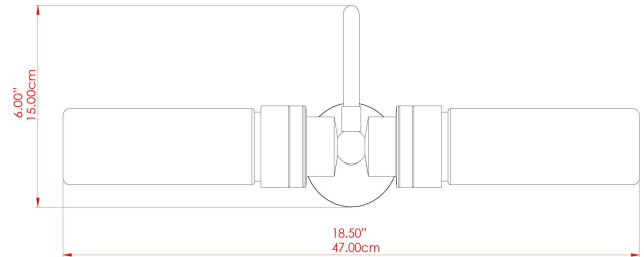




MATERIAL	Brass Glass
HEIGHT	15cm
WIDTH DIAMETER	47cm
LENGTH PROJECTION	22cm
WEIGHT	1.4 kg
LAMPHOLDER	E27
MAX WATTAGE	6.5W
VOLTAGE	220/240v
IP RATING	IP65
CLASS PROTECTION	Class I
SHADE	GL189
FLEX BAR CHAIN LENGTH	n/a
CABLE TYPE	-

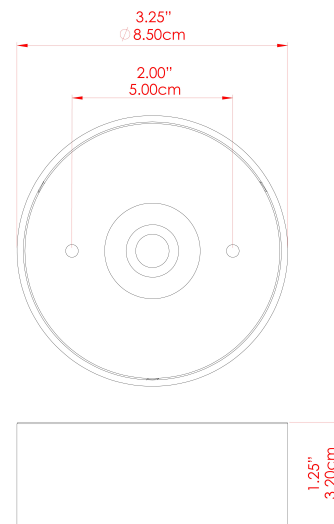
FIXING BRACKET: MLWB13 | Satin Brass

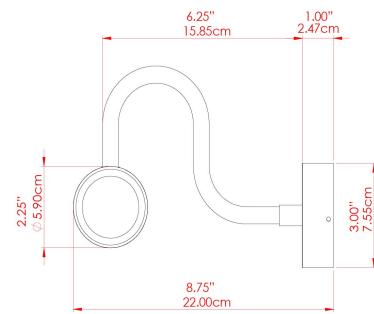
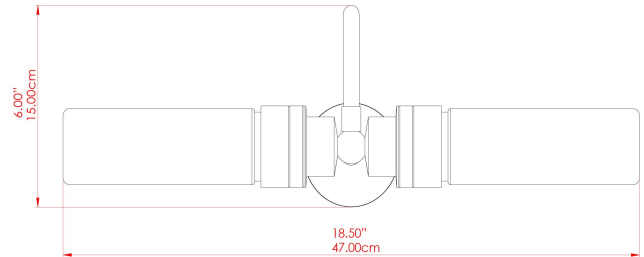




MATERIAL	Brass
HEIGHT	23cm
WIDTH DIAMETER	30cm
LENGTH PROJECTION	18cm
WEIGHT	1.4 kg
LAMPHOLDER	E27
MAX WATTAGE	6.5W
VOLTAGE	220/240v
IP RATING	IP65
CLASS PROTECTION	Class I
SHADE	-
FLEX BAR CHAIN LENGTH	n/a
CABLE TYPE	

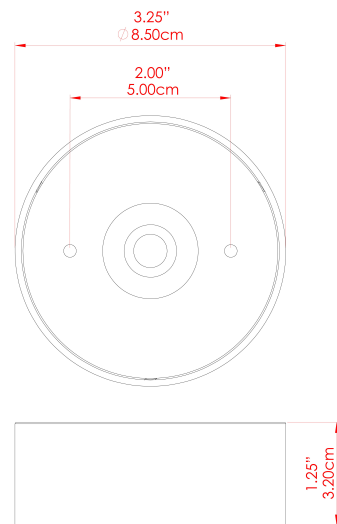
FIXING BRACKET: MLWB13 | Satin Brass

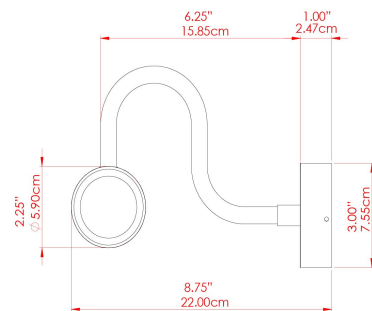
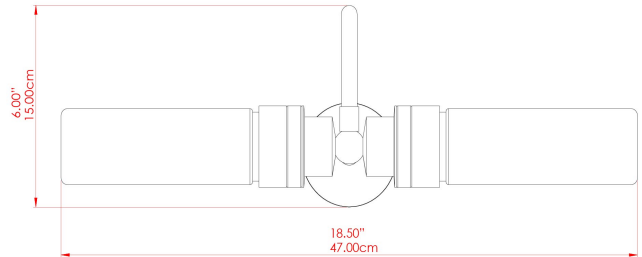




MATERIAL	Brass Glass
HEIGHT	15cm
WIDTH DIAMETER	47cm
LENGTH PROJECTION	22cm
WEIGHT	1.4 kg
LAMPHOLDER	E27
MAX WATTAGE	6.5W
VOLTAGE	220/240v
IP RATING	IP65
CLASS PROTECTION	Class I
SHADE	GL191
FLEX BAR CHAIN LENGTH	n/a
CABLE TYPE	-

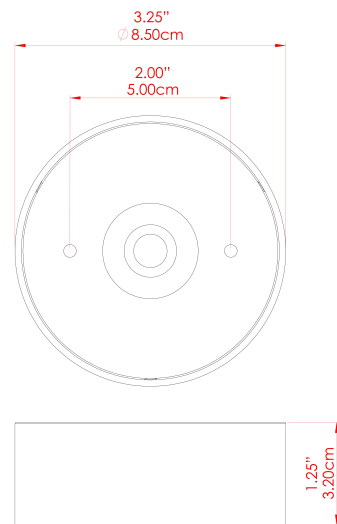
FIXING BRACKET: MLWB13 | Satin Brass

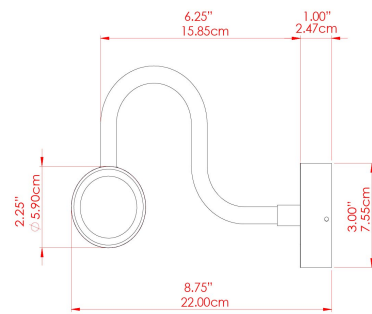
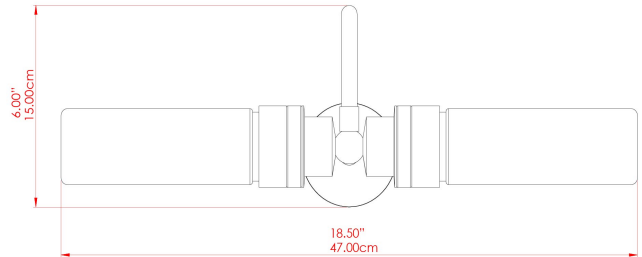




MATERIAL	Brass Glass
HEIGHT	11
WIDTH DIAMETER	47cm
LENGTH PROJECTION	22cm
WEIGHT	1.4 kg
LAMPHOLDER	E27
MAX WATTAGE	6.5W
VOLTAGE	220/240v
IP RATING	IP65
CLASS PROTECTION	Class I
SHADE	GL189
FLEX BAR CHAIN LENGTH	n/a
CABLE TYPE	-

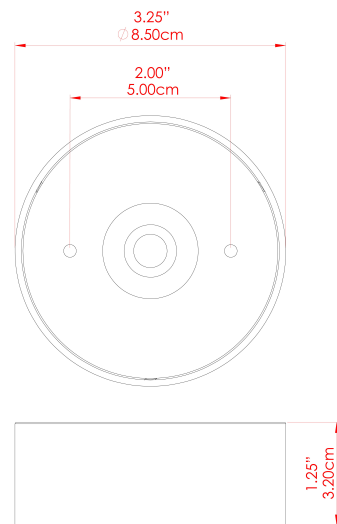
FIXING BRACKET: MLWB13 | White

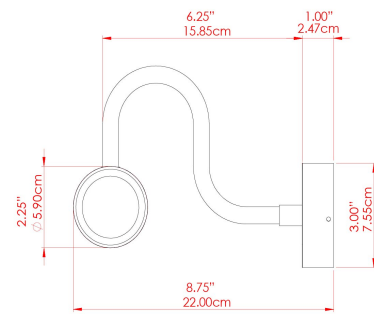
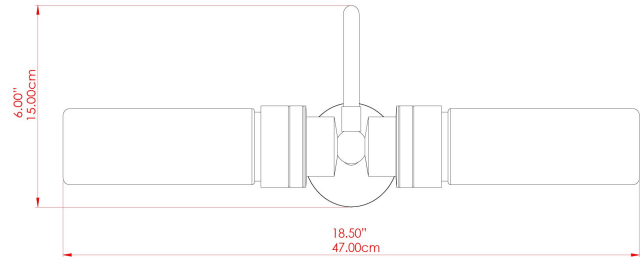




MATERIAL	Brass
HEIGHT	23cm
WIDTH DIAMETER	30cm
LENGTH PROJECTION	18cm
WEIGHT	1.4 kg
LAMPHOLDER	E27
MAX WATTAGE	6.5W
VOLTAGE	220/240v
IP RATING	IP65
CLASS PROTECTION	Class I
SHADE	-
FLEX BAR CHAIN LENGTH	n/a
CABLE TYPE	

FIXING BRACKET: MLWB13 | White





MATERIAL	Brass Glass
HEIGHT	15cm
WIDTH DIAMETER	47cm
LENGTH PROJECTION	22cm
WEIGHT	1.4 kg
LAMPHOLDER	E27
MAX WATTAGE	6.5W
VOLTAGE	220/240v
IP RATING	IP65
CLASS PROTECTION	Class I
SHADE	GL191
FLEX BAR CHAIN LENGTH	n/a
CABLE TYPE	-

FIXING BRACKET: MLWB13 | White

