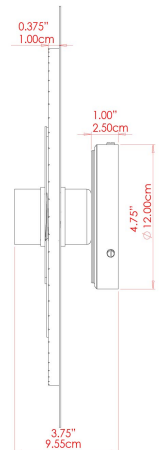
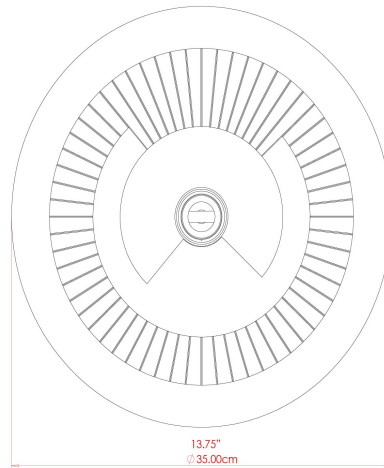


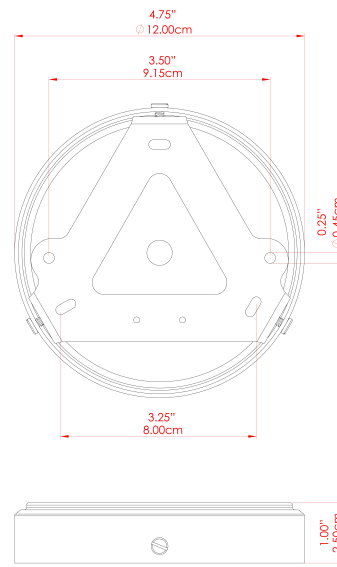
# SATURN Wall Light

## MLWL532ANTBRS Antique Brass



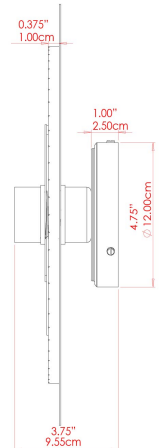
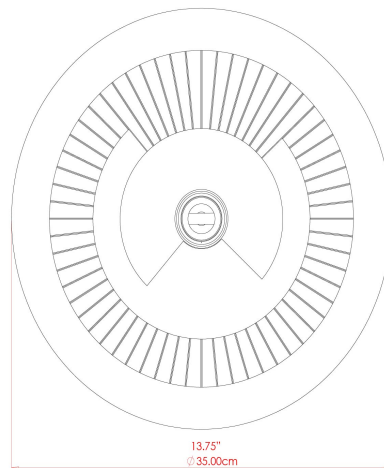
MATERIAL	Brass   Steel   Ceramic
HEIGHT	35cm
WIDTH   DIAMETER	35cm
LENGTH   PROJECTION	9.5cm
WEIGHT	3.5 kg
LAMPHOLDER	E27
MAX WATTAGE	40W
VOLTAGE	220/240v
IP RATING	IP20
CLASS PROTECTION	Class I
SHADE	MLCS077
FLEX   BAR   CHAIN LENGTH	n/a
CABLE TYPE	

### FIXING BRACKET: MLWB17



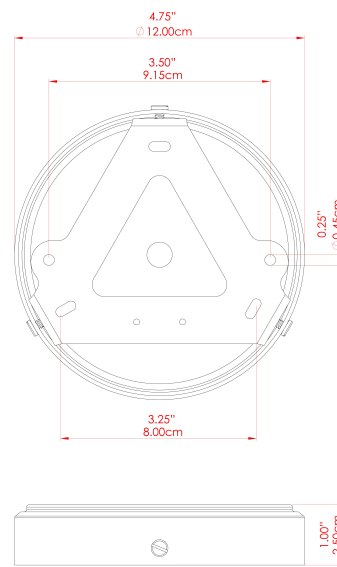
# SATURN Wall Light

## MLWL532ANTSLV Antique Silver



MATERIAL	Brass   Steel   Ceramic
HEIGHT	35cm
WIDTH   DIAMETER	35cm
LENGTH   PROJECTION	9.5cm
WEIGHT	3.5 kg
LAMPHOLDER	E27
MAX WATTAGE	40W
VOLTAGE	220/240v
IP RATING	IP20
CLASS PROTECTION	Class I
SHADE	MLCS077
FLEX   BAR   CHAIN LENGTH	n/a
CABLE TYPE	

### FIXING BRACKET: MLWB17



WWW.MULLANLIGHTING.COM

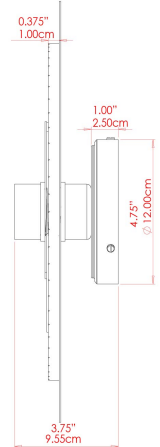
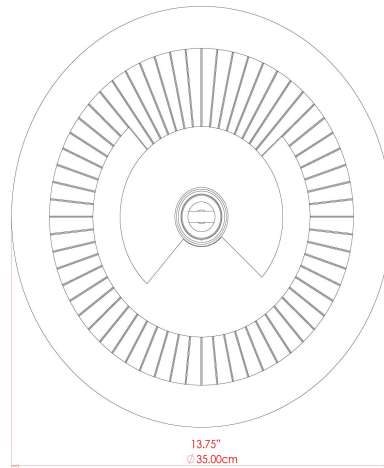
#### Product Notes:

1) Bulbs not included. 2) Dimensions do not include bulbs. 3) All products are individually made-to-order and therefore may differ slightly within manufacturing tolerances. 4) Cable / chain can be shortened during installation. Longer cable / chain lengths available on request. 5) Additional colour finishes may be available on request. 6) Refer to our website for a full list of terms and conditions.



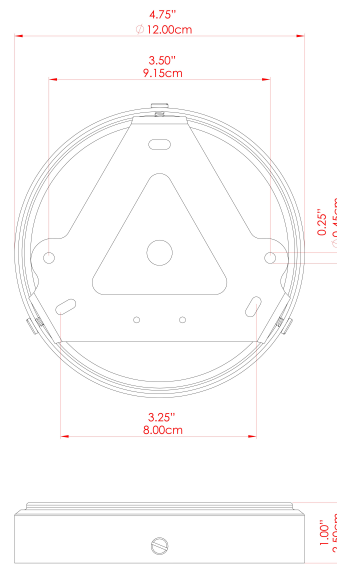
# SATURN Wall Light

MLWL532PCMBK Matt Black



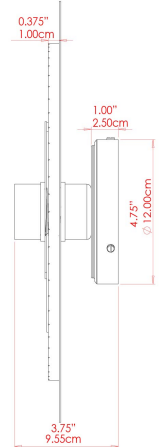
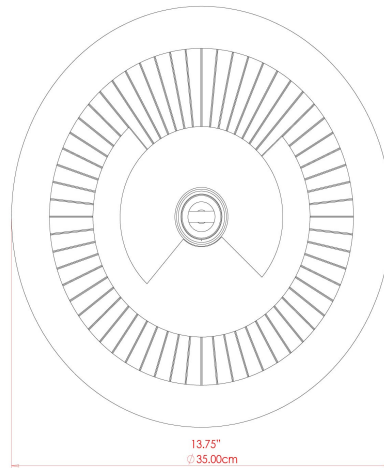
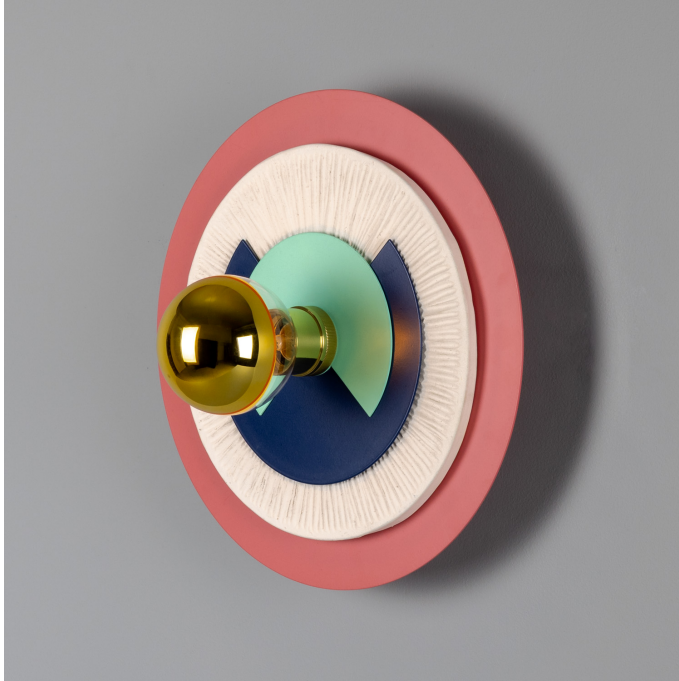
MATERIAL	Brass   Steel   Ceramic
HEIGHT	35cm
WIDTH   DIAMETER	35cm
LENGTH   PROJECTION	9.5cm
WEIGHT	3.5 kg
LAMPHOLDER	E27
MAX WATTAGE	40W
VOLTAGE	220/240v
IP RATING	IP20
CLASS PROTECTION	Class I
SHADE	MLCS077
FLEX   BAR   CHAIN LENGTH	n/a
CABLE TYPE	

### FIXING BRACKET: MLWB17



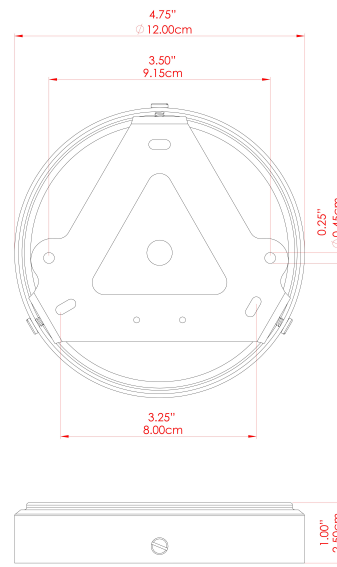
# SATURN Wall Light

MLWL532POLBRS Polished Brass



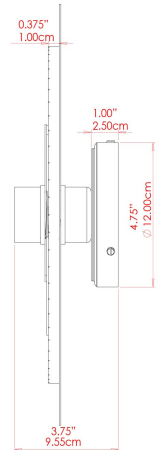
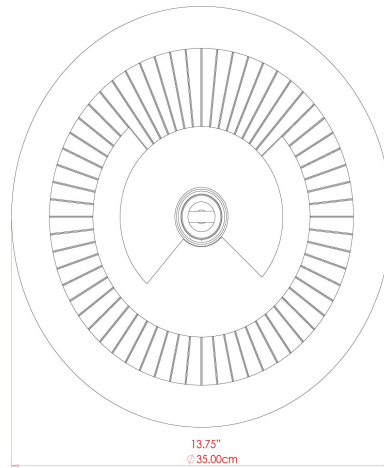
MATERIAL	Brass   Steel   Ceramic
HEIGHT	35cm
WIDTH   DIAMETER	35cm
LENGTH   PROJECTION	9.5cm
WEIGHT	3.5 kg
LAMPHOLDER	E27
MAX WATTAGE	40W
VOLTAGE	220/240v
IP RATING	IP20
CLASS PROTECTION	Class I
SHADE	MLCS077
FLEX   BAR   CHAIN LENGTH	n/a
CABLE TYPE	

## FIXING BRACKET: MLWB17



# SATURN Wall Light

MLWL532SATBRS Satin Brass



MATERIAL	Brass   Steel   Ceramic
HEIGHT	35cm
WIDTH   DIAMETER	35cm
LENGTH   PROJECTION	9.5cm
WEIGHT	3.5 kg
LAMPHOLDER	E27
MAX WATTAGE	40W
VOLTAGE	220/240v
IP RATING	IP20
CLASS PROTECTION	Class I
SHADE	MLCS077
FLEX   BAR   CHAIN LENGTH	n/a
CABLE TYPE	

### FIXING BRACKET: MLWB17

