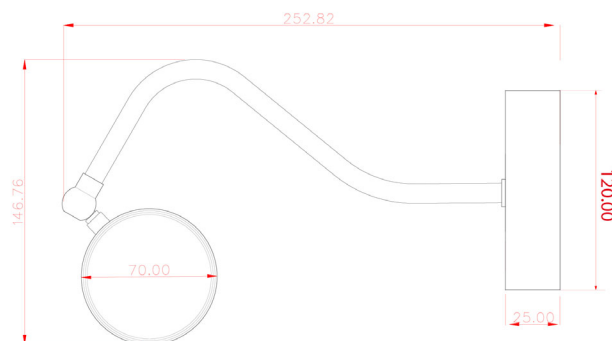


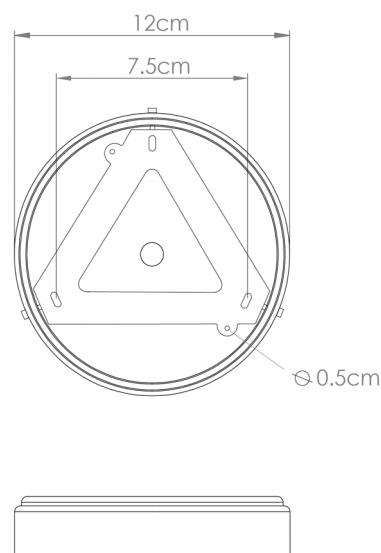
BELFAST Picture Light

MPL025ANTBRS Antique Brass



MATERIAL	Brass
HEIGHT	13cm 5.12"
WIDTH DIAMETER	50.5cm 19.88"
LENGTH PROJECTION	20cm 7.87"
WEIGHT	1.2KG 2.65lbs
LAMPHOLDER	G9 x 2
MAX WATTAGE	6.5W x 2
VOLTAGE	220/240v
IP RATING	20
CLASS PROTECTION	I
SHADE	
FLEX BAR CHAIN LENGT	n/a
CABLE TYPE	

Fixing Bracket MLWB17

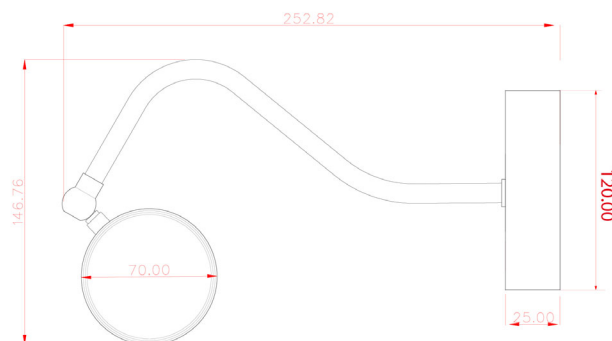


Product Notes:

1) Lamps not included with light fixture. 2) All products are individually hand crafted, therefore may differ slightly within manufacturing tolerances. 3) Please refer to: <http://www.mullanlighting.com/terms> for full list of Terms & Conditions. 4) Cable/Chain can be shortened during installation. 5) Longer Cable/Chain available on request. 6) Additional colour finishes available on request. 7.) Dimensions do not include lamps. 8.) Products wired to UL standards will operate at 110/120v with the appropriate lampholders.

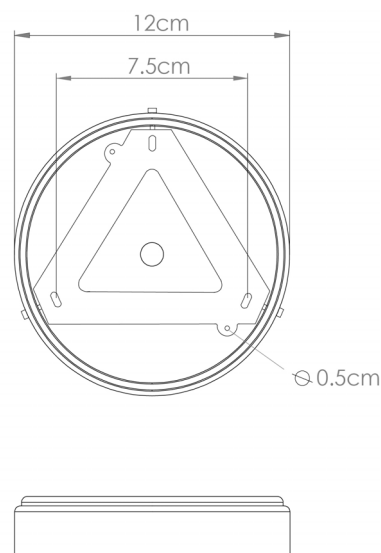
BELFAST Picture Light

MPL025ANTSLV Antique Silver



MATERIAL	Brass
HEIGHT	13cm 5.12"
WIDTH DIAMETER	50.5cm 19.88"
LENGTH PROJECTION	20cm 7.87"
WEIGHT	1.2KG 2.65lbs
LAMPHOLDER	G9 x 2
MAX WATTAGE	6.5W x 2
VOLTAGE	220/240v
IP RATING	20
CLASS PROTECTION	I
SHADE	
FLEX BAR CHAIN LENGT	n/a
CABLE TYPE	

Fixing Bracket MLWB17

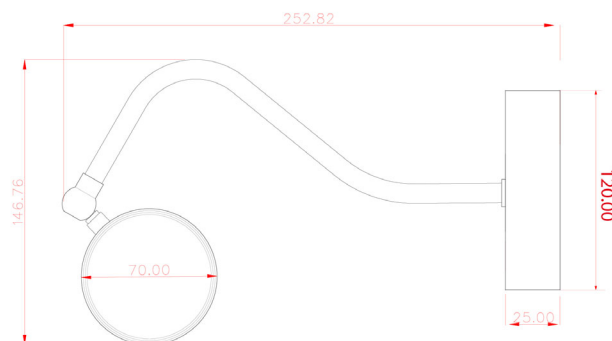


Product Notes:

1) Lamps not included with light fixture. 2) All products are individually hand crafted, therefore may differ slightly within manufacturing tolerances. 3) Please refer to: <http://www.mullanlighting.com/terms> for full list of Terms & Conditions. 4) Cable/Chain can be shortened during installation. 5) Longer Cable/Chain available on request. 6) Additional colour finishes available on request. 7.) Dimensions do not include lamps. 8.) Products wired to UL standards will operate at 110/120v with the appropriate lampholders.

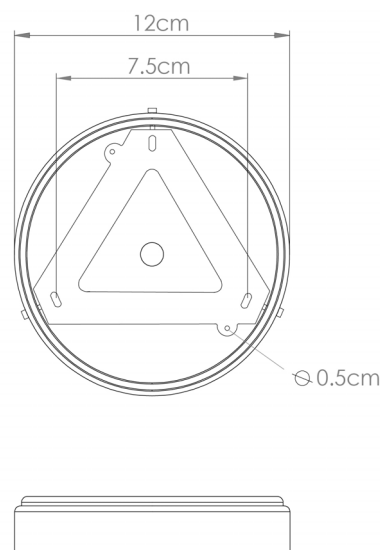
BELFAST Picture Light

MPL025PCBLK Black



MATERIAL	Brass
HEIGHT	13cm 5.12"
WIDTH DIAMETER	50.5cm 19.88"
LENGTH PROJECTION	20cm 7.87"
WEIGHT	1.2KG 2.65lbs
LAMPHOLDER	G9 x 2
MAX WATTAGE	6.5W x 2
VOLTAGE	220/240v
IP RATING	20
CLASS PROTECTION	I
SHADE	
FLEX BAR CHAIN LENGT	n/a
CABLE TYPE	

Fixing Bracket MLWB17

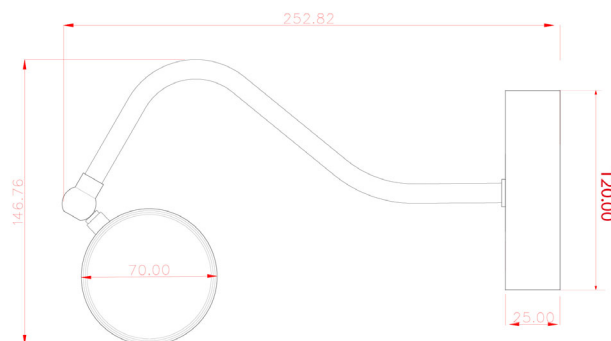


Product Notes:

1) Lamps not included with light fixture. 2) All products are individually hand crafted, therefore may differ slightly within manufacturing tolerances. 3) Please refer to: <http://www.mullanlighting.com/terms> for full list of Terms & Conditions. 4) Cable/Chain can be shortened during installation. 5) Longer Cable/Chain available on request. 6) Additional colour finishes available on request. 7.) Dimensions do not include lamps. 8.) Products wired to UL standards will operate at 110/120v with the appropriate lampholders.

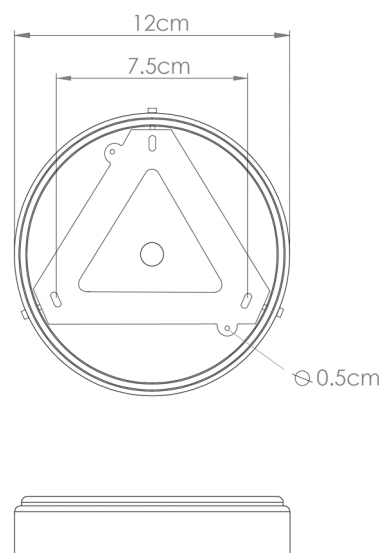
BELFAST Picture Light

MPL025PCMBK Matt Black



MATERIAL	Brass
HEIGHT	13cm 5.12"
WIDTH DIAMETER	50.5cm 19.88"
LENGTH PROJECTION	20cm 7.87"
WEIGHT	1.2KG 2.65lbs
LAMPHOLDER	G9 x 2
MAX WATTAGE	6.5W x 2
VOLTAGE	220/240v
IP RATING	20
CLASS PROTECTION	I
SHADE	
FLEX BAR CHAIN LENGT	n/a
CABLE TYPE	

Fixing Bracket MLWB17

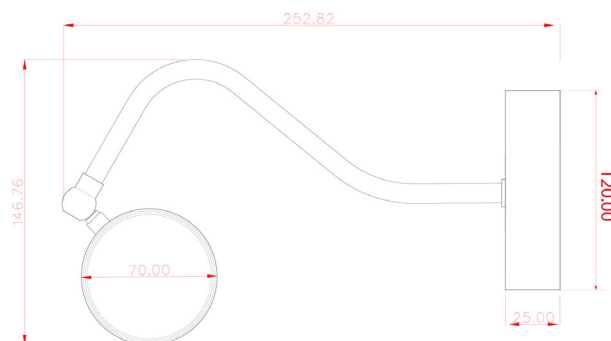


Product Notes:

1) Lamps not included with light fixture. 2) All products are individually hand crafted, therefore may differ slightly within manufacturing tolerances. 3) Please refer to: <http://www.mullanlighting.com/terms> for full list of Terms & Conditions. 4) Cable/Chain can be shortened during installation. 5) Longer Cable/Chain available on request. 6) Additional colour finishes available on request. 7.) Dimensions do not include lamps. 8.) Products wired to UL standards will operate at 110/120v with the appropriate lampholders.

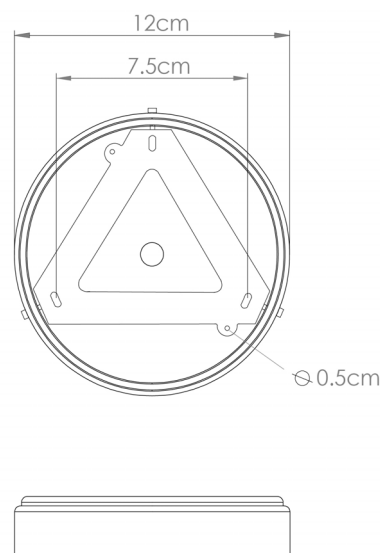
BELFAST Picture Light

MPL025POLBRS Polished Brass



MATERIAL	Brass
HEIGHT	13cm 5.12"
WIDTH DIAMETER	50.5cm 19.88"
LENGTH PROJECTION	20cm 7.87"
WEIGHT	1.2KG 2.65lbs
LAMPHOLDER	G9 x 2
MAX WATTAGE	6.5W x 2
VOLTAGE	220/240v
IP RATING	20
CLASS PROTECTION	I
SHADE	
FLEX BAR CHAIN LENGT	n/a
CABLE TYPE	

Fixing Bracket MLWB17

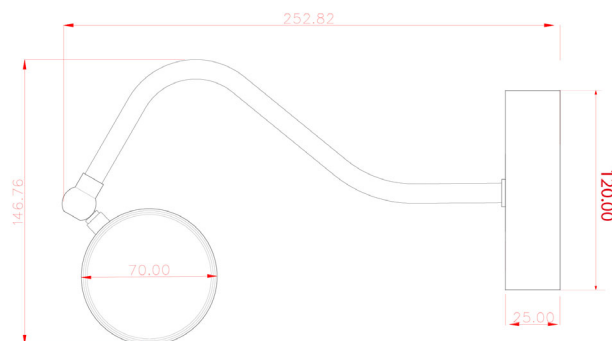


Product Notes:

1) Lamps not included with light fixture. 2) All products are individually hand crafted, therefore may differ slightly within manufacturing tolerances. 3) Please refer to: <http://www.mullanlighting.com/terms> for full list of Terms & Conditions. 4) Cable/Chain can be shortened during installation. 5) Longer Cable/Chain available on request. 6) Additional colour finishes available on request. 7.) Dimensions do not include lamps. 8.) Products wired to UL standards will operate at 110/120v with the appropriate lampholders.

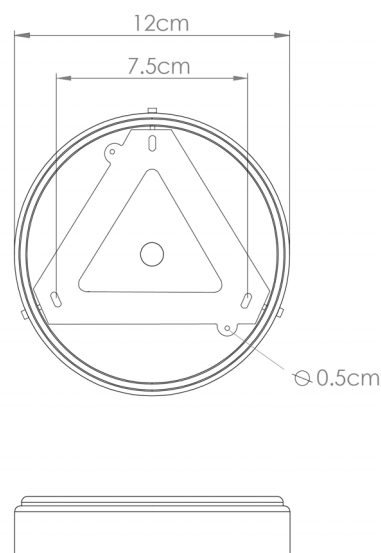
BELFAST Picture Light

MPL025SATBRS Satin Brass



MATERIAL	Brass
HEIGHT	13cm 5.12"
WIDTH DIAMETER	50.5cm 19.88"
LENGTH PROJECTION	20cm 7.87"
WEIGHT	1.2KG 2.65lbs
LAMPHOLDER	G9 x 2
MAX WATTAGE	6.5W x 2
VOLTAGE	220/240v
IP RATING	20
CLASS PROTECTION	I
SHADE	
FLEX BAR CHAIN LENGT	n/a
CABLE TYPE	

Fixing Bracket MLWB17



Product Notes:

1) Lamps not included with light fixture. 2) All products are individually hand crafted, therefore may differ slightly within manufacturing tolerances. 3) Please refer to: <http://www.mullanlighting.com/terms> for full list of Terms & Conditions. 4) Cable/Chain can be shortened during installation. 5) Longer Cable/Chain available on request. 6) Additional colour finishes available on request. 7.) Dimensions do not include lamps. 8.) Products wired to UL standards will operate at 110/120v with the appropriate lampholders.