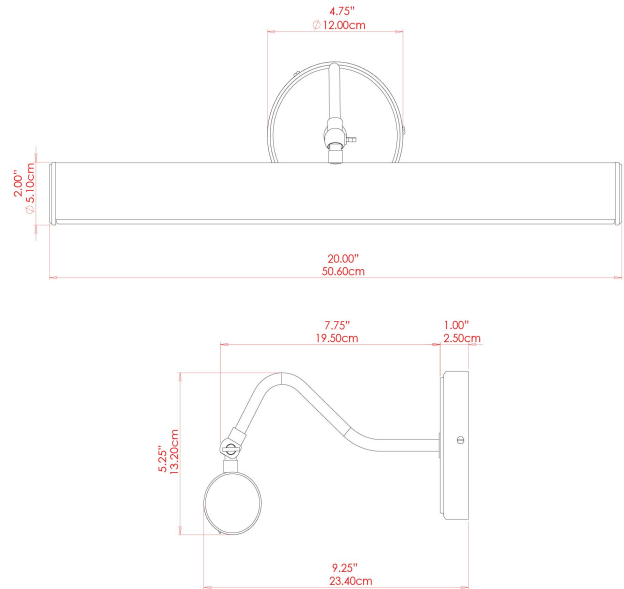


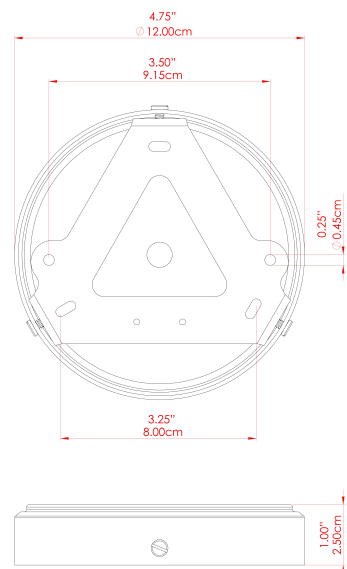
BELFAST Picture Light

MPL025ANTBRS Antique Brass



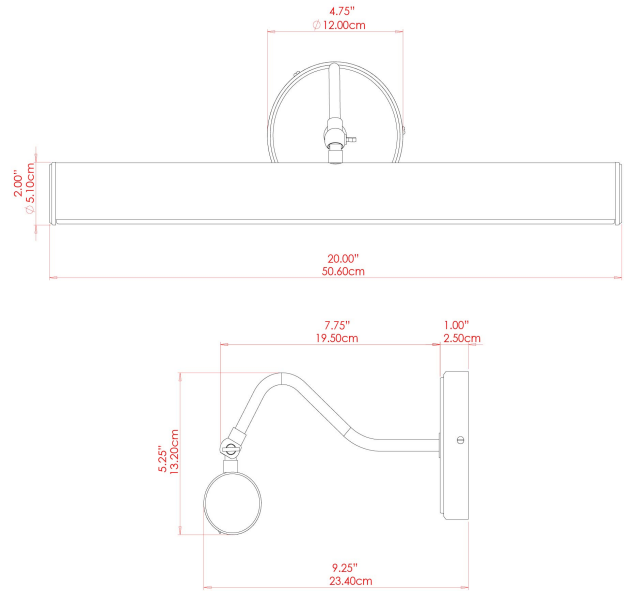
MATERIAL	Brass
HEIGHT	13cm
WIDTH DIAMETER	50.5cm
LENGTH PROJECTION	20cm
WEIGHT	1.2 kg
LAMPHOLDER	G9
MAX WATTAGE	6.5W
VOLTAGE	220/240v
IP RATING	IP20
CLASS PROTECTION	Class I
SHADE	
FLEX BAR CHAIN LENGTH	n/a
CABLE TYPE	

FIXING BRACKET: MLWB17 | Antique Brass



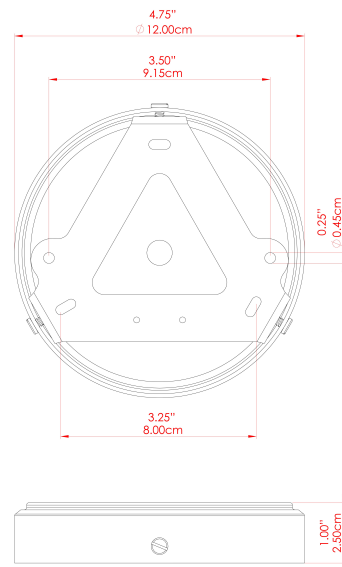
BELFAST Picture Light

MPL025PCBLK Black



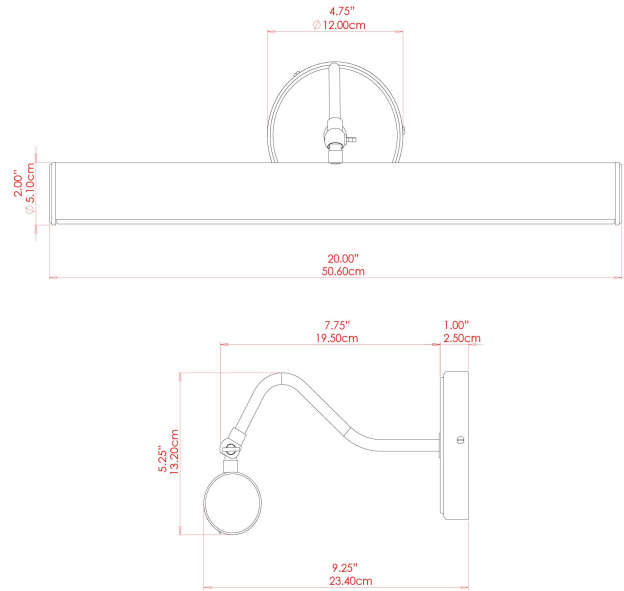
MATERIAL	Brass
HEIGHT	13cm
WIDTH DIAMETER	50.5cm
LENGTH PROJECTION	20cm
WEIGHT	1.2 kg
LAMPHOLDER	G9
MAX WATTAGE	6.5W
VOLTAGE	220/240v
IP RATING	IP20
CLASS PROTECTION	Class I
SHADE	
FLEX BAR CHAIN LENGTH	n/a
CABLE TYPE	

FIXING BRACKET: MLWB17 | Gloss Black



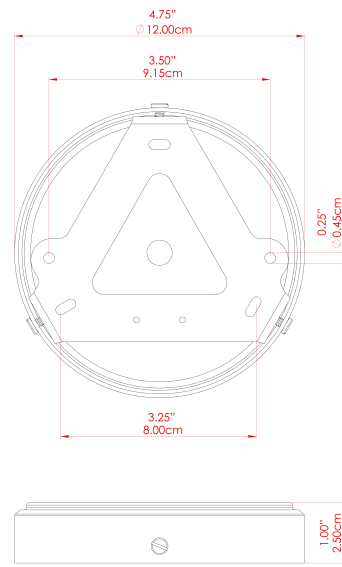
BELFAST Picture Light

MPL025PCMBK Matt Black



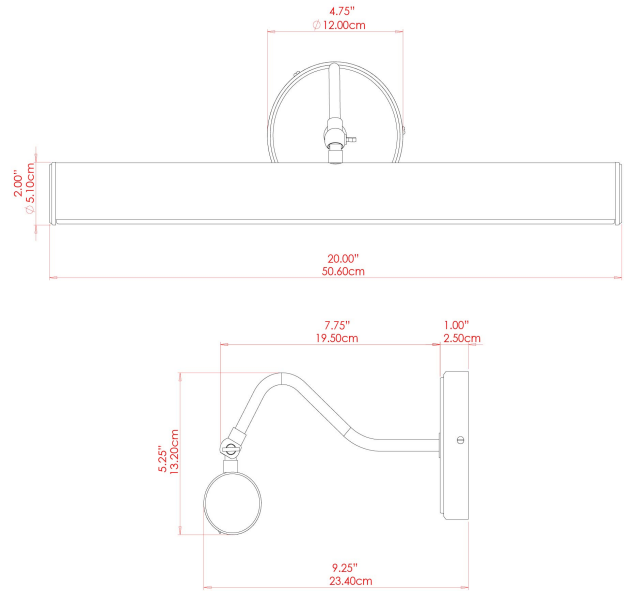
MATERIAL	Brass
HEIGHT	13cm
WIDTH DIAMETER	50.5cm
LENGTH PROJECTION	20cm
WEIGHT	1.2 kg
LAMPHOLDER	G9
MAX WATTAGE	6.5W
VOLTAGE	220/240v
IP RATING	IP20
CLASS PROTECTION	Class I
SHADE	
FLEX BAR CHAIN LENGTH	n/a
CABLE TYPE	

FIXING BRACKET: MLWB17 | Matt Black



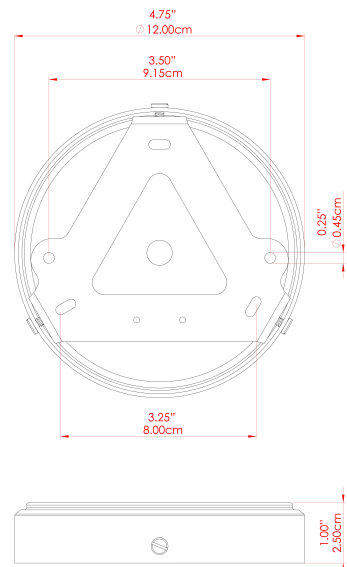
BELFAST Picture Light

MPL025POLBRS Polished Brass



MATERIAL	Brass
HEIGHT	13cm
WIDTH DIAMETER	50.5cm
LENGTH PROJECTION	20cm
WEIGHT	1.2 kg
LAMPHOLDER	G9
MAX WATTAGE	6.5W
VOLTAGE	220/240v
IP RATING	IP20
CLASS PROTECTION	Class I
SHADE	
FLEX BAR CHAIN LENGTH	n/a
CABLE TYPE	

FIXING BRACKET: MLWB17 | Polished Brass



WWW.MULLANLIGHTING.COM

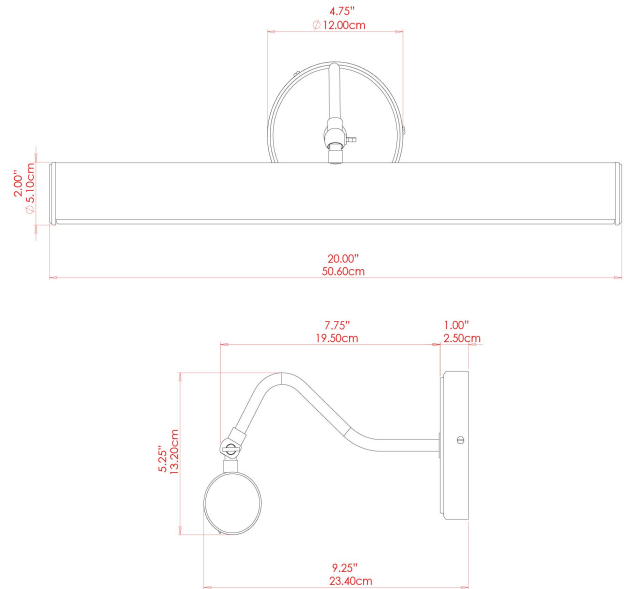
Product Notes:

1) Bulbs not included. 2) Dimensions do not include bulbs. 3) All products are individually made-to-order and therefore may differ slightly within manufacturing tolerances. 4) Cable / chain can be shortened during installation. Longer cable / chain lengths available on request. 5) Additional colour finishes may be available on request. 6) Refer to our website for a full list of terms and conditions.



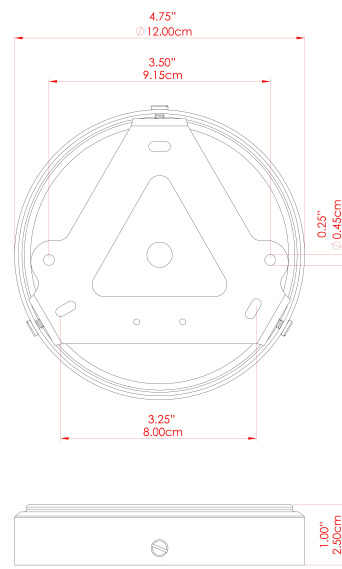
BELFAST Picture Light

MPL025SATBRS Satin Brass



MATERIAL	Brass
HEIGHT	13cm
WIDTH DIAMETER	50.5cm
LENGTH PROJECTION	20cm
WEIGHT	1.2 kg
LAMPHOLDER	G9
MAX WATTAGE	6.5W
VOLTAGE	220/240v
IP RATING	IP20
CLASS PROTECTION	Class I
SHADE	
FLEX BAR CHAIN LENGTH	n/a
CABLE TYPE	

FIXING BRACKET: MLWB17 | Satin Brass

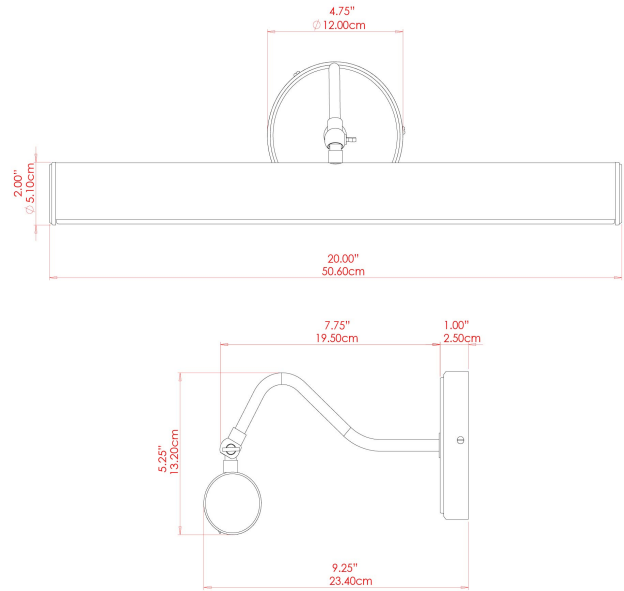


Product Notes:
 1) Bulbs not included. 2) Dimensions do not include bulbs. 3) All products are individually made-to-order and therefore may differ slightly within manufacturing tolerances. 4) Cable / chain can be shortened during installation. Longer cable / chain lengths available on request. 5) Additional colour finishes may be available on request. 6) Refer to our website for a full list of terms and conditions.



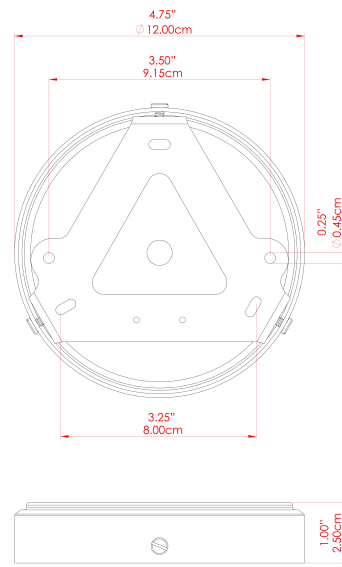
BELFAST Picture Light

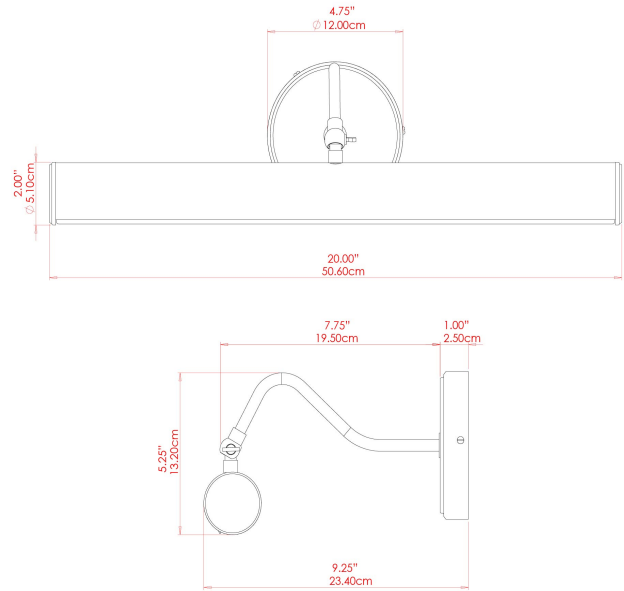
MPL025ANTSLV Antique Silver



MATERIAL	Brass
HEIGHT	13cm
WIDTH DIAMETER	50.5cm
LENGTH PROJECTION	20cm
WEIGHT	1.2 kg
LAMPHOLDER	G9
MAX WATTAGE	6.5W
VOLTAGE	220/240v
IP RATING	IP20
CLASS PROTECTION	Class I
SHADE	
FLEX BAR CHAIN LENGTH	n/a
CABLE TYPE	

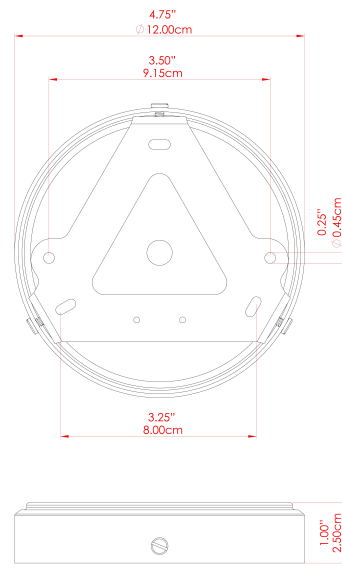
FIXING BRACKET: MLWB17 | Antique Silver

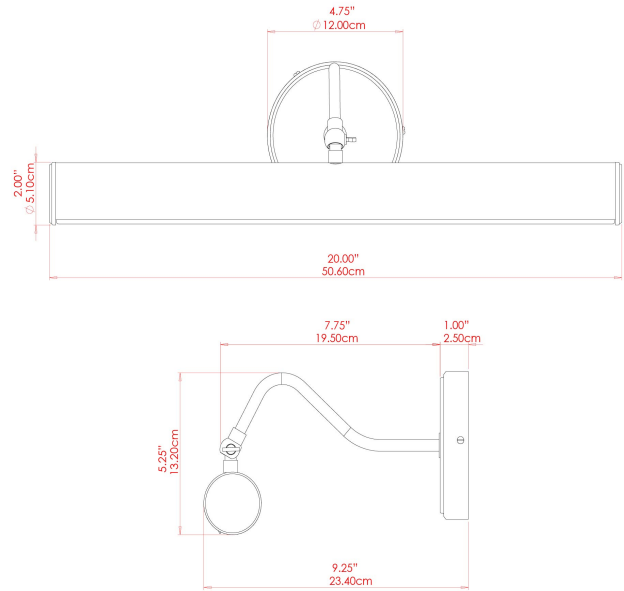




MATERIAL	Brass
HEIGHT	13cm
WIDTH DIAMETER	50.5cm
LENGTH PROJECTION	20cm
WEIGHT	1.2 kg
LAMPHOLDER	G9
MAX WATTAGE	6.5W
VOLTAGE	220/240v
IP RATING	IP20
CLASS PROTECTION	Class I
SHADE	
FLEX BAR CHAIN LENGTH	n/a
CABLE TYPE	

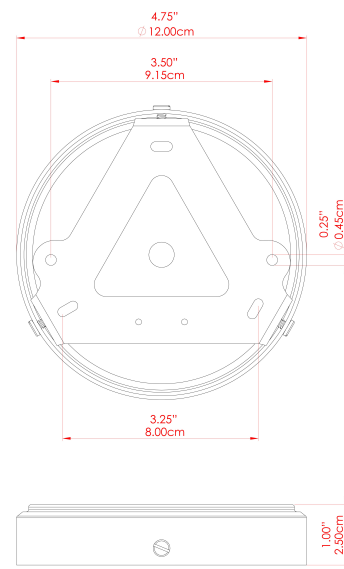
FIXING BRACKET: MLWB17 | Matt Antique Pink

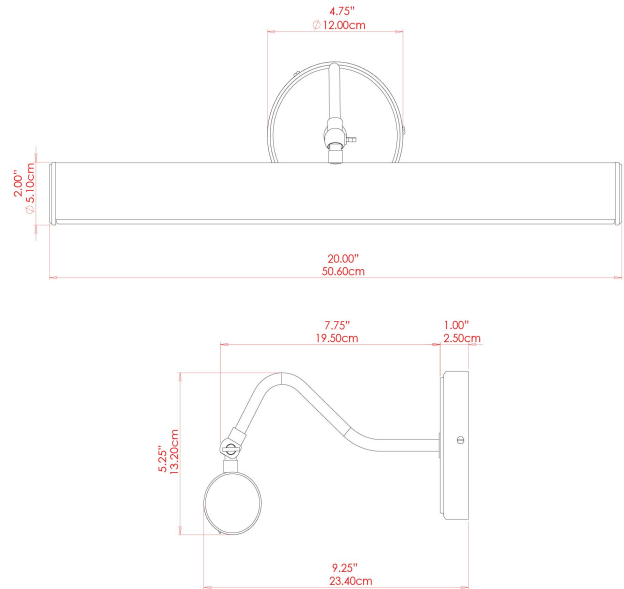




MATERIAL	Brass
HEIGHT	13cm
WIDTH DIAMETER	50.5cm
LENGTH PROJECTION	20cm
WEIGHT	1.2 kg
LAMPHOLDER	G9
MAX WATTAGE	6.5W
VOLTAGE	220/240v
IP RATING	IP20
CLASS PROTECTION	Class I
SHADE	
FLEX BAR CHAIN LENGTH	n/a
CABLE TYPE	

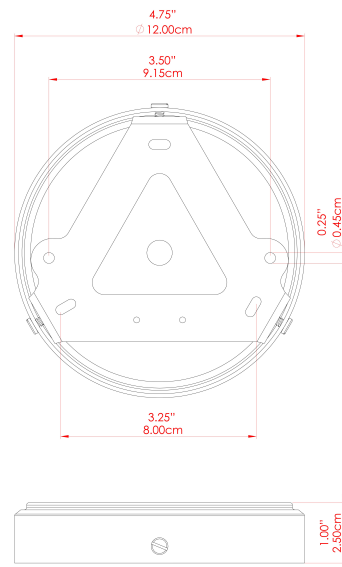
FIXING BRACKET: MLWB17 | Matt Honey Yellow

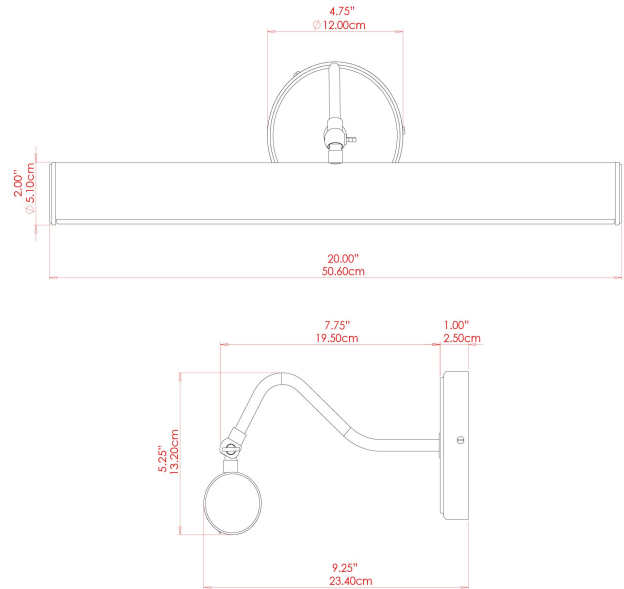




MATERIAL	Brass
HEIGHT	13cm
WIDTH DIAMETER	50.5cm
LENGTH PROJECTION	20cm
WEIGHT	1.2 kg
LAMPHOLDER	G9
MAX WATTAGE	6.5W
VOLTAGE	220/240v
IP RATING	IP20
CLASS PROTECTION	Class I
SHADE	
FLEX BAR CHAIN LENGTH	n/a
CABLE TYPE	

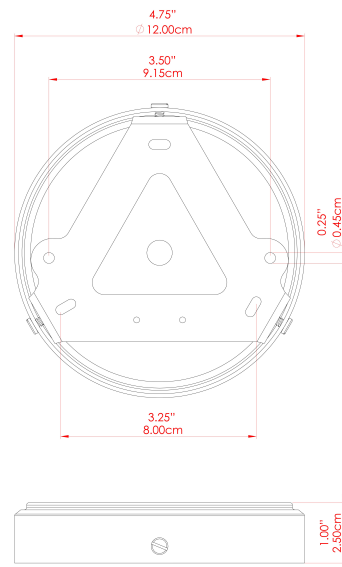
FIXING BRACKET: MLWB17 | Matt Sapphire Blue





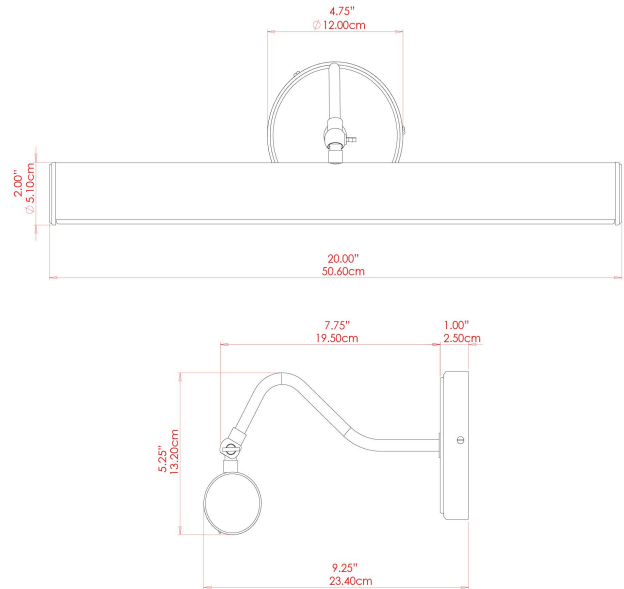
MATERIAL	Brass
HEIGHT	13cm
WIDTH DIAMETER	50.5cm
LENGTH PROJECTION	20cm
WEIGHT	1.2 kg
LAMPHOLDER	G9
MAX WATTAGE	6.5W
VOLTAGE	220/240v
IP RATING	IP20
CLASS PROTECTION	Class I
SHADE	
FLEX BAR CHAIN LENGTH	n/a
CABLE TYPE	

FIXING BRACKET: MLWB17 | Matt Mint Turquoise



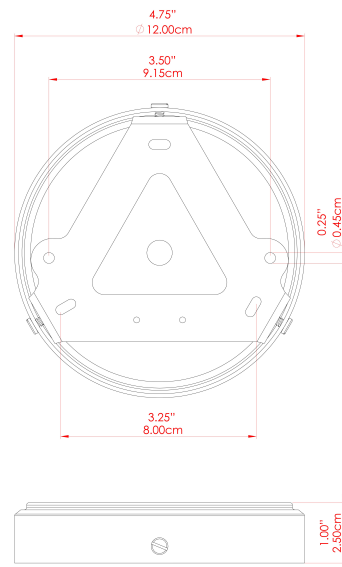
BELFAST Picture Light

MPL025PCCRM



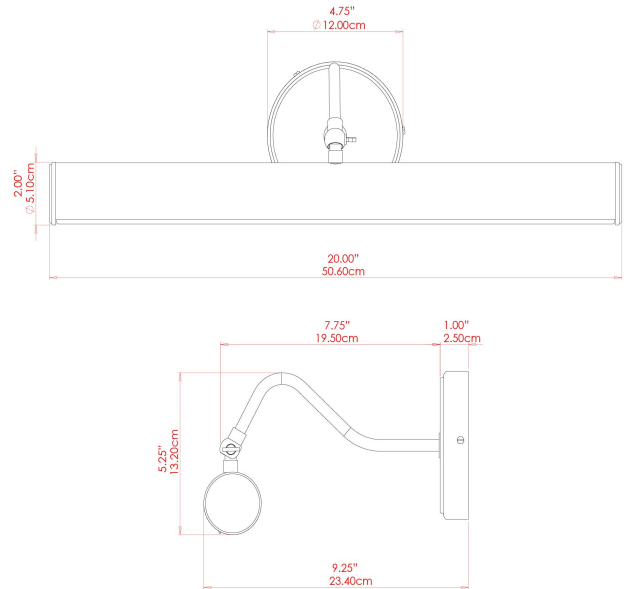
MATERIAL	Brass
HEIGHT	13cm
WIDTH DIAMETER	50.5cm
LENGTH PROJECTION	20cm
WEIGHT	1.2 kg
LAMPHOLDER	G9
MAX WATTAGE	6.5W
VOLTAGE	220/240v
IP RATING	IP20
CLASS PROTECTION	Class I
SHADE	
FLEX BAR CHAIN LENGTH	n/a
CABLE TYPE	

FIXING BRACKET: MLWB17 | Matt Vanilla Cream



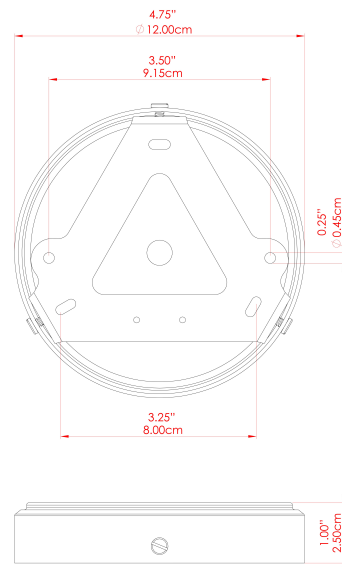
BELFAST Picture Light

MPL025PCGRN Sage Green



MATERIAL	Brass
HEIGHT	13cm
WIDTH DIAMETER	50.5cm
LENGTH PROJECTION	20cm
WEIGHT	1.2 kg
LAMPHOLDER	G9
MAX WATTAGE	6.5W
VOLTAGE	220/240v
IP RATING	IP20
CLASS PROTECTION	Class I
SHADE	
FLEX BAR CHAIN LENGTH	n/a
CABLE TYPE	

FIXING BRACKET: MLWB17 | Sage Green

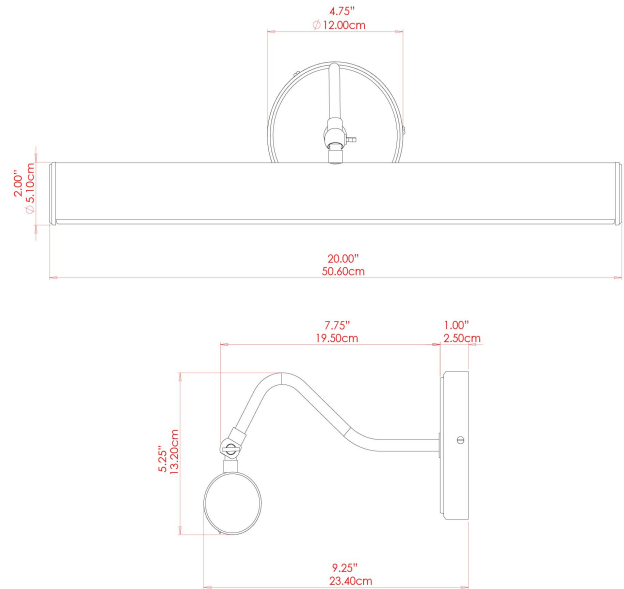


Product Notes:
 1) Bulbs not included. 2) Dimensions do not include bulbs. 3) All products are individually made-to-order and therefore may differ slightly within manufacturing tolerances. 4) Cable / chain can be shortened during installation. Longer cable / chain lengths available on request. 5) Additional colour finishes may be available on request. 6) Refer to our website for a full list of terms and conditions.



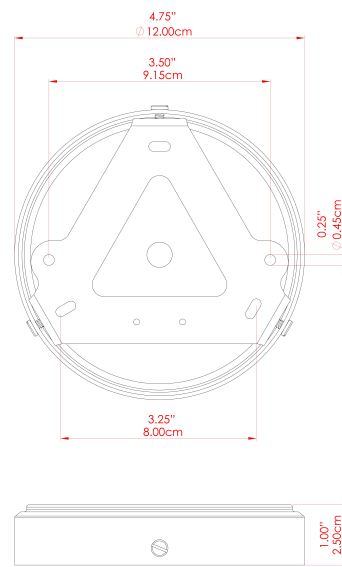
BELFAST Picture Light

MPL025PCRGR Racing Green



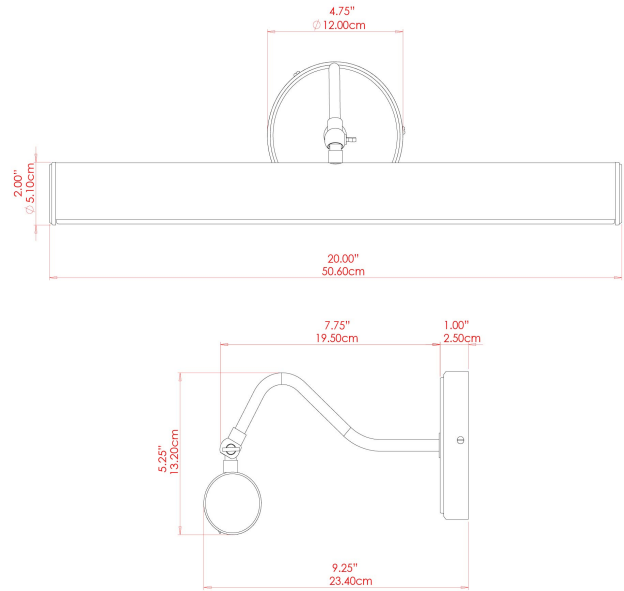
MATERIAL	Brass
HEIGHT	13cm
WIDTH DIAMETER	50.5cm
LENGTH PROJECTION	20cm
WEIGHT	1.2 kg
LAMPHOLDER	G9
MAX WATTAGE	6.5W
VOLTAGE	220/240v
IP RATING	IP20
CLASS PROTECTION	Class I
SHADE	
FLEX BAR CHAIN LENGTH	n/a
CABLE TYPE	

FIXING BRACKET: MLWB17 | Racing Green



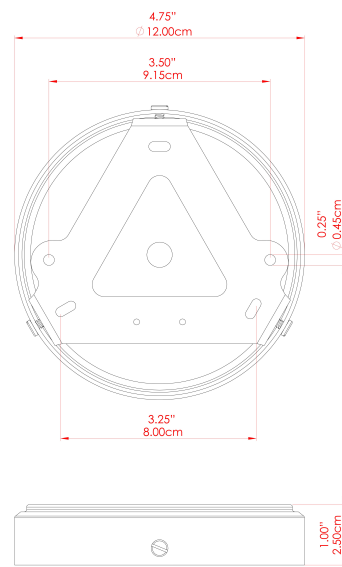
BELFAST Picture Light

MPL025PCORG Orange



MATERIAL	Brass
HEIGHT	13cm
WIDTH DIAMETER	50.5cm
LENGTH PROJECTION	20cm
WEIGHT	1.2 kg
LAMPHOLDER	G9
MAX WATTAGE	6.5W
VOLTAGE	220/240v
IP RATING	IP20
CLASS PROTECTION	Class I
SHADE	
FLEX BAR CHAIN LENGTH	n/a
CABLE TYPE	

FIXING BRACKET: MLWB17 | Orange

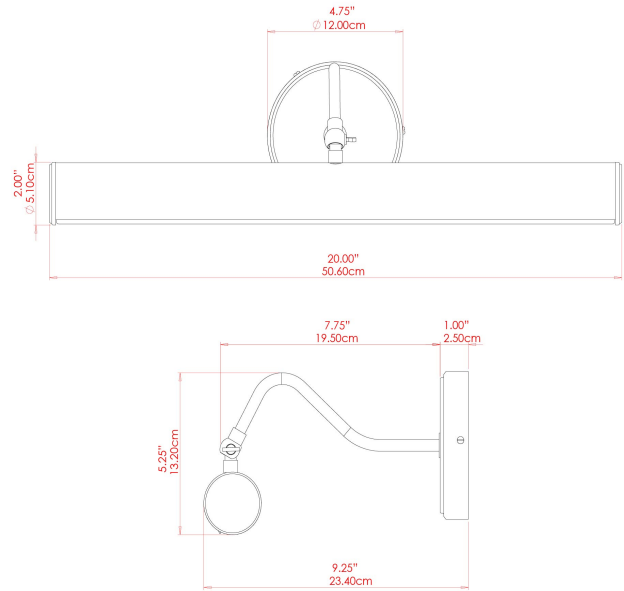


Product Notes:
 1) Bulbs not included. 2) Dimensions do not include bulbs. 3) All products are individually made-to-order and therefore may differ slightly within manufacturing tolerances. 4) Cable / chain can be shortened during installation. Longer cable / chain lengths available on request. 5) Additional colour finishes may be available on request. 6) Refer to our website for a full list of terms and conditions.



BELFAST Picture Light

MPL025PCRED Red



MATERIAL	Brass
HEIGHT	13cm
WIDTH DIAMETER	50.5cm
LENGTH PROJECTION	20cm
WEIGHT	1.2 kg
LAMPHOLDER	G9
MAX WATTAGE	6.5W
VOLTAGE	220/240v
IP RATING	IP20
CLASS PROTECTION	Class I
SHADE	
FLEX BAR CHAIN LENGTH	n/a
CABLE TYPE	

FIXING BRACKET: MLWB17 | Red

