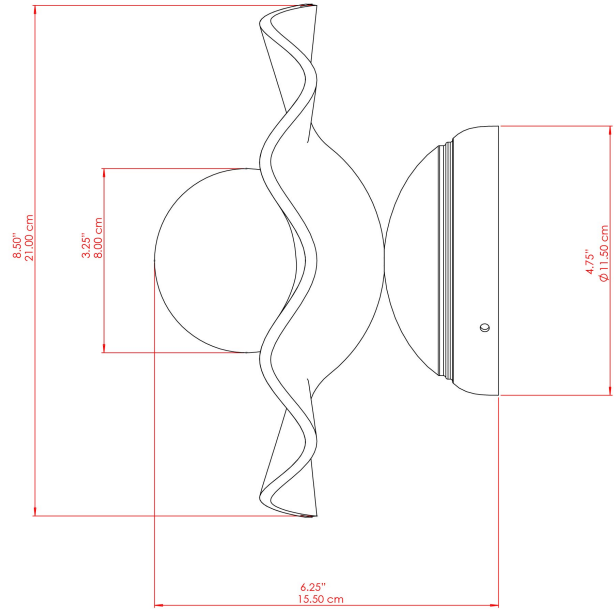


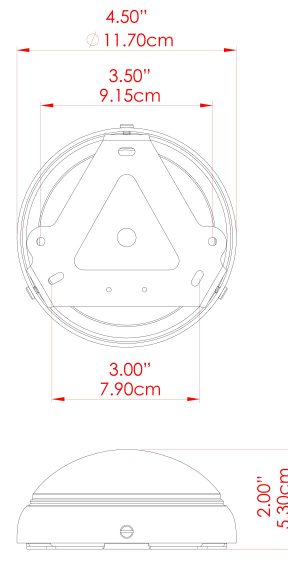
# RIVALE Ceramic Wall Light

## MLCMWL031ANTBRSOP Antique Brass



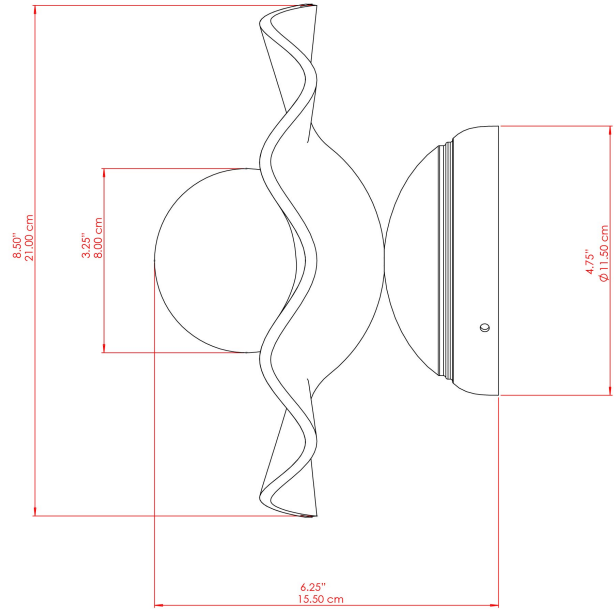
MATERIAL	Brass   Ceramic   Glass
HEIGHT	n/a
WIDTH   DIAMETER	21cm
LENGTH   PROJECTION	15.5cm
WEIGHT	0.7 kg
LAMPHOLDER	G9
MAX WATTAGE	5W
VOLTAGE	220/240v
IP RATING	IP20
CLASS PROTECTION	Class I
SHADE	GL192   MLCS061
FLEX   BAR   CHAIN LENGTH	n/a
CABLE TYPE	-

### FIXING BRACKET: MLWB11



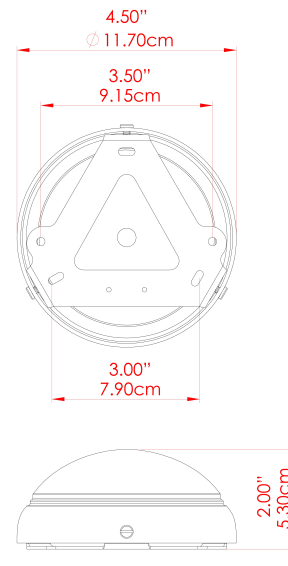
# RIVALE Ceramic Wall Light

## MLCMWL031ANTSLVOP Antique Silver



MATERIAL	Brass   Ceramic   Glass
HEIGHT	n/a
WIDTH   DIAMETER	21cm
LENGTH   PROJECTION	15.5cm
WEIGHT	0.7 kg
LAMPHOLDER	G9
MAX WATTAGE	5W
VOLTAGE	220/240v
IP RATING	IP20
CLASS PROTECTION	Class I
SHADE	GL192   MLCS061
FLEX   BAR   CHAIN LENGTH	n/a
CABLE TYPE	-

FIXING BRACKET: MLWB11



WWW.MULLANLIGHTING.COM

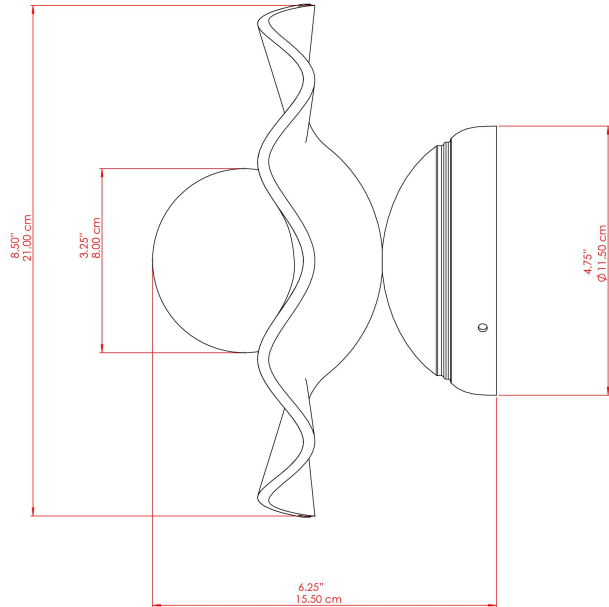
**Product Notes:**

1) Bulbs not included. 2) Dimensions do not include bulbs. 3) All products are individually made-to-order and therefore may differ slightly within manufacturing tolerances. 4) Cable / chain can be shortened during installation. Longer cable / chain lengths available on request. 5) Additional colour finishes may be available on request. 6) Refer to our website for a full list of terms and conditions.



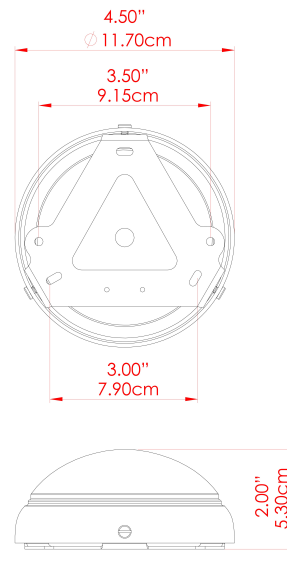
# RIVALE Ceramic Wall Light

MLCMWL031POLBRSOP Polished Brass



MATERIAL	Brass   Ceramic   Glass
HEIGHT	n/a
WIDTH   DIAMETER	21cm
LENGTH   PROJECTION	15.5cm
WEIGHT	0.7 kg
LAMPHOLDER	G9
MAX WATTAGE	5W
VOLTAGE	220/240v
IP RATING	IP20
CLASS PROTECTION	Class I
SHADE	GL192   MLCS061
FLEX   BAR   CHAIN LENGTH	n/a
CABLE TYPE	-

FIXING BRACKET: MLWB11



WWW.MULLANLIGHTING.COM

**Product Notes:**

1) Bulbs not included. 2) Dimensions do not include bulbs. 3) All products are individually made-to-order and therefore may differ slightly within manufacturing tolerances. 4) Cable / chain can be shortened during installation. Longer cable / chain lengths available on request. 5) Additional colour finishes may be available on request. 6) Refer to our website for a full list of terms and conditions.

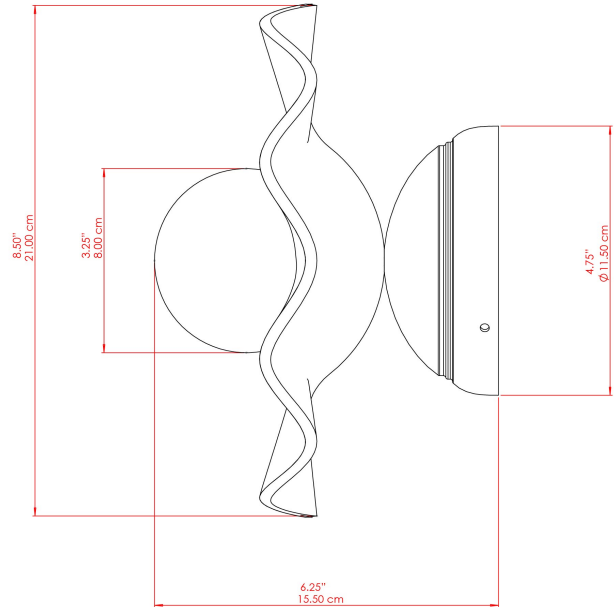


# RIVALE Ceramic Wall Light

MLCMWL031SATBR SOP Satin Brass

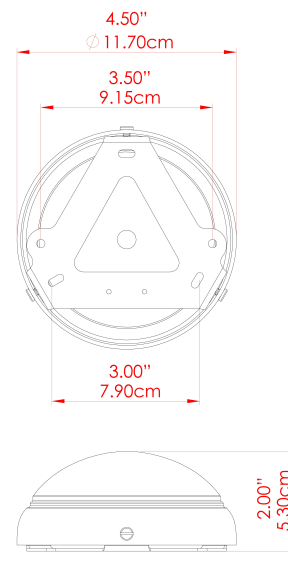


SATIN BRASS



MATERIAL	Brass   Ceramic   Glass
HEIGHT	n/a
WIDTH   DIAMETER	21cm
LENGTH   PROJECTION	15.5cm
WEIGHT	0.7 kg
LAMPHOLDER	G9
MAX WATTAGE	5W
VOLTAGE	220/240v
IP RATING	IP20
CLASS PROTECTION	Class I
SHADE	GL192   MLCS061
FLEX   BAR   CHAIN LENGTH	n/a
CABLE TYPE	-

FIXING BRACKET: MLWB11



WWW.MULLANLIGHTING.COM

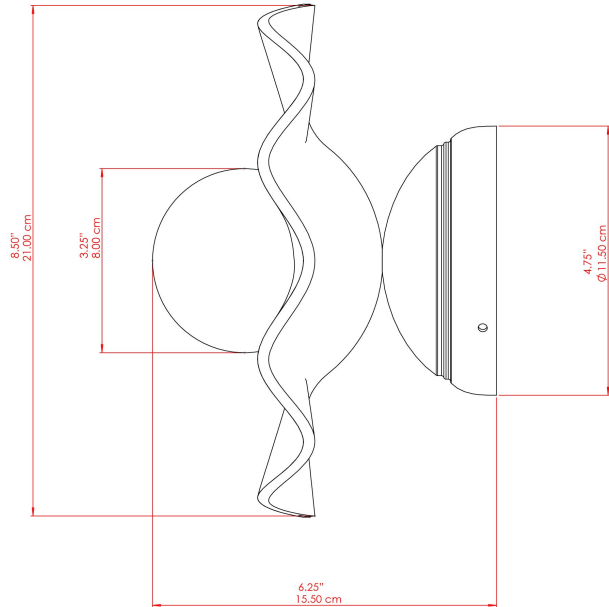
**Product Notes:**

1) Bulbs not included. 2) Dimensions do not include bulbs. 3) All products are individually made-to-order and therefore may differ slightly within manufacturing tolerances. 4) Cable / chain can be shortened during installation. Longer cable / chain lengths available on request. 5) Additional colour finishes may be available on request. 6) Refer to our website for a full list of terms and conditions.



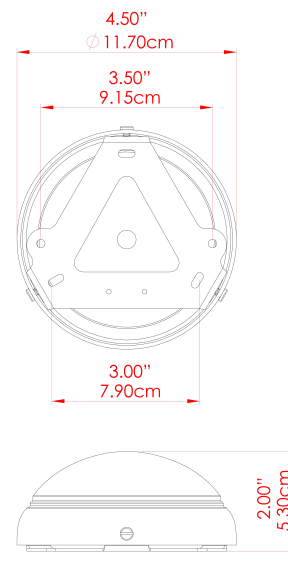
# RIVALE Ceramic Wall Light

MLCMWL031PCMBKOP Matt Black



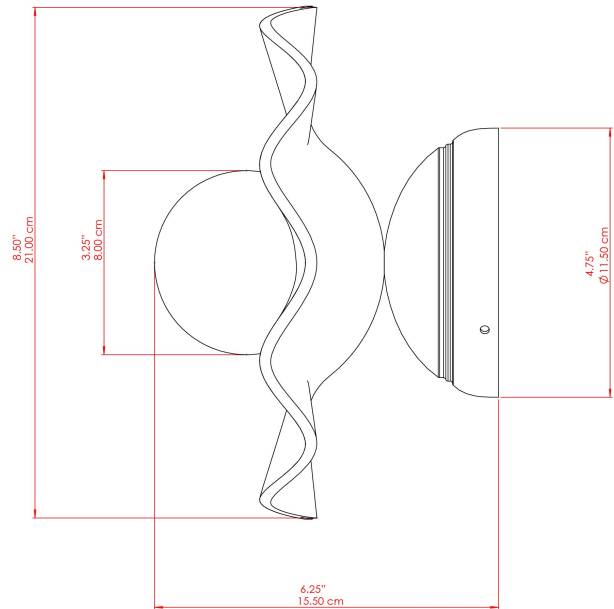
MATERIAL	Brass   Ceramic   Glass
HEIGHT	n/a
WIDTH   DIAMETER	21cm
LENGTH   PROJECTION	15.5cm
WEIGHT	0.7 kg
LAMPHOLDER	G9
MAX WATTAGE	5W
VOLTAGE	220/240v
IP RATING	IP20
CLASS PROTECTION	Class I
SHADE	GL192   MLCS061
FLEX   BAR   CHAIN LENGTH	n/a
CABLE TYPE	-

FIXING BRACKET: MLWB11



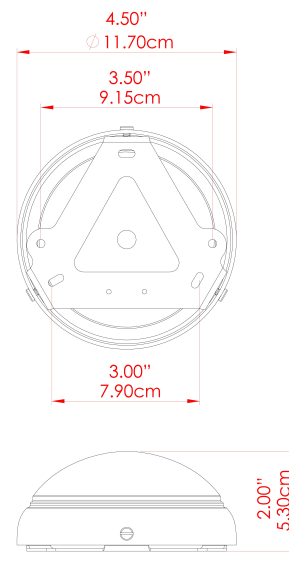
# RIVALE Ceramic Wall Light

MLCMWL031ANTBRSCl Antique Brass



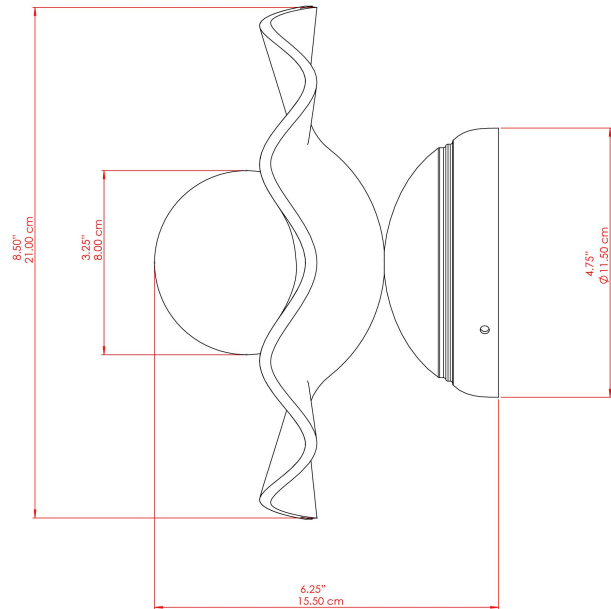
MATERIAL	Brass   Ceramic   Glass
HEIGHT	n/a
WIDTH   DIAMETER	21cm
LENGTH   PROJECTION	15.5cm
WEIGHT	0.7 kg
LAMPHOLDER	G9
MAX WATTAGE	5W
VOLTAGE	220/240v
IP RATING	IP20
CLASS PROTECTION	Class I
SHADE	GL196   MLCS061
FLEX   BAR   CHAIN LENGTH	n/a
CABLE TYPE	-

FIXING BRACKET: MLWB11



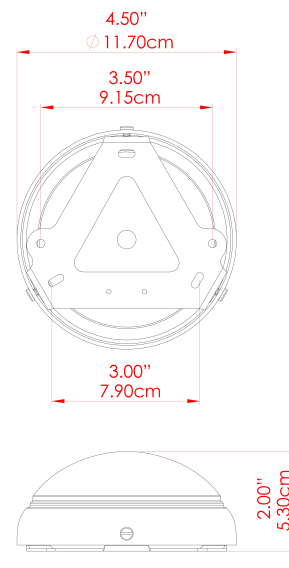
# RIVALE Ceramic Wall Light

MLCMWL031ANTBRSFR Antique Brass



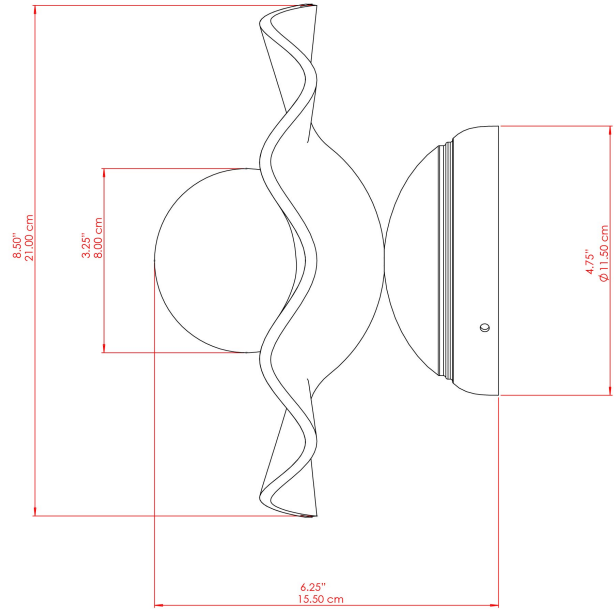
MATERIAL	Brass   Ceramic   Glass
HEIGHT	n/a
WIDTH   DIAMETER	21cm
LENGTH   PROJECTION	15.5cm
WEIGHT	0.7 kg
LAMPHOLDER	G9
MAX WATTAGE	5W
VOLTAGE	220/240v
IP RATING	IP20
CLASS PROTECTION	Class I
SHADE	GL208   MLCS061
FLEX   BAR   CHAIN LENGTH	n/a
CABLE TYPE	-

FIXING BRACKET: MLWB11



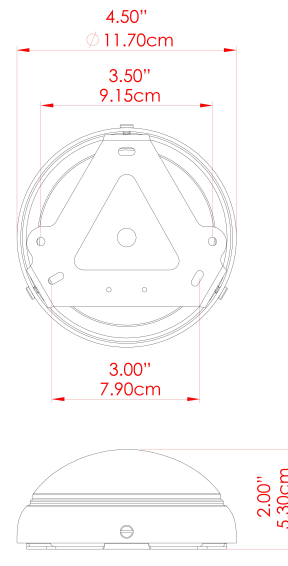
# RIVALE Ceramic Wall Light

MLCMWL031ANTSLVCL Antique Silver



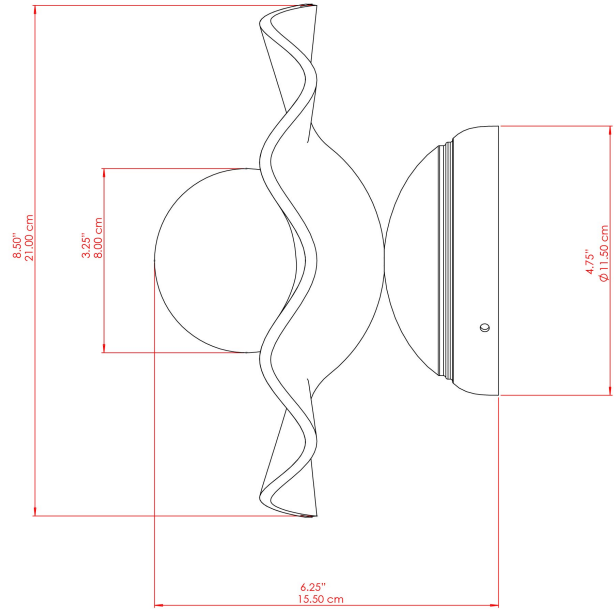
MATERIAL	Brass   Ceramic   Glass
HEIGHT	n/a
WIDTH   DIAMETER	21cm
LENGTH   PROJECTION	15.5cm
WEIGHT	0.7 kg
LAMPHOLDER	G9
MAX WATTAGE	5W
VOLTAGE	220/240v
IP RATING	IP20
CLASS PROTECTION	Class I
SHADE	GL196   MLCS061
FLEX   BAR   CHAIN LENGTH	n/a
CABLE TYPE	-

FIXING BRACKET: MLWB11



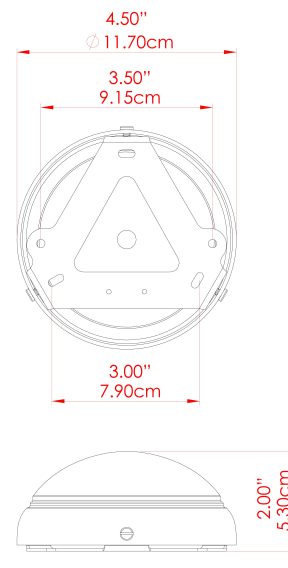
# RIVALE Ceramic Wall Light

MLCMWL031ANTSLVFR Antique Silver



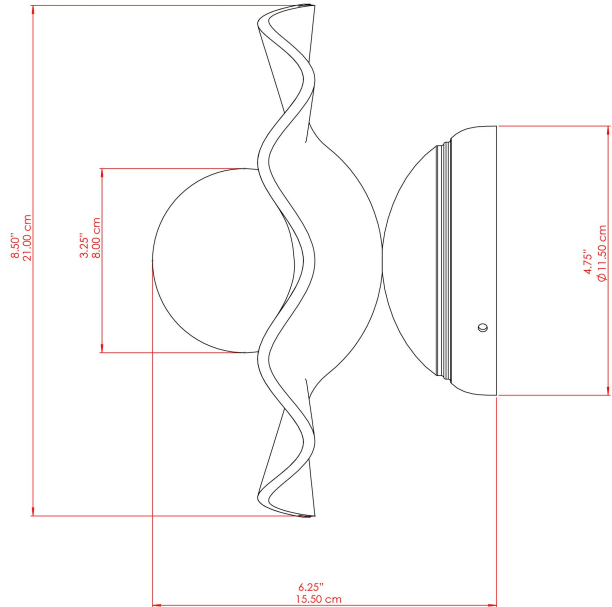
MATERIAL	Brass   Ceramic   Glass
HEIGHT	n/a
WIDTH   DIAMETER	21cm
LENGTH   PROJECTION	15.5cm
WEIGHT	0.7 kg
LAMPHOLDER	G9
MAX WATTAGE	5W
VOLTAGE	220/240v
IP RATING	IP20
CLASS PROTECTION	Class I
SHADE	GL208   MLCS061
FLEX   BAR   CHAIN LENGTH	n/a
CABLE TYPE	-

FIXING BRACKET: MLWB11



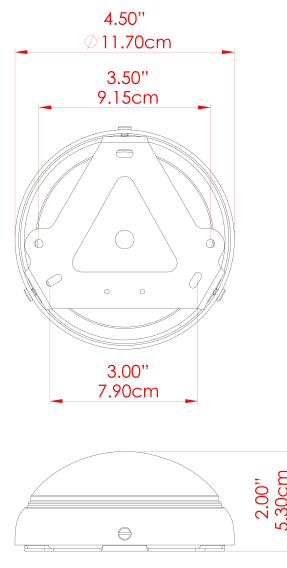
# RIVALE Ceramic Wall Light

MLCMWL031PCMBKCL Matt Black



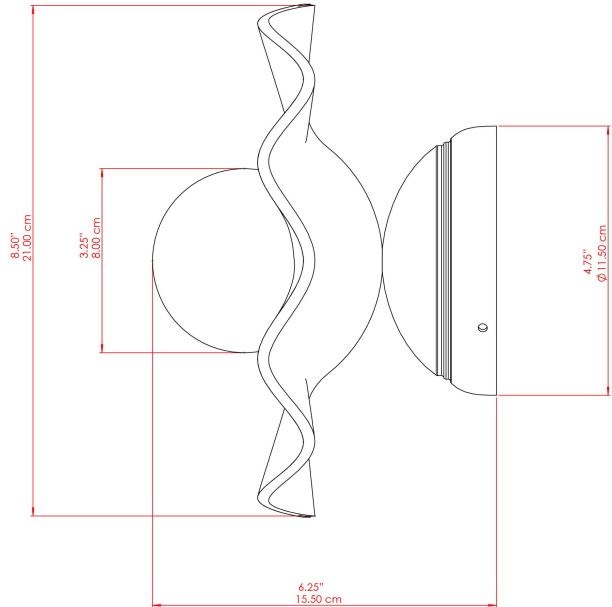
MATERIAL	Brass   Ceramic   Glass
HEIGHT	n/a
WIDTH   DIAMETER	21cm
LENGTH   PROJECTION	15.5cm
WEIGHT	0.7 kg
LAMPHOLDER	G9
MAX WATTAGE	5W
VOLTAGE	220/240v
IP RATING	IP20
CLASS PROTECTION	Class I
SHADE	GL196   MLCS061
FLEX   BAR   CHAIN LENGTH	n/a
CABLE TYPE	-

FIXING BRACKET: MLWB11



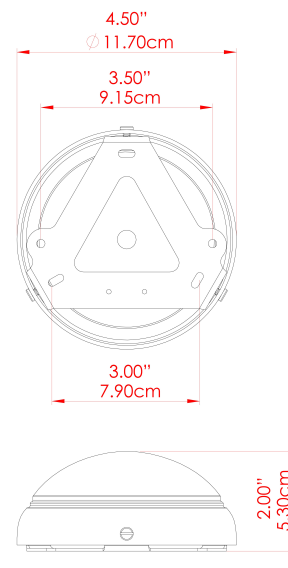
# RIVALE Ceramic Wall Light

MLCMWL031PCMBKFR Matt Black



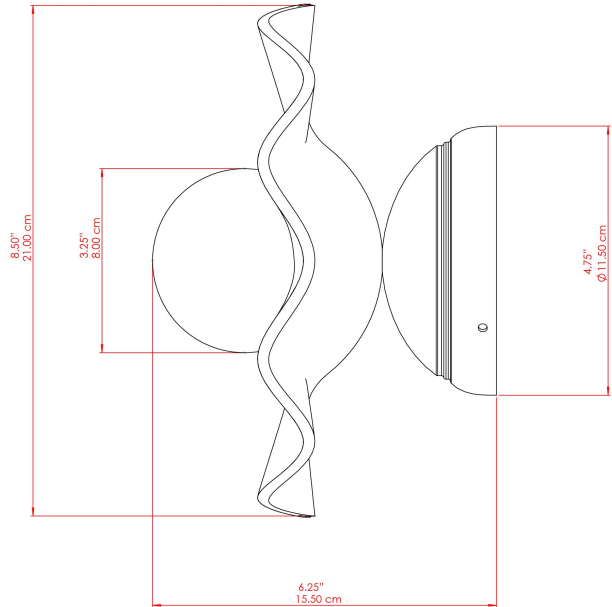
MATERIAL	Brass   Ceramic   Glass
HEIGHT	n/a
WIDTH   DIAMETER	21cm
LENGTH   PROJECTION	15.5cm
WEIGHT	0.7 kg
LAMPHOLDER	G9
MAX WATTAGE	5W
VOLTAGE	220/240v
IP RATING	IP20
CLASS PROTECTION	Class I
SHADE	GL208   MLCS061
FLEX   BAR   CHAIN LENGTH	n/a
CABLE TYPE	-

FIXING BRACKET: MLWB11



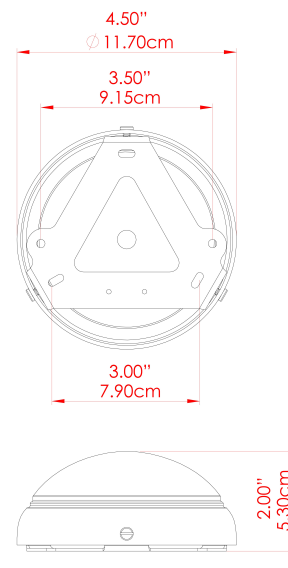
# RIVALE Ceramic Wall Light

## MLCMWL031POLBRSCS Polished Brass



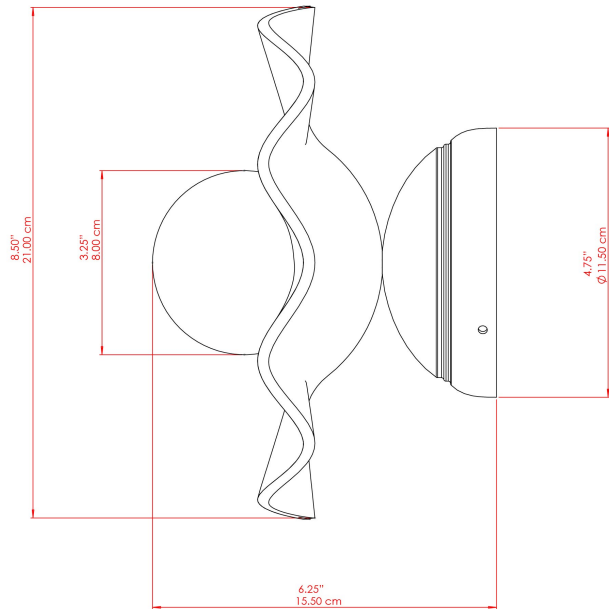
MATERIAL	Brass   Ceramic   Glass
HEIGHT	n/a
WIDTH   DIAMETER	21cm
LENGTH   PROJECTION	15.5cm
WEIGHT	0.7 kg
LAMPHOLDER	G9
MAX WATTAGE	5W
VOLTAGE	220/240v
IP RATING	IP20
CLASS PROTECTION	Class I
SHADE	GL196   MLCS061
FLEX   BAR   CHAIN LENGTH	n/a
CABLE TYPE	-

### FIXING BRACKET: MLWB11



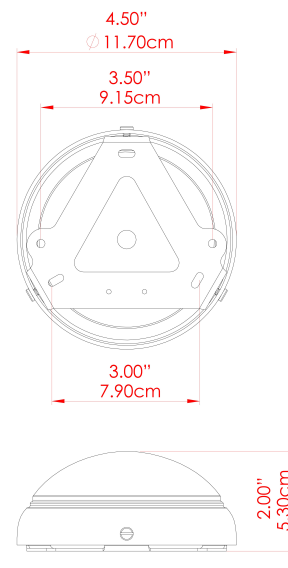
# RIVALE Ceramic Wall Light

MLCMWL031POLBRSFR Polished Brass



MATERIAL	Brass   Ceramic   Glass
HEIGHT	n/a
WIDTH   DIAMETER	21cm
LENGTH   PROJECTION	15.5cm
WEIGHT	0.7 kg
LAMPHOLDER	G9
MAX WATTAGE	5W
VOLTAGE	220/240v
IP RATING	IP20
CLASS PROTECTION	Class I
SHADE	GL208   MLCS061
FLEX   BAR   CHAIN LENGTH	n/a
CABLE TYPE	-

FIXING BRACKET: MLWB11



WWW.MULLANLIGHTING.COM

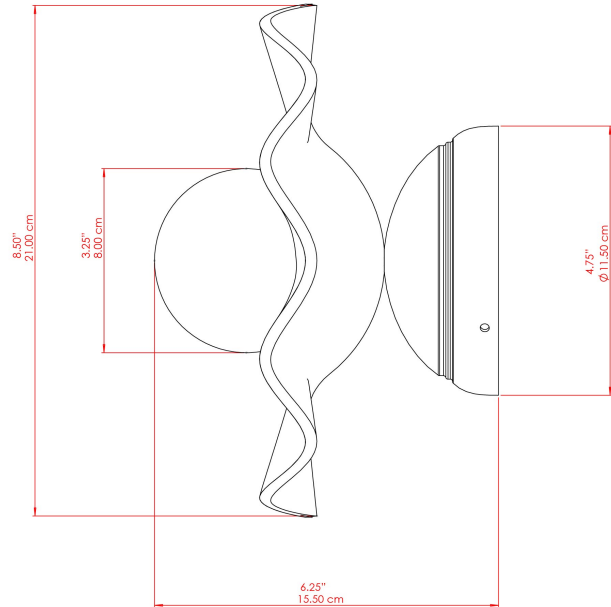
**Product Notes:**

1) Bulbs not included. 2) Dimensions do not include bulbs. 3) All products are individually made-to-order and therefore may differ slightly within manufacturing tolerances. 4) Cable / chain can be shortened during installation. Longer cable / chain lengths available on request. 5) Additional colour finishes may be available on request. 6) Refer to our website for a full list of terms and conditions.



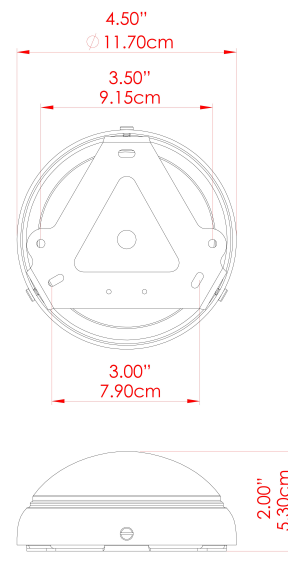
# RIVALE Ceramic Wall Light

## MLCMWL031SATBRSL Satin Brass



MATERIAL	Brass   Ceramic   Glass
HEIGHT	n/a
WIDTH   DIAMETER	21cm
LENGTH   PROJECTION	15.5cm
WEIGHT	0.7 kg
LAMPHOLDER	G9
MAX WATTAGE	5W
VOLTAGE	220/240v
IP RATING	IP20
CLASS PROTECTION	Class I
SHADE	GL196   MLCS061
FLEX   BAR   CHAIN LENGTH	n/a
CABLE TYPE	-

### FIXING BRACKET: MLWB11



WWW.MULLANLIGHTING.COM

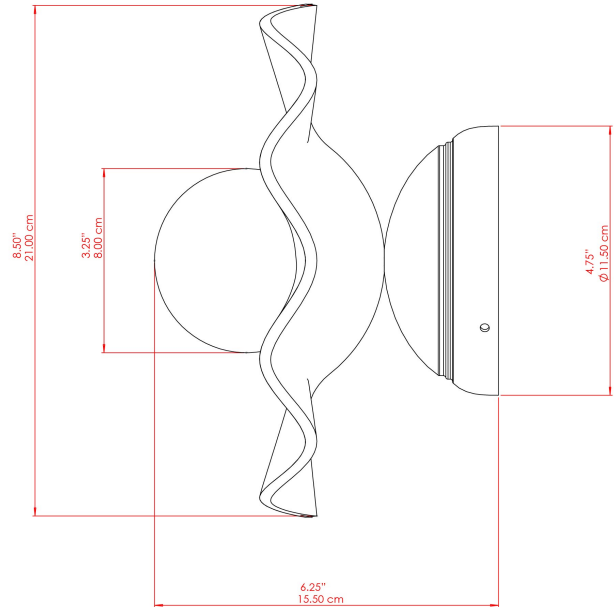
#### Product Notes:

1) Bulbs not included. 2) Dimensions do not include bulbs. 3) All products are individually made-to-order and therefore may differ slightly within manufacturing tolerances. 4) Cable / chain can be shortened during installation. Longer cable / chain lengths available on request. 5) Additional colour finishes may be available on request. 6) Refer to our website for a full list of terms and conditions.



# RIVALE Ceramic Wall Light

MLCMWL031SATBRSFR Satin Brass



MATERIAL	Brass   Ceramic   Glass
HEIGHT	n/a
WIDTH   DIAMETER	21cm
LENGTH   PROJECTION	15.5cm
WEIGHT	0.7 kg
LAMPHOLDER	G9
MAX WATTAGE	5W
VOLTAGE	220/240v
IP RATING	IP20
CLASS PROTECTION	Class I
SHADE	GL208   MLCS061
FLEX   BAR   CHAIN LENGTH	n/a
CABLE TYPE	-

FIXING BRACKET: MLWB11

