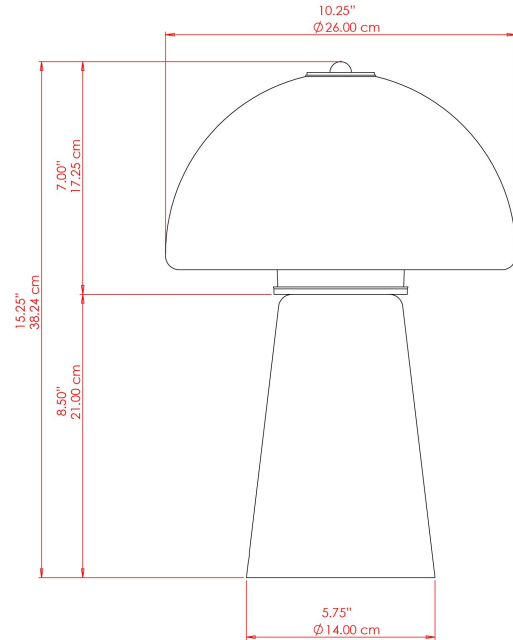


CHAMPIGNON Ceramic Table Lamp

MLCMTL051ANTBRS Antique Brass



MATERIAL	Brass Ceramic Steel Glass
HEIGHT	38.25cm
WIDTH DIAMETER	26cm
LENGTH PROJECTION	n/a
WEIGHT	3.3 kg
LAMPHOLDER	E27
MAX WATTAGE	40W
VOLTAGE	220/240v
IP RATING	IP20
CLASS PROTECTION	Class I
SHADE	GL203
FLEX BAR CHAIN LENGTH	n/a
CABLE TYPE	MLCA029 Black Fabric Braided Cable 3 Core Round

FIXING BRACKET: -



WWW.MULLANLIGHTING.COM

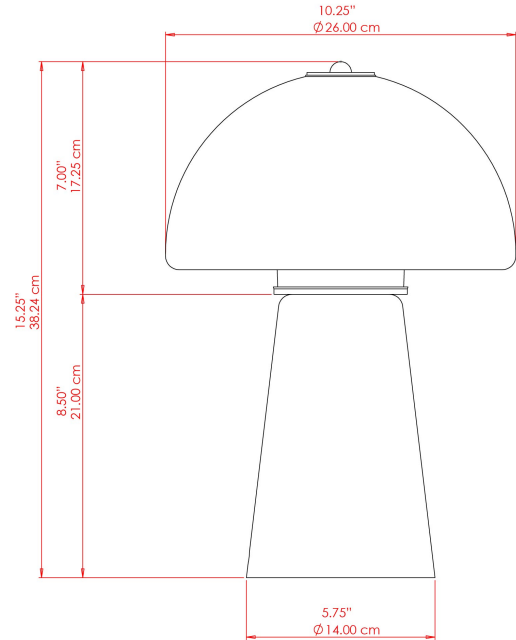
Product Notes:

1) Bulbs not included. 2) Dimensions do not include bulbs. 3) All products are individually made-to-order and therefore may differ slightly within manufacturing tolerances. 4) Cable / chain can be shortened during installation. Longer cable / chain lengths available on request. 5) Additional colour finishes may be available on request. 6) Refer to our website for a full list of terms and conditions.



CHAMPIGNON Ceramic Table Lamp

MLCMTL051ANTSLV Antique Silver



MATERIAL	Brass Ceramic Steel Glass
HEIGHT	38.25cm
WIDTH DIAMETER	26cm
LENGTH PROJECTION	n/a
WEIGHT	3.3 kg
LAMPHOLDER	E27
MAX WATTAGE	40W
VOLTAGE	220/240v
IP RATING	IP20
CLASS PROTECTION	Class I
SHADE	GL203
FLEX BAR CHAIN LENGTH	n/a
CABLE TYPE	MLCA029 Black Fabric Braided Cable 3 Core Round

FIXING BRACKET: -



WWW.MULLANLIGHTING.COM

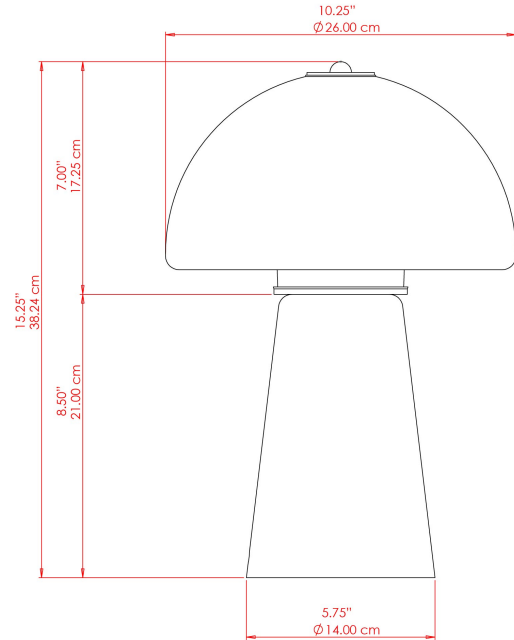
Product Notes:

1) Bulbs not included. 2) Dimensions do not include bulbs. 3) All products are individually made-to-order and therefore may differ slightly within manufacturing tolerances. 4) Cable / chain can be shortened during installation. Longer cable / chain lengths available on request. 5) Additional colour finishes may be available on request. 6) Refer to our website for a full list of terms and conditions.





CHAMPIGNON Ceramic Table Lamp MLCMTL051POLBRS Polished Brass



MATERIAL	Brass Ceramic Steel Glass	FIXING BRACKET: -
HEIGHT	38.25cm	
WIDTH DIAMETER	26cm	
LENGTH PROJECTION	n/a	
WEIGHT	3.3 kg	
LAMPHOLDER	E27	
MAX WATTAGE	40W	
VOLTAGE	220/240v	
IP RATING	IP20	
CLASS PROTECTION	Class I	
SHADE	GL203	
FLEX BAR CHAIN LENGTH	n/a	
CABLE TYPE	MLCA029 Black Fabric Braided Cable 3 Core Round	



WWW.MULLANLIGHTING.COM

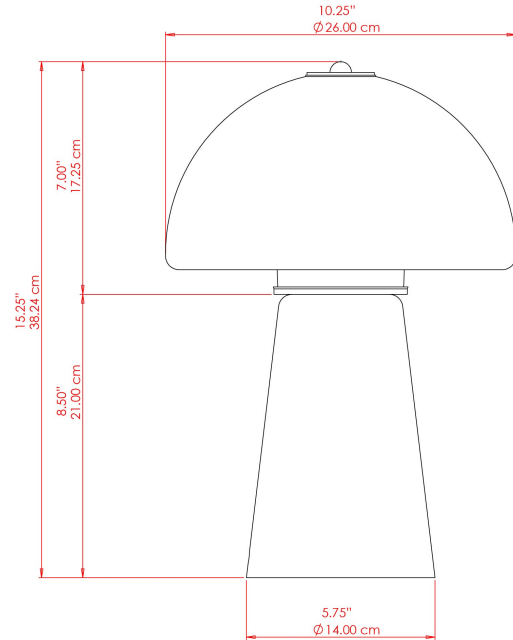
Product Notes:

1) Bulbs not included. 2) Dimensions do not include bulbs. 3) All products are individually made-to-order and therefore may differ slightly within manufacturing tolerances. 4) Cable / chain can be shortened during installation. Longer cable / chain lengths available on request. 5) Additional colour finishes may be available on request. 6) Refer to our website for a full list of terms and conditions.



CHAMPIGNON Ceramic Table Lamp

MLCMTL051SATBRS Satin Brass



MATERIAL	Brass Ceramic Steel Glass
HEIGHT	38.25cm
WIDTH DIAMETER	26cm
LENGTH PROJECTION	n/a
WEIGHT	3.3 kg
LAMPHOLDER	E27
MAX WATTAGE	40W
VOLTAGE	220/240v
IP RATING	IP20
CLASS PROTECTION	Class I
SHADE	GL203
FLEX BAR CHAIN LENGTH	n/a
CABLE TYPE	MLCA029 Black Fabric Braided Cable 3 Core Round

FIXING BRACKET: -



Product Notes:
 1) Bulbs not included. 2) Dimensions do not include bulbs. 3) All products are individually made-to-order and therefore may differ slightly within manufacturing tolerances. 4) Cable / chain can be shortened during installation. Longer cable / chain lengths available on request. 5) Additional colour finishes may be available on request. 6) Refer to our website for a full list of terms and conditions.

